



JN0-1331^{Q&As}

Security Design - Specialist (JNCDS-SEC)

Pass Juniper JN0-1331 Exam with 100% Guarantee

Free Download Real Questions & Answers **PDF** and **VCE** file from:

<https://www.pass4itsure.com/jn0-1331.html>

100% Passing Guarantee
100% Money Back Assurance

Following Questions and Answers are all new published by Juniper
Official Exam Center

-  **Instant Download** After Purchase
-  **100% Money Back** Guarantee
-  **365 Days** Free Update
-  **800,000+** Satisfied Customers





QUESTION 1

You have a campus location with multiple WAN links. You want to specify the primary link used for your VoIP traffic.

In this scenario, which type of WAN load balancing would you use?

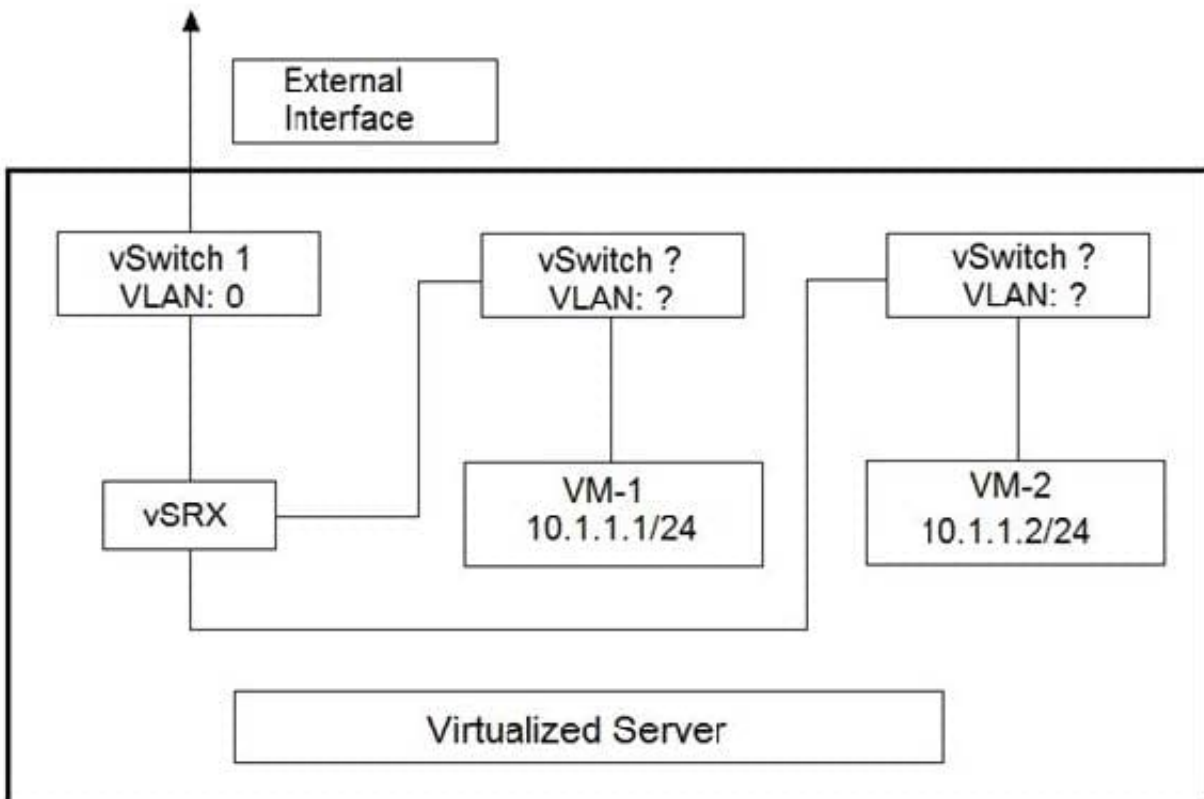
- A. BGP
- B. OSPF
- C. FBF
- D. ECMP

Correct Answer: C

Reference: https://www.juniper.net/documentation/en_US/junos/topics/topic-map/security-applicationadvanced-policy-based-routing.html

QUESTION 2

Click the Exhibit button.



You are designing the virtualized server deployment shown in the exhibit in your data center. The vSRX device is acting as a Layer 2 firewall and the two VMs must communicate through the vSRX device.



Which two actions must you perform to accomplish this task? (Choose two.)

- A. Place both VMs in the same vSwitch
- B. Place both VMs in the same VLAN
- C. Place both VMs in different vSwitches
- D. Place both VMs in different VLANs

Correct Answer: BC

QUESTION 3

You are asked to design a security solution for your client's new two-tier data center. The client has a need for some flows to bypass firewall inspection entirely.

Where should the firewall be deployed in this data center?

- A. inline, between the core switches and the access switches
- B. inline, between the core switches and the edge routers
- C. one-arm configuration, connected to the core switches
- D. one-arm configuration, connected to each access switch

Correct Answer: C

Reference: <https://www.juniper.net/us/en/local/pdf/implementation-guides/8010046-en.pdf>

QUESTION 4

You are designing an enterprise WAN network that must connect multiple sites. You must provide a design proposal for the security elements needed to encrypt traffic between the remote sites.

Which feature will secure the traffic?

- A. BFD
- B. OSPF
- C. GRE
- D. IPsec

Correct Answer: D

QUESTION 5

You have a site that has two Internet connections but no switch on the outside of the firewall. You want to use ISP-A



over ISP-B during normal operations.

Which type of chassis cluster design would you propose to satisfy this requirement?

- A. Propose active/active cluster deployment with separate redundancy groups
- B. Propose active/passive cluster deployment with separate redundancy groups
- C. Propose active/active cluster deployment without separate redundancy groups
- D. Propose active/passive cluster deployment without separate redundancy groups

Correct Answer: A

Reference: https://www.juniper.net/documentation/en_US/release-independent/nce/topics/example/chassis-cluster-srx-active-active-configuring.html

[Latest JN0-1331 Dumps](#)

[JN0-1331 PDF Dumps](#)

[JN0-1331 Study Guide](#)