



JN0-1302^{Q&As}

Data Center Design Specialist (JNCDS-DC)

Pass Juniper JN0-1302 Exam with 100% Guarantee

Free Download Real Questions & Answers **PDF** and **VCE** file from:

<https://www.pass4itsure.com/jn0-1302.html>

100% Passing Guarantee
100% Money Back Assurance

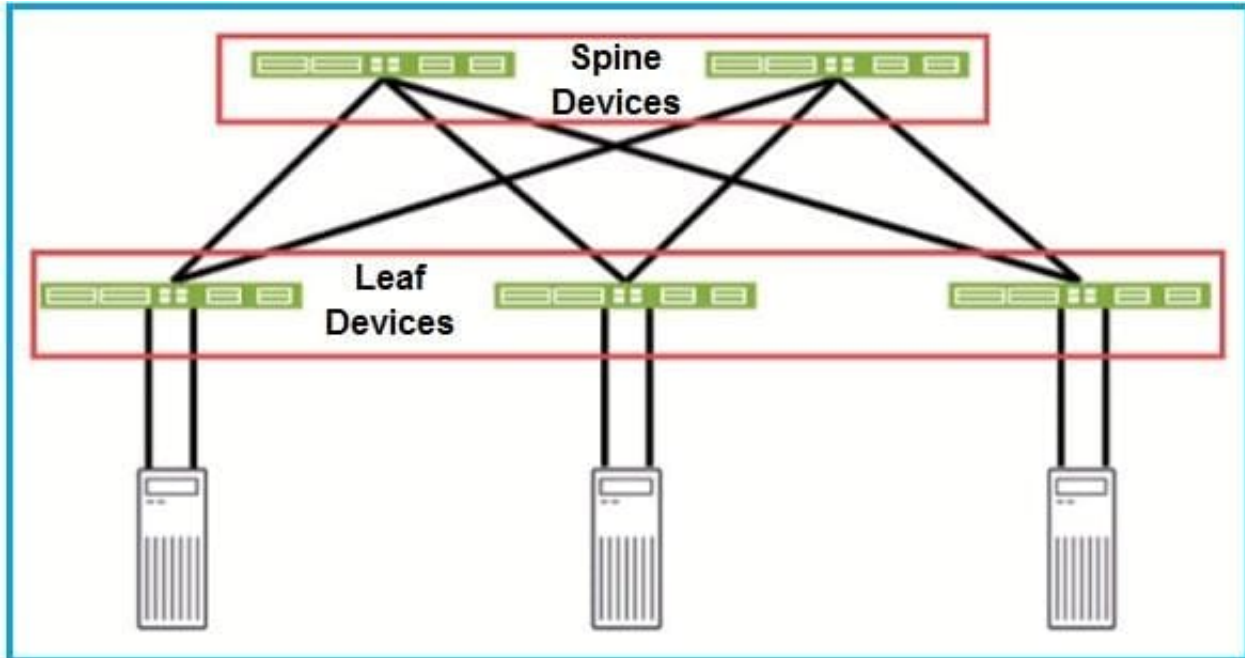
Following Questions and Answers are all new published by Juniper
Official Exam Center

-  **Instant Download** After Purchase
-  **100% Money Back** Guarantee
-  **365 Days** Free Update
-  **800,000+** Satisfied Customers



**QUESTION 1**

Click the Exhibit button.



Referring to the exhibit, which two statements are true? (Choose two.)

- A. You should use CoS rewrite rules for traffic coming into the leaf devices.
- B. You should use CoS rewrite rules for traffic leaving the leaf devices.
- C. You should use CoS rewrite rules for traffic leaving the spine devices.
- D. You should use CoS rewrite rules for traffic coming into the spine devices.

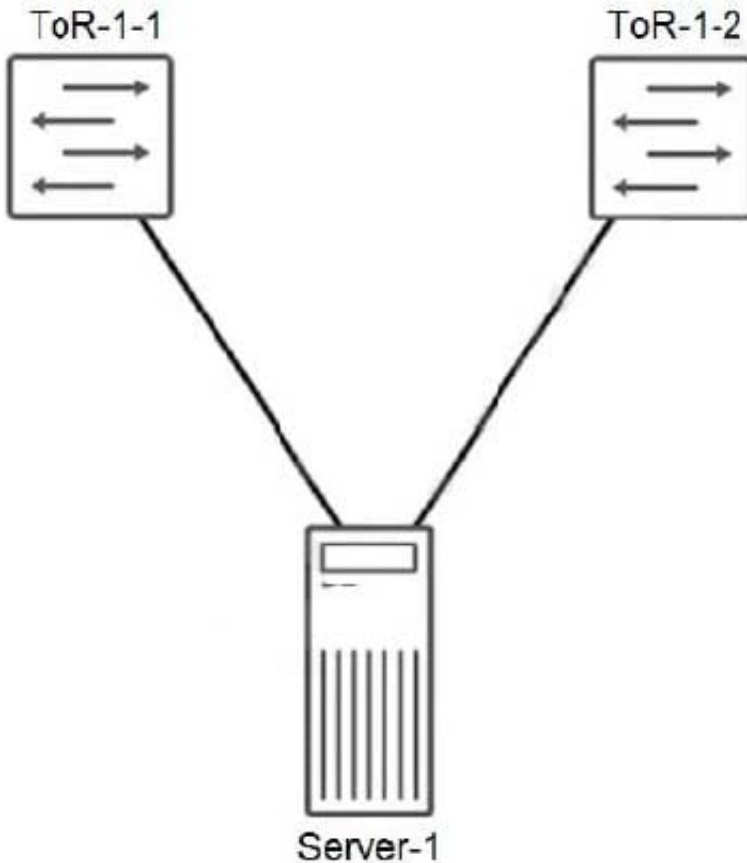
Correct Answer: BC

QUESTION 2

You have a highly latency-sensitive application that is mission critical to your company's operation. In this scenario, what will enable you to identify issues within three second accuracy?

- A. JTI
- B. RMON1
- C. LDAP
- D. RMON2

Correct Answer: A

**QUESTION 3**

You are designing a data center where all your servers in each rack will be connected to two top-of-rack (ToR) switches using Layer 2, as shown in the exhibit. You must implement a high availability solution that maintains link layer connectivity to each server when one of the ToR switches fails.

In this scenario, which solution will accomplish this task?

- A. VRRP
- B. LAG
- C. GRES with NSB
- D. MC-LAG

Correct Answer: D

QUESTION 4

Contrail Networking performs which three functions? (Choose three.)

- A. Configure physical network functions.



- B. Deploy bare metal compute devices.
- C. Perform service chain network functions.
- D. Configure storage components.
- E. Virtualize networks.

Correct Answer: ABE

QUESTION 5

You are asked to deploy data classification measures in your network. You are analyzing an e-mail and notice several employees in the cc list but the e-mail does not appear to contain any sensitive data, such as security logs or financial reports.

In this scenario, how should this data be classified?

- A. public
- B. encrypted
- C. restricted
- D. private

Correct Answer: D

[Latest JN0-1302 Dumps](#)

[JN0-1302 VCE Dumps](#)

[JN0-1302 Practice Test](#)