



# HPE6-A75<sup>Q&As</sup>

Aruba Certified Edge Professional Exam

**Pass HP HPE6-A75 Exam with 100% Guarantee**

Free Download Real Questions & Answers **PDF** and **VCE** file from:

<https://www.pass4itsure.com/hpe6-a75.html>

100% Passing Guarantee  
100% Money Back Assurance

Following Questions and Answers are all new published by HP Official Exam Center

-  **Instant Download** After Purchase
-  **100% Money Back** Guarantee
-  **365 Days** Free Update
-  **800,000+** Satisfied Customers





### QUESTION 1

Which protocol do Mobility Controllers (MCs) use to detect a failed Mobility Master (MM)?

- A. VRRP
- B. SNMP
- C. PAPI
- D. IPSec

Correct Answer: B

---

### QUESTION 2

What are Operator Profiles used for?

- A. to enforce role based access control for Aruba Controllers
- B. to enforce role based access control for ClearPass Policy Manager admin users
- C. to enforce role based access control for ClearPass Guest Admin users
- D. to assign ClearPass roles to guest users
- E. to map AD attributes to admin privilege levels in ClearPass Guest

Correct Answer: C

---

### QUESTION 3

Refer to the exhibit.

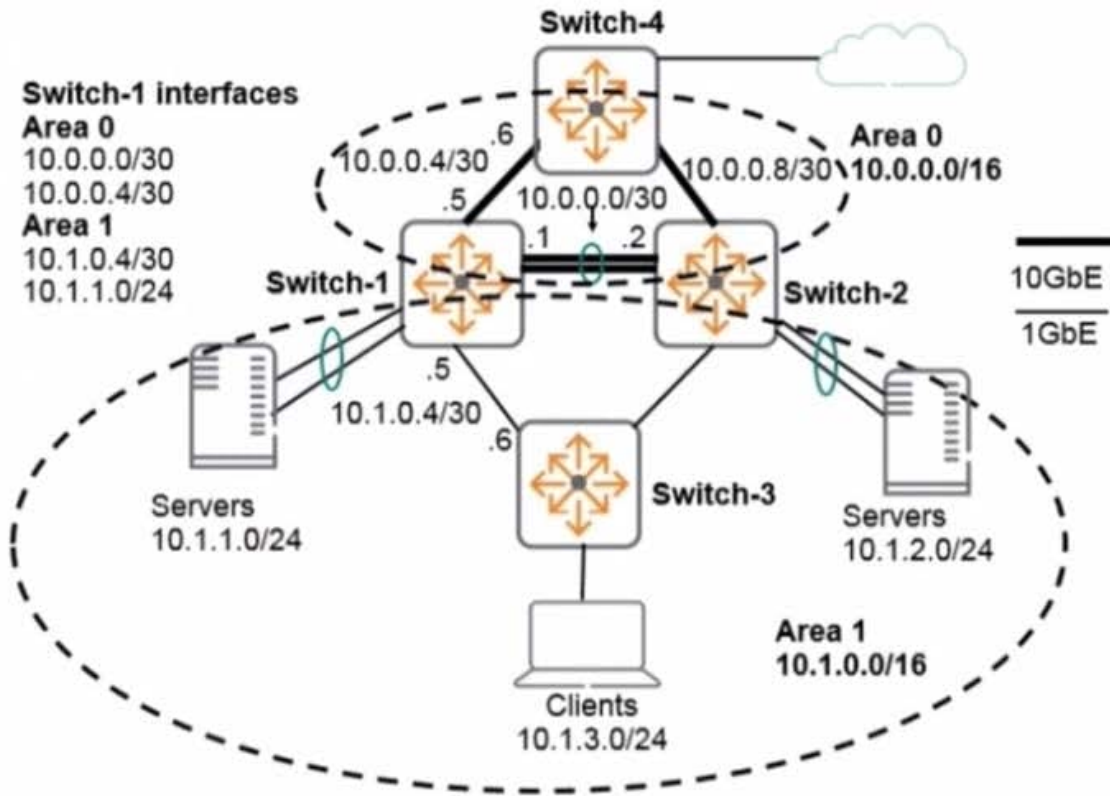




Exhibit 2

Switch-1# show ip route

IP Route Entries

Destination	Gateway	VLAN	Type	Sub-Type	Metric	Dist.
10.0.0.0/30	VLAN1000	1000	connected		5	0
10.0.0.4/30	VLAN1004	1004	connected		10	0
10.0.0.8/30	10.0.0.2	1000	ospf	IntraArea	15	110
10.1.0.4/30	VLAN104	104	connected		100	0
10.1.0.8/30	10.1.0.6	104	ospf	IntraArea	200	110
10.1.0.8/30	10.1.0.6	104	ospf	IntraArea	200	110
10.1.1.0/24	VLAN110	110	connected		50	0
10.1.2.0/24	10.1.0.6	104	ospf	IntraArea	250	110
10.1.3.0/24	10.1.0.6	104	ospf	IntraArea	200	110
10.2.0.0/16	10.0.0.6	1004	ospf	InterArea	110	110
10.3.0.0/16	10.0.0.6	1004	ospf	InterArea	110	110
127.0.0.0/8	reject		static		0	0
127.0.0.1/32	lo0		connected		1	0

Switch-1# show ip ospf neighbor

OSPF Neighbor Information

Router ID	Pri	IP Address	NbIfState	State	QLen	Events	Status
2.2.2.2	1	10.0.0.2	BDR	FULL	0	6	None
3.3.3.3	1	10.1.0.6	BDR	FULL	0	6	None
4.4.4.4	1	10.0.0.6	BDR	FULL	0	6	None

Traffic between the servers in Area 1 takes a less optimal path rather than the link associated with VLAN 1000, subnet 10.0.0.0/30. Based on the exhibits, why is this the case?

- A. The metric on the VLAN 1000 interface is too low.
- B. Switch-1 and Switch-2 cannot achieve adjacency on VLAN 1000 due to mismatches.
- C. OSPF routing switches choose the best intra-area routes based on Area 1 links only.
- D. The link between Switch-1 and Switch-2 has gone down.

Correct Answer: C

QUESTION 4

Refer to the exhibit.



Configuration » Authentication » Sources » Add - remotelab AD

## Authentication Sources - remotelab AD

Summary	General	Primary	Attributes
Specify filter queries used to fetch authentication and authorization attributes			
Filter Name	Attribute Name	Alias Name	Enabled As
1. Authentication	dn	UserDN	-
	department	Department	Role, Attribute
	title	Title	Attribute
	company	company	-
	memberOf	memberOf	Role, Attribute
	telephoneNumber	Phone	Attribute
	mail	Email	Attribute

Exhibit: accp67-312

Based on the Attribute configuration shown, which statement accurately describes the status of attribute values?

- A. Only the attribute values of department and memberOf can be used in role mapping policies.
- B. The attribute values of department, title, memberOf, telephoneNumber, and mail are directly applied as ClearPass.
- C. Only the attribute value of company can be used in role mapping policies, not the other attributes.
- D. The attribute values of department and memberOf are directly applied as ClearPass roles.
- E. Only the attribute values of title, telephoneNumber, and mail can be used in role mapping policies.

Correct Answer: D

### QUESTION 5

OSPF is configured on an AOS-Switch, and the network administrator sets the router ID to 10.0.0.1. The administrator wants to be able to reach the switch at this ID from any location throughout the OSPF system. The administrator also needs the router ID to be stable and available, even if some links on the switch fail.

What should the administrator do?

- A. Make sure that 10.0.0.1 is the IP address on the VLAN with the lowest ID.
- B. Configure 10.0.0.1 on a loopback interface, and enable OSPF on that interface.
- C. Configure 10.0.0.1 as a manual OSPF neighbor on each switch in the OSPF system.
- D. Configure 10.0.0.1 as a secondary IP address on the switch 00BM poet.

Correct Answer: B