



HPE6-A75^{Q&As}

Aruba Certified Edge Professional Exam

Pass HP HPE6-A75 Exam with 100% Guarantee

Free Download Real Questions & Answers **PDF** and **VCE** file from:

<https://www.pass4itsure.com/hpe6-a75.html>

100% Passing Guarantee
100% Money Back Assurance

Following Questions and Answers are all new published by HP Official Exam Center

-  **Instant Download** After Purchase
-  **100% Money Back** Guarantee
-  **365 Days** Free Update
-  **800,000+** Satisfied Customers



**QUESTION 1**

Refer to the exhibit.

```
Switch-1# show link-keepalive
```

```
Status and Configuration - UniDirectional Link Detection (UDLD)
```

```
Keepalive Retries      : 4
Keepalive Interval    : 5000 ms
Keepalive Mode        : forward-then-verify
```

Port	Enabled	Physical Status	Keepalive Status	Adjacent Switch	UDLD VLAN
A23	Yes	up	failure	00fd45-653ae9	untagged

Switch-1 and Switch-2 connect on interface A23. The switches experience a connectivity issue. The network administrator sees that both switches show this interface as up. The administrator sees the output shown in the exhibit on Switch-1.

What is a typical issue that could cause this output?

- A. a hardware issue, such as a broken cable
- B. asymmetric routing introduced by a routing configuration error
- C. an issue with queuing, caused by mismatched QoS settings
- D. mismatched IP addresses on the VLAN for the link

Correct Answer: A

QUESTION 2

A company has AOS-Switches, Aruba ClearPass, and Aruba Airwave. A network administrator needs to set up a new switch with the same settings found on other switches in the company. Which action is likely to be the most useful to perform the task?

- A. Access the Network Device view on ClearPass.
- B. Use the configuration audit tool on AirWave.
- C. View the current running config on each switch.
- D. View usage patterns on the switches on AirWave.

Correct Answer: A



QUESTION 3

Refer to the exhibit.

Exhibit 1

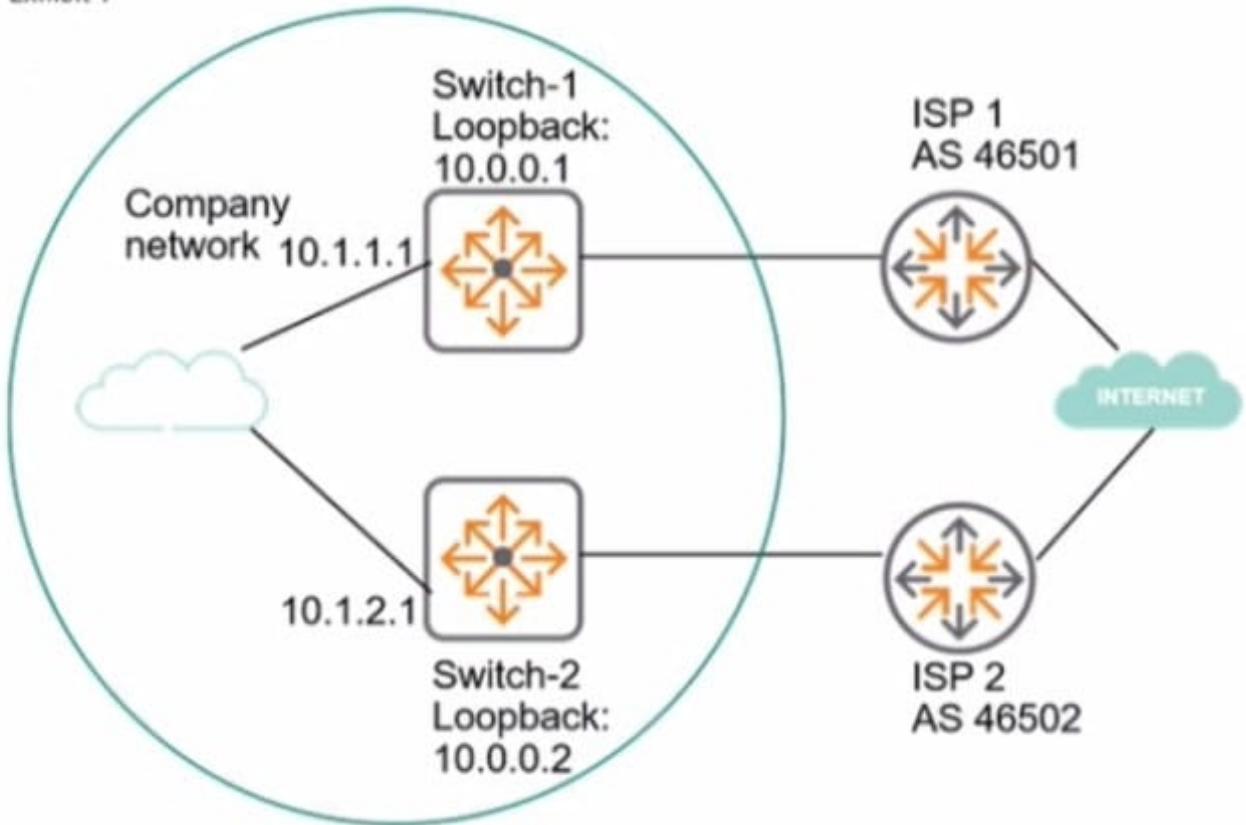




Exhibit 2

```
Switch-1# show ip bgp summary
```

Peer Information

Remote Address	Remote-AS	Local-AS	State	Admin Status
10.0.0.2	46500	46500	Connect	Start

```
Switch-1# show running-config router bgp
```

Running configuration:

```
router bgp 46500
  enable
  neighbor 10.0.0.2 remote-as 46500
  exit
```

```
Switch-2# show ip bgp summary
```

Peer Information

Remote Address	Remote-AS	Local-AS	State	Admin Status
10.0.0.1	46500	46500	Connect	Start

```
Switch-2# show running-config router bgp
```

Running configuration:

```
router bgp 46500
  enable
  neighbor 10.0.0.1 remote-as 46500
  exit
```

The network administrator needs to set up BGP between the two company switches. Switch-1 and Switch

2. The BGP connection does not establish. Based on the exhibits, what does the administrator need to do to fix the issue?

- A. Enable the multihop option for the neighbor on each of the switches.
- B. Enter the network command for 10.0.0.0/24 in the router BGP mode on each switch.
- C. Enable BGP on the interfaces that the switches use to reach each other.
- D. Set the update source for the neighbor to the local loopback interface on each switch.

Correct Answer: D



QUESTION 4

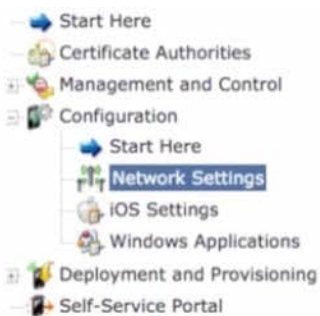
Which statement is true about the Endpoint Profiler? (Select two.)

- A. The Endpoint Profiler uses DHCP fingerprinting for device categorization.
- B. Data obtained from the Endpoint Profiler can be used in Enforcement Policy.
- C. Endpoint Profiler requires a profiling license.
- D. The Endpoint Profiler requires the Onboard license to be enabled.
- E. The Endpoint Profiler can only categorize laptops and desktops.

Correct Answer: AB

QUESTION 5

Refer to the exhibit.



* Name:	Employee Secure <small>Enter a name for the network.</small>
Description:	Connect to the example network. <small>Enter a description for the network.</small>
* Network Type:	Wireless only <small>Select which types of network will be provisioned. Enterprise security (802.1X) will be selected if wired networks are to be supported.</small>
* Security Type:	Enterprise (802.1X) <small>Select the authentication method used for the network. Enterprise security (802.1X) will be selected if wired networks are to be supported.</small>
Wireless Network Settings <small>Options for wireless network access.</small>	
* Security Version:	WPA2 with AES (recommended) <small>Select the WPA encryption version for the wireless network. This setting is used for Windows, Android and Legacy OS X (10.5/6) devices only. IOS and OS X 10.7+ (Lion or later) devices auto-detect the WPA version.</small>
* SSID:	secure_emp <small>Enter the SSID of the wireless network to connect to.</small>
Wireless:	<input type="checkbox"/> Hidden network <small>Select this option if the wireless network is not open or broadcasting.</small>

Exhibit: accp67-534

Which statements accurately describe the status of the Onboarded devices in the configuration for the network settings shown? (Select two.)

- A. They will connect to Employee_Secure SSID after provisioning.
- B. They will connect to Employee_Secure SSID for provisioning their devices.
- C. They will use WPA2-PSK with AES when connecting to the SSID.
- D. They will connect to secure_emp SSID after provisioning.
- E. They will perform 802.1X authentication when connecting to the SSID.

Correct Answer: DE



VCE & PDF

Pass4itSure.com

<https://www.pass4itsure.com/hpe6-a75.html>

2024 Latest pass4itsure HPE6-A75 PDF and VCE dumps Download

[Latest HPE6-A75 Dumps](#)

[HPE6-A75 Exam Questions](#)

[HPE6-A75 Braindumps](#)