



HPE6-A47^{Q&As}

Designing Aruba Solutions

Pass HP HPE6-A47 Exam with 100% Guarantee

Free Download Real Questions & Answers **PDF** and **VCE** file from:

<https://www.pass4itsure.com/hpe6-a47.html>

100% Passing Guarantee
100% Money Back Assurance

Following Questions and Answers are all new published by HP Official Exam Center

-  **Instant Download** After Purchase
-  **100% Money Back** Guarantee
-  **365 Days** Free Update
-  **800,000+** Satisfied Customers



**QUESTION 1**

A customer needs a networking solution that supports their Microsoft Skype for Business Unified Communications (UC) solution. The architect plans to use multiple Aruba APs, switches, and controllers.

The customer wants real time statistics and assessment of call quality.

Which component should the architect include to provide these services?

- A. Aruba AirWare
- B. Aruba Central
- C. Aruba Mobility Master (MM)
- D. Aruba ClearPass

Correct Answer: B

QUESTION 2

An architect proposes four 7210 Mobility Controllers (MCs) to support about 1,500 client APs. The customer environment will have a maximum of about 20,000 wireless clients. The customer wants hardware MMs with an active and standby deployment.

What is the minimum solution that meets the customer requirements?

- A. two MM-HW-10K appliances
- B. two MM-HW-5K appliances
- C. four MM HW-5K appliances
- D. four MM HW-10K appliances

Correct Answer: B

QUESTION 3

Refer to the exhibit. Exhibit 1.

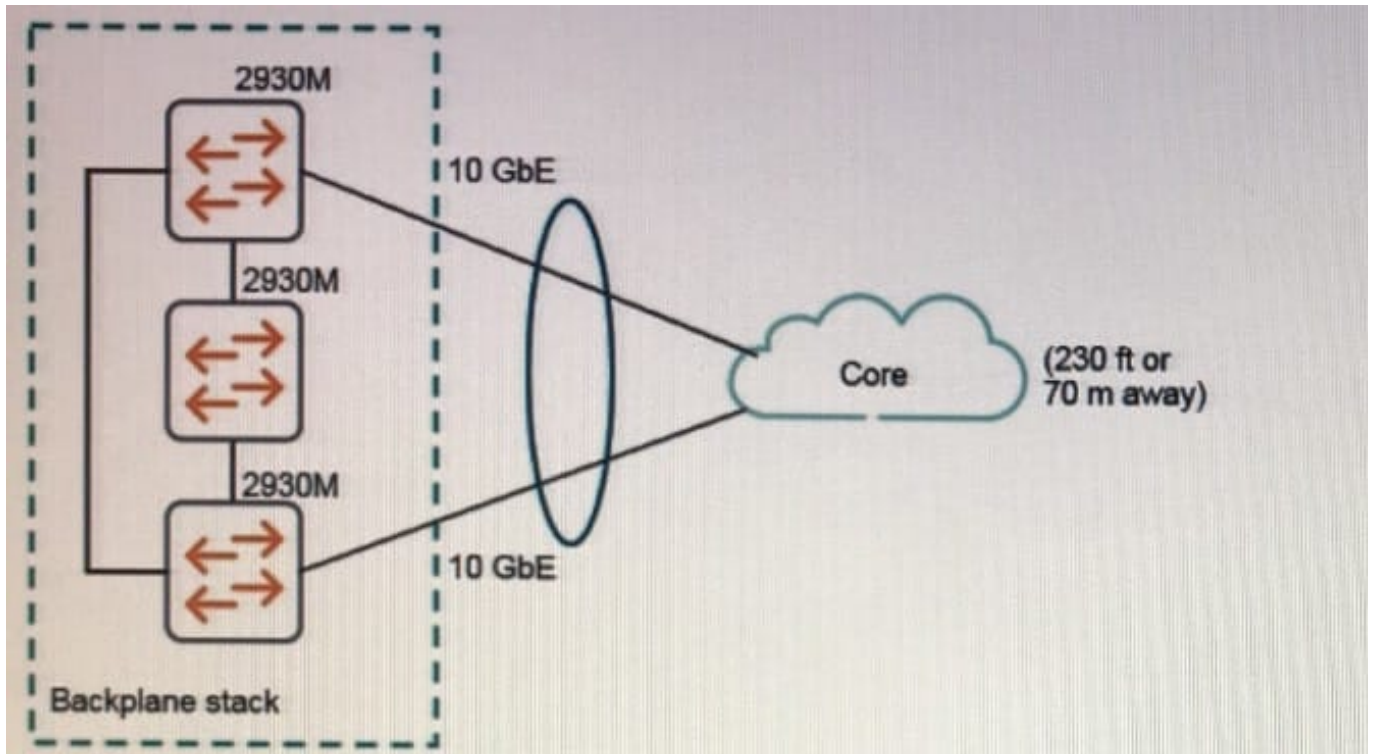


Exhibit 2.

Line#	Part Number	Description	Manufacturer	Unit Price	Quantity	Total	Price List
1.00	JL321A	Aruba 2930M 48G 1-slot Switch	Hewlett Packard Enter...	\$5,419.00	3	\$16,257.00	USA Price List (USD)
1.01	H2BR5E	HPE 3Y FC 4H Exch A 2930M 48G Swt SVC [for JL321A]	Hewlett Packard Enter...	\$1,635.00	3	\$4,905.00	USA Price List (USD)
1.02	U4830E	HPE Networks Stackable Leg Startup SVC [for JL321A]	Hewlett Packard Enter...	\$1,325.00	3	\$3,975.00	USA Price List (USD)
1.03	JL085A	Aruba X371 12VDC 250W Power Supply	Hewlett Packard Enter...	\$439.00	3	\$1,317.00	USA Price List (USD)
1.04	JL085A	ABA INCLUDED: Power Cord - U.S. localization	Hewlett Packard Enter...	incl.	3		
1.05	JL083A	Aruba 3810M/2930M 45FP+ MACsec Module	Hewlett Packard Enter...	\$1,259.00	2	\$2,518.00	USA Price List (USD)
1.06	J9150A	HPE X132 10G SFP+ LC SR Transceiver	Hewlett Packard Enter...	\$1,040.00	2	\$2,080.00	USA Price List (USD)
Quote Total						\$31,052.00	

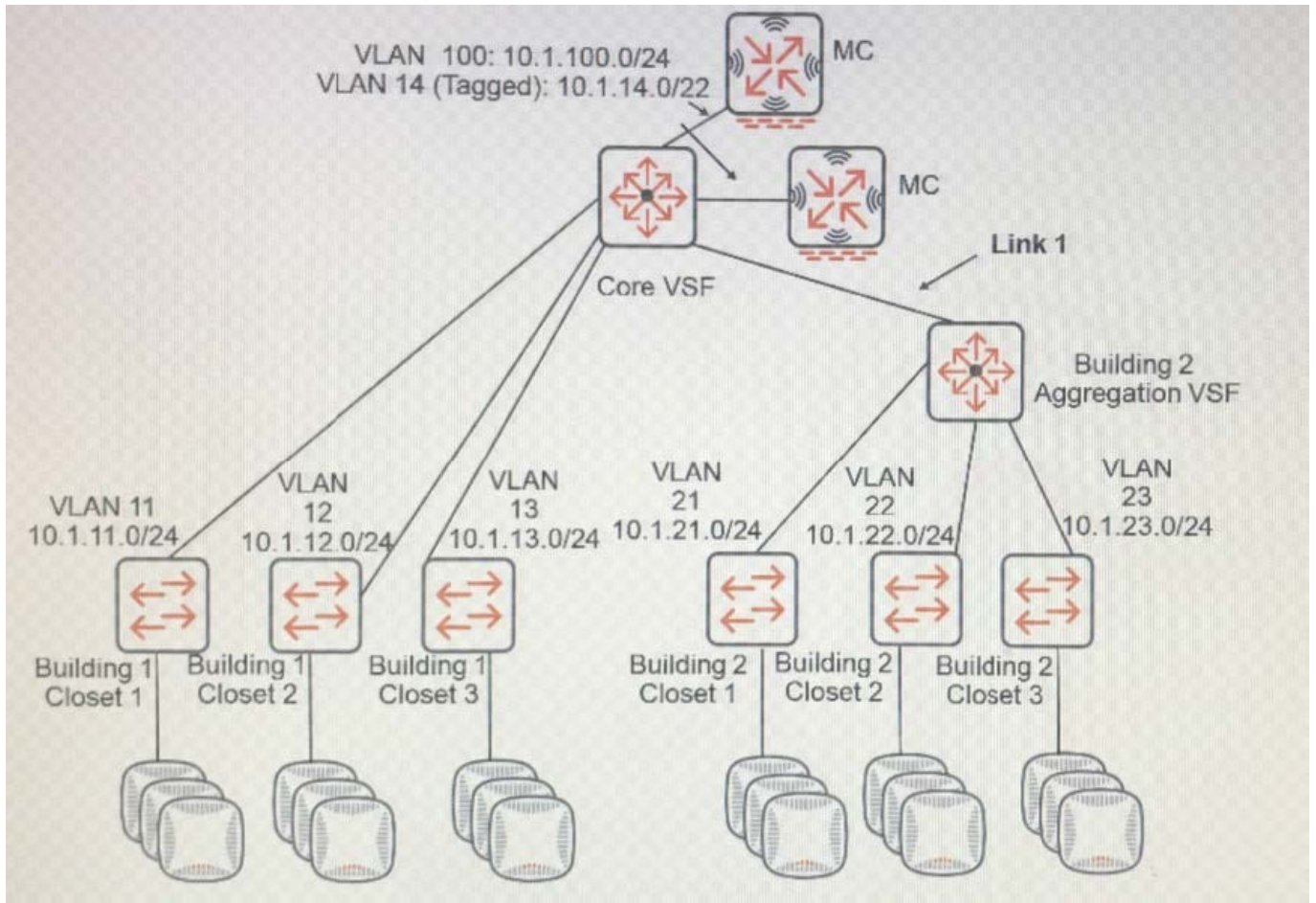
Exhibit 1 shows the logical plan, and Exhibit 2 shows the BOM that the administrator has made in Iris. What is missing from the IRIS BOM?

- A. stacking modules and cables
- B. stacking licenses
- C. 10 GbE direct attach cables
- D. an uplink module for one of the switches

Correct Answer: C

QUESTION 4

Refer to the exhibit.



The customer needs to expand its wired and wireless network to a new building, Building 2, which is near the existing building, Building 1. The exhibit shows the logical plan that the architect has created so far. The aggregation layer switches in the new building should provide the default gateway services for the VLANs in the new building and route traffic to the core. The existing Aruba Mobility Controllers (MCs) will control the new APs.

What should be the VLAN assignment for Link 1, indicated in the exhibit?

- A. an unused VLAN such as 200
- B. VLANs 21, 22, and 23 only
- C. VLANs 11, 12, 13, 21, 22, and 23
- D. the default VLAN and VLAN 14

Correct Answer: C

QUESTION 5

For which scenario does the Aruba backplane stacking technology meet the needs?

- A. The customer needs to deploy a pair of aggregation switches in the same closet, and wants to simplify the architecture and redundancy design.



B. The customer needs to simplify the deployment of core switches which are located in different closets for redundancy purposes.

C. The customer needs to expand the network and make it possible for the current core switches to support more MAC forwarding and ARP entries.

D. The customer needs to deploy a switch at a branch office and have the switch automatically discover and join the network stack at the main office.

Correct Answer: B

[HPE6-A47 VCE Dumps](#)

[HPE6-A47 Practice Test](#)

[HPE6-A47 Exam Questions](#)