



HPE6-A47^{Q&As}

Designing Aruba Solutions

Pass HP HPE6-A47 Exam with 100% Guarantee

Free Download Real Questions & Answers **PDF** and **VCE** file from:

<https://www.pass4itsure.com/hpe6-a47.html>

100% Passing Guarantee
100% Money Back Assurance

Following Questions and Answers are all new published by HP Official Exam Center

-  **Instant Download** After Purchase
-  **100% Money Back** Guarantee
-  **365 Days** Free Update
-  **800,000+** Satisfied Customers





QUESTION 1

The customer has an office environment with users who have laptops that can connect with wired or wireless. Users also bring one or two of their own devices. An architect creates a proposal with Aruba AP325s, 7210 Mobility Controllers (MCs), a Mobility Master (MM), and Aruba 2930M switches at the access layer to support the laptops and APs.

The architect plans to recommend 802.1X authentication without tunneled node on Aruba 2930M switch ports that connect to laptops.

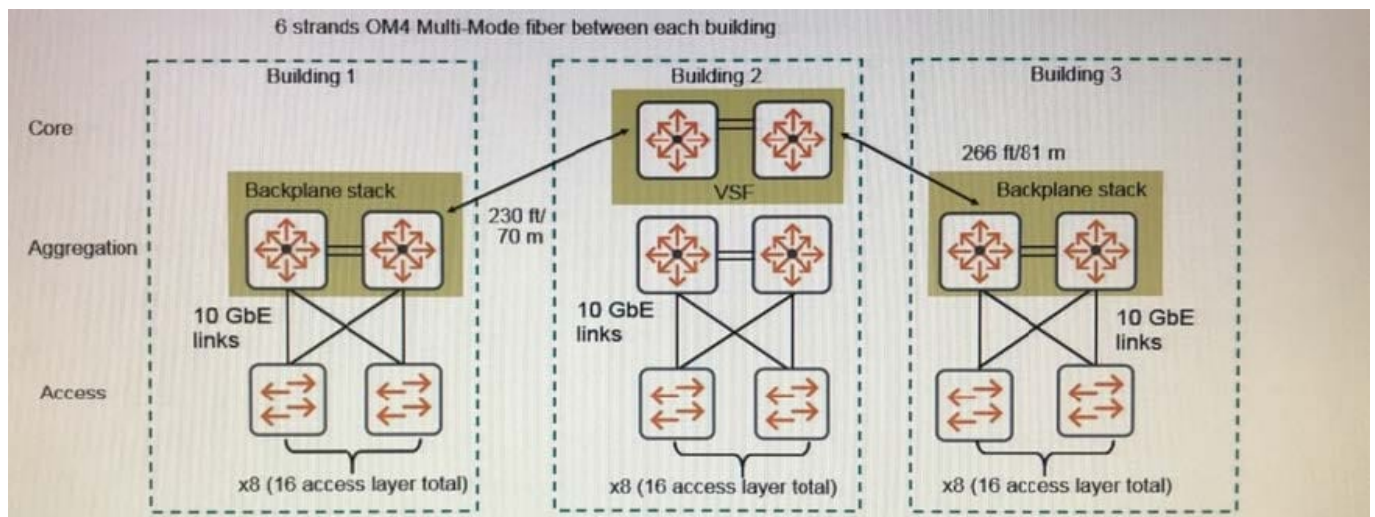
What is one advantage of this form of authentication?

- A. ensures that Aruba firewall policies apply to wired user traffic.
- B. prevents users from connection attempts with more than three devices
- C. enables user access control and ensures only authorized users connect.
- D. provides a second layer of protection for wireless users at the internal perimeter

Correct Answer: C

QUESTION 2

Refer to the exhibit.



An architect determines that 80 Gbps bandwidth is required for the link aggregation between the Building 1 aggregation layer and Building 2.

Which transceivers should the architect recommend for each pair of switches?

- A. two QSFP+ BiDi
- B. two QSFP+ MPO
- C. eight SPF+ LR



D. eight SFP+ SR

Correct Answer: B

QUESTION 3

What typically drives the need for an aggregation layer in modern networks?

- A. insufficient fiber cabling, especially between buildings
- B. lack of high speed uplink capabilities at the access layer
- C. simplification of spanning tree protocol at the access layer
- D. need to extend VLANs across wider areas

Correct Answer: C

QUESTION 4

A customer needs a wired network solution that can recognize and prioritize a wide array of different types of traffic, including casual Web browsing, voice, video, SAP Online, and file sharing.

The architect needs to choose between the Aruba 2930F or the 2540 Switch Series for the access layer switch.

Why would the architect choose the 2930F rather than the 2540 Switch Series for this customer?

- A. The 2930F Series supports LLDP-MED for detecting VoIP traffic, while the 2540 Series does not.
- B. The 2930F Series supports advanced routing, including multi-area OSPF, while the 2540 Series does not.
- C. The 2930F Series supports more options for class-based QoS policies than the 2540 Series.
- D. The 2930F Series can provide better congestion management with its much deeper buffers.

Correct Answer: D

QUESTION 5

An architect proposes an Aruba wireless solution for a customer that uses Microsoft Skype for Business. What should be set up on the MCs, or MM, to ensure that wireless voice traffic is properly prioritized?

- A. Firewall policies and SDN to mark voice
- B. Broadcast suppression combined with AirGroup
- C. Airtime Fairness set to fair-access
- D. Voice-aware Layer 3 roaming

Correct Answer: D



VCE & PDF

Pass4itSure.com

<https://www.pass4itsure.com/hpe6-a47.html>

2024 Latest pass4itsure HPE6-A47 PDF and VCE dumps Download

[HPE6-A47 VCE Dumps](#)

[HPE6-A47 Exam Questions](#)

[HPE6-A47 Braindumps](#)