



HPE6-A45^{Q&As}

Implementing Aruba Campus Switching solutions

Pass HP HPE6-A45 Exam with 100% Guarantee

Free Download Real Questions & Answers **PDF** and **VCE** file from:

<https://www.pass4itsure.com/hpe6-a45.html>

100% Passing Guarantee
100% Money Back Assurance

Following Questions and Answers are all new published by HP Official Exam Center

-  **Instant Download** After Purchase
-  **100% Money Back** Guarantee
-  **365 Days** Free Update
-  **800,000+** Satisfied Customers





QUESTION 1

Which technologies can prevent split brain in a VSF fabric that includes Aruba 2930F switches?

- A. ARP MAD or OOBM MAD
- B. VLAN MAD or ARP MAD
- C. OOBM MAD or LLDP MAD
- D. LLDP MAD or VLAN MAD

Correct Answer: C

QUESTION 2

Refer to the exhibits

Exhibit 1

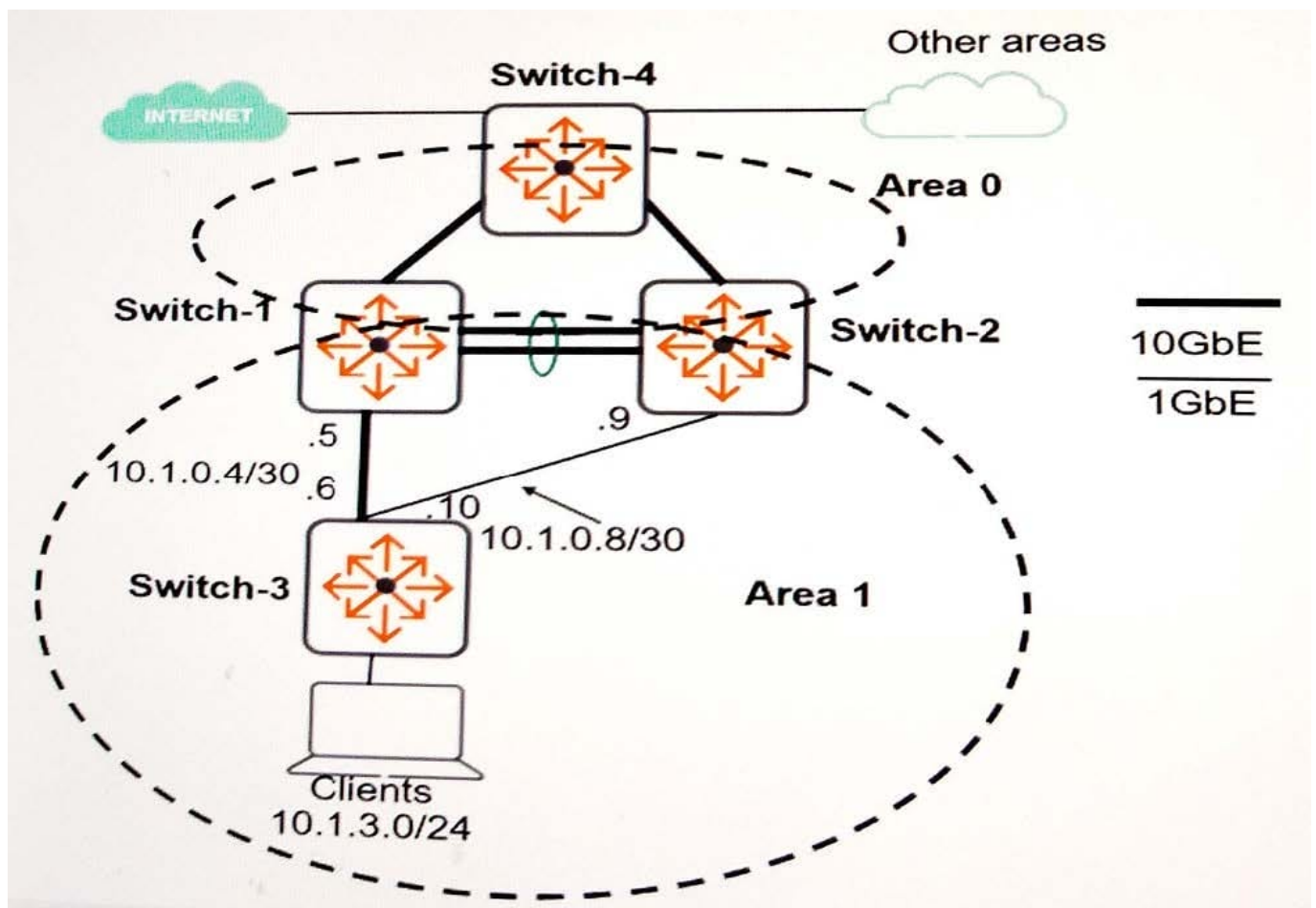


Exhibit 2



```
Switch-1 partial running-config
router ospf
  area backbone
  area 0.0.0.1 stub 1 no-summary

Switch-2 partial running-config
router ospf
  area backbone
  area 0.0.0.1 stub 1 no-summary

Switch-3 partial running-config
vlan 104
  ip address 10.1.0.6 255.255.255.252
  ip ospf area 0.0.0.1
  untagged a24
vlan 108
  ip address 10.1.0.10 255.255.255.252
  ip ospf area 0.0.0.1
  untagged a1
router ospf
  area 0.0.0.1 stub 1
```

Both Switch-1 and Switch-2 have an OSPF inter-area route to 10.2.0.0/16 with metric 10 in their IP routing table. Switch-3 has the default setting for ECMP. Based on the exhibits, what should the Switch-3 routing table display if the network operates as normal?

- A. no route to 10.2.0.0/16
- B. two routes to 10.2.0.0/16 through both 10.1.0.1 and 10.1.0.5
- C. a route to 10.2.0.0/16 through 10.1.0.5
- D. a route to 10.2.0.0/16 through 10.1.0.1

Correct Answer: A

QUESTION 3

Refer to the exhibits. Exhibit 1

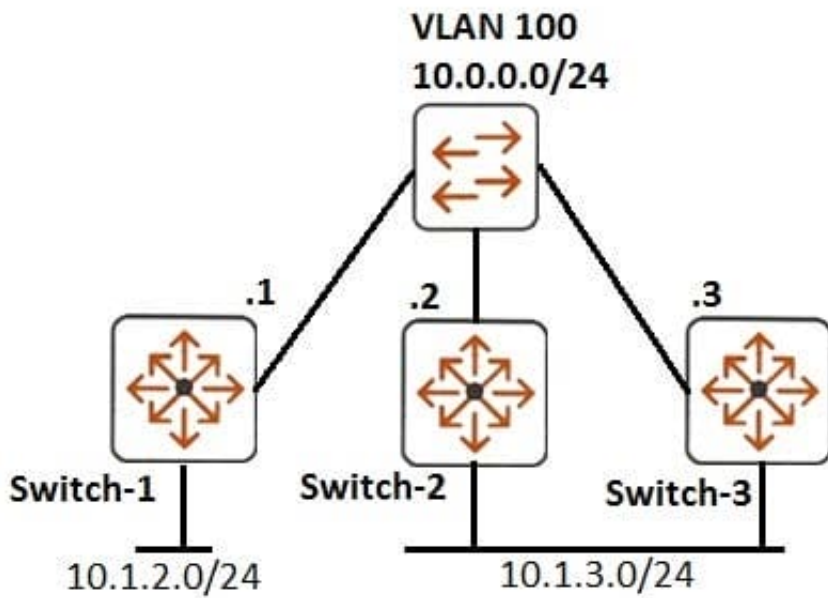


Exhibit 2 Switch-1 and Switch-2 lost IP connectivity with each other. They did not detect the issue for several seconds and caused a temporary traffic disruption. The administrations expected failover to the backup route through Switch-3 to occur in less than a second. The administrators restore the failed link and view the output on Switch-1, shown in the exhibit.



Switch-1# show bfd

Bidirectional Forwarding Detection (BFD) Information

Administrative Status : Enabled

Echo Source IP :

Maximum number of sessions supported :128

Number of sessions reserved for internal use : 0

Total Number of Sessions : 2

Number of Sessions Up : 2

Number of Sessions Down : 0

Global Statistics:

Total Number of Control Packets Transmitted : 34

Total Number of Control Packets Received : 19

Total Number of Control Packets Dropped : 0

Session	VLAN	Source IP	Destination IP	Echo	State	Application
1	100	10.0.0.1	10.0.0.2	Disabled	Up	OSPF
2	100	10.0.0.1	10.0.0.3	Disabled	Up	OSPF

Switch-1# show ip ospf interface vlan 100

OSPF configuration and statistics for VLAN 100

OSPF Interface Status for 10.0.0.1

IP Address : 10.0.0.1 Status : enabled

Area ID : 0.0.0.1

State : BDR Auth-type : none

Cost : 1 Chain :

Type : BCAST Priority : 1

Transit Delay : 1 Retrans. Interval : 5

Hello Interval : 10 Rtr Dead Interval : 40

Designated Router : 10.0.0.2 Events : 0

Backup Desig. Rtr : 10.0.0.1 Passive : no

Neighbors : 2

BFD Administrative Status : Enabled

What should they do to create the expected behavior if connectivity is lost again?

- A. Lower the hello timer to a given range of times on each OSPF routing switch in VLAN 100
- B. Enable BFD in asynchronous mode on each OSPF routing switch in VLAN 100
- C. Manually configure the network type as point-to-point on each OPSF routing switch in VLAN 100



D. Set a BFD echo source IP address on each OSPF routing switch in VLAN 100

Correct Answer: B

QUESTION 4

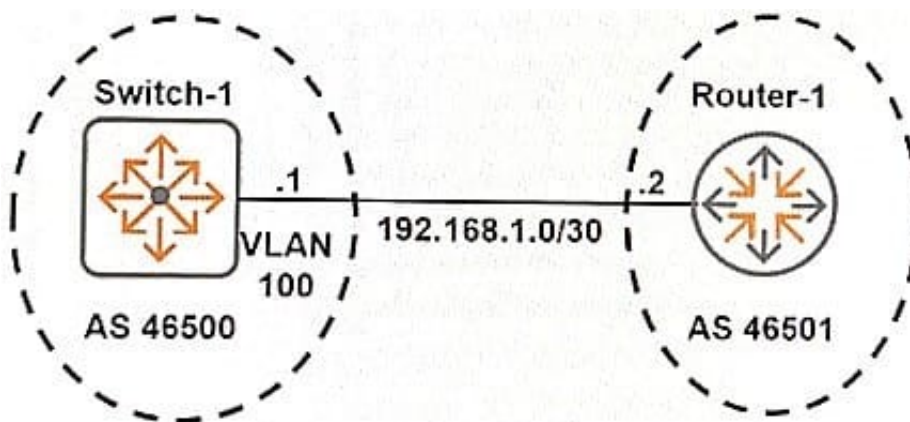
An AOS-Switch uses tunneled node. What is a best practice for the path between an AOS-Switch and its Mobility Controller?

- A. The path can support jumbo frames
- B. The path has a device that applies NAT
- C. The path implements MACsec
- D. The path crosses no VLAN boundaries

Correct Answer: A

QUESTION 5

Refer to the exhibit.



Switch-1 runs BGP. What should the network administrator do to permit Switch-1 to establish a neighbor relationship with Router-1?

- A. Configure 192.168.1.2 as a neighbor manually within the BGP context.
- B. Specify 192.168.1.0/30 with the network command in the BGP context.
- C. Enable BGP on VLAN 100.
- D. Set the BGP AS number to 46501.

Correct Answer: A