



# HPE6-A41<sup>Q&As</sup>

Applying Aruba Switching Fundamentals for Mobility

**Pass HP HPE6-A41 Exam with 100% Guarantee**

Free Download Real Questions & Answers **PDF** and **VCE** file from:

<https://www.pass4itsure.com/hpe6-a41.html>

100% Passing Guarantee  
100% Money Back Assurance

Following Questions and Answers are all new published by HP Official Exam Center

-  **Instant Download** After Purchase
-  **100% Money Back** Guarantee
-  **365 Days** Free Update
-  **800,000+** Satisfied Customers



**QUESTION 1**

A network administrator plans two interfaces for a Virtual Switching Framework (VSF) link. Which best practice should the administrator follow?

- A. Configure a low spanning tree cost on the interfaces.
- B. Configure the interfaces as a distributed trunk.
- C. Use interfaces on different modules.
- D. Use copper connections.

Correct Answer: C

---

**QUESTION 2**

Two switches are members of a Virtual Switching Framework (VSF) fabric.

Which statement correctly describes how the switches handle routing?

- A. Only the commander runs routing protocols and builds the IP routing table, but it programs the standby member to route traffic.
- B. Both members build their own IP routing tables, which they synchronize. Only static IP routing is supported with VSF.
- C. Only the commander runs routing protocols and builds the IP routing table, and all routed traffic must pass through the commander.
- D. Both members run routing protocols and build their own IP routing tables, and they synchronize the tables over VSF links.

Correct Answer: C

---

**QUESTION 3**

A server connects to a port on an ArubaOS switch. The network administrator wants to ensure that the port remains forwarding during MSTP topology changes, and changes in the port status do not cause MSTP topology changes.

Which statement describes how the administrator can accomplish this?

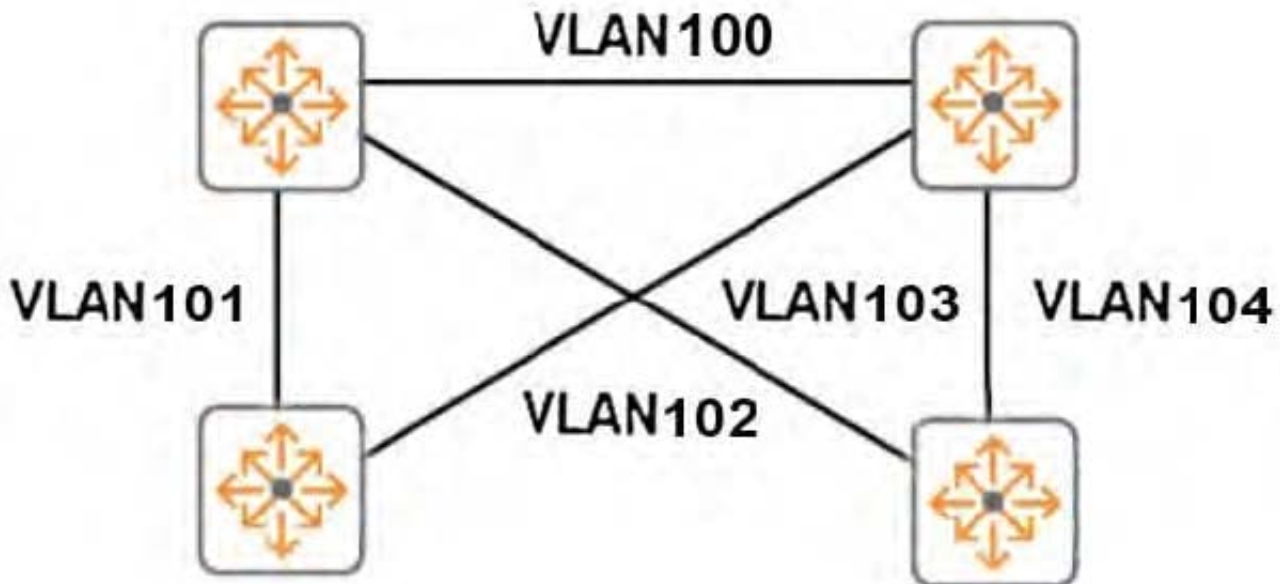
- A. The administrator can accept the default behavior of auto-edge.
- B. The administrator can lower the port's root path cost to zero.
- C. The administrator can manually disable STP on the edge port.
- D. The administrator can configure the port as an MSTP master port.

Correct Answer: D

---

**QUESTION 4**

Refer to the exhibit.



The switches in the exhibit are all ArubaOS switches that run MSTP. The network administrator wants all of the switch-to-switch links shown in the exhibit to be available for forwarding routed traffic.

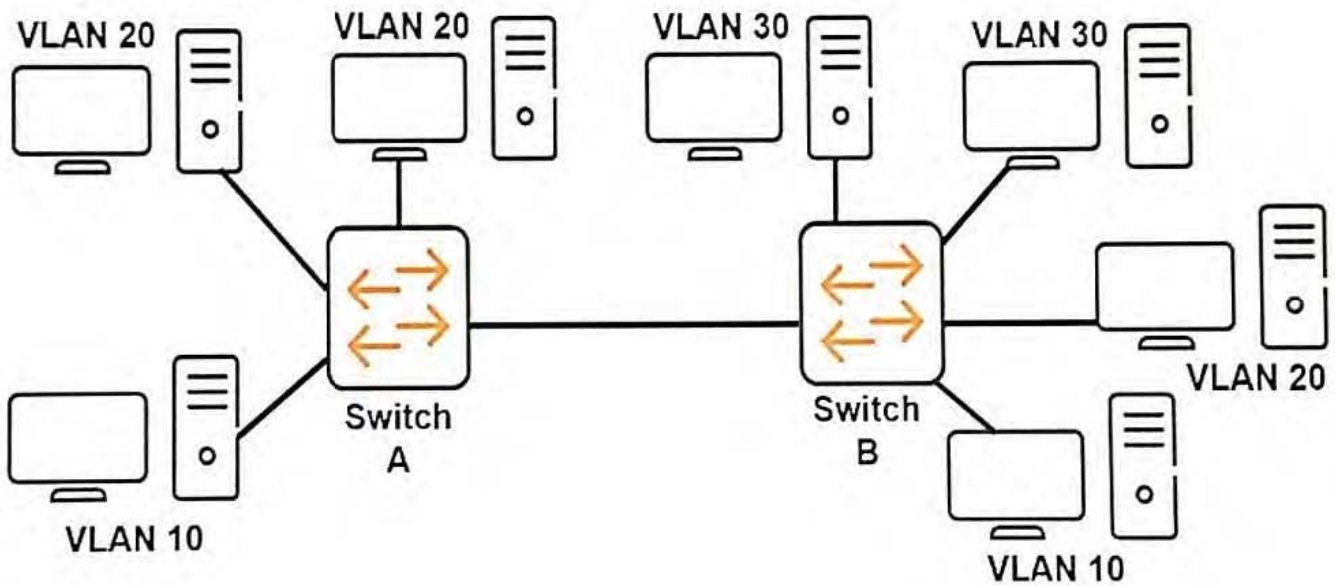
What should the administrator do to accomplish this?

- A. Configure link-keepalive on the switch-to-switch ports.
- B. Configure links on a switch as a standard link aggregation.
- C. Configure the switch-to-switch ports as MSTP auto-edge ports.
- D. Configure BPDU filters on the switch-to-switch ports.

Correct Answer: C

**QUESTION 5**

Refer to the exhibit.



The network consists of two ArubaOS switches with routing disabled.

How should the network administrator configure the link between Switch A and Switch B to ensure that all hosts can communicate to all the other hosts within their respective VLANs?

- A. tagged for VLAN 20 and tagged for VLAN 30
- B. untagged for VLAN 10 and tagged for VLAN 30
- C. tagged for VLAN 10 and tagged for VLAN 20
- D. untagged for VLAN 10, untagged for VLAN 20, and tagged for VLAN 30

Correct Answer: C

[HPE6-A41 PDF Dumps](#)

[HPE6-A41 VCE Dumps](#)

[HPE6-A41 Brindumps](#)