



HPE6-A41^{Q&As}

Applying Aruba Switching Fundamentals for Mobility

Pass HP HPE6-A41 Exam with 100% Guarantee

Free Download Real Questions & Answers **PDF** and **VCE** file from:

<https://www.pass4itsure.com/hpe6-a41.html>

100% Passing Guarantee
100% Money Back Assurance

Following Questions and Answers are all new published by HP Official Exam Center

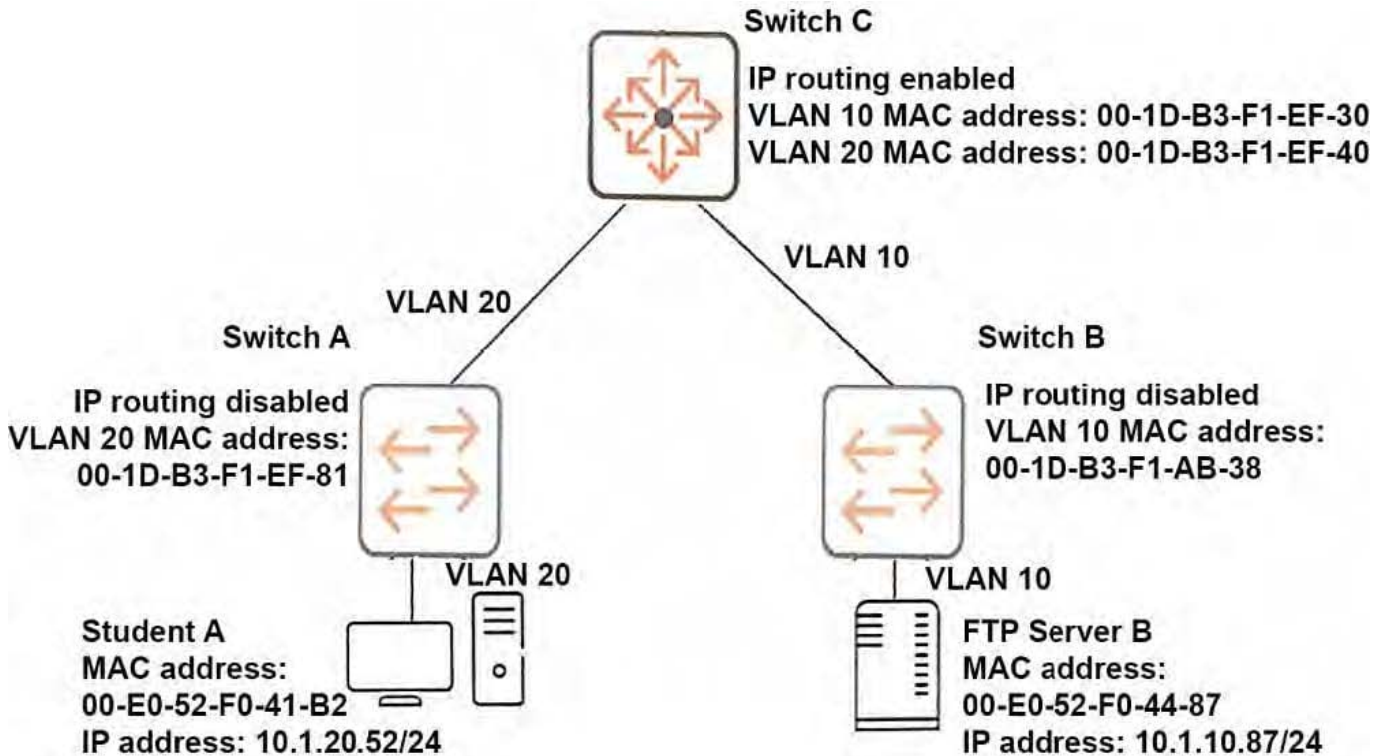
-  **Instant Download** After Purchase
-  **100% Money Back** Guarantee
-  **365 Days** Free Update
-  **800,000+** Satisfied Customers





QUESTION 1

Refer to the exhibit.



The student A client needs to connect to FTP Server B. Student A sends the necessary ARP request and receives a reply.

Which destination MAC address does the Student A client use in the FTP packet to FTP Server B?

- A. 00-1D-B3-F1-EF-40
- B. 00-E0-52-F0-44-87
- C. 00-1D-B3-F1-EF-31
- D. 00-E0-52-F0-41-B2

Correct Answer: A

QUESTION 2

What is true about the community string used for SNMPv1 and SNMPv2c?

- A. The community string hashes the SNMP message, but does not encrypt it, which provides for data integrity.
- B. The community string is like a password transmitted in cleartext, which provides no data integrity or privacy.
- C. The community string encrypts the SNMP message, but does not hash it, which provides for data privacy.



D. The community string encrypts and hashes the SNMP message, which provides for data integrity and privacy.

Correct Answer: B

QUESTION 3

Refer to the exhibit.

```
Switch-1# show spanning-tree topo-change-history originated
Status and Counters - CST Regional Topology Changes History
MST Instance Id : CST
      Current          Previous
Port Role             Role           Date Time
-----
25    Designated      Alternate     07/07/2016 04:14:59
25    Alternate        Designated    07/07/2016 04:10:20
25    Designated      Alternate     07/07/2016 04:08:34
25    Alternate        Designated    07/07/2016 04:07:12
25    Designated      Alternate     07/07/2016 04:05:38
```

Based on the exhibit, what is the problem?

- A. An issue causes the spanning tree to converge and re-converge again and again.
- B. Interface 25 on Switch-1 is incorrectly configured as an STP edge port and cause a loop to occur.
- C. Interface 25 on Switch-1 does not support the correct VLANs and prevents the interface from receiving the correct STP role.
- D. Switch-1 and another switch are configured with the same spanning tree priority and cause the root election to occur again and again.

Correct Answer: A

QUESTION 4

A retail company needs a quick way to deploy network infrastructure to new sites.

Which Aruba solutions provide Zero Touch Provisioning (ZTP) for Aruba Instant APs (IAPs) and ArubaOS switches?

- A. Aruba AirWave and Aruba Activate
- B. Aruba Meridian and Aruba ALE
- C. Aruba AirWave and Aruba Central



D. Aruba Activate and Aruba Meridian

Correct Answer: A

QUESTION 5

A server connects to a port on an ArubaOS switch. The network administrator wants to ensure that the port remains forwarding during MSTP topology changes, and changes in the port status do not cause MSTP topology changes.

Which statement describes how the administrator can accomplish this?

- A. The administrator can accept the default behavior of auto-edge.
- B. The administrator can lower the port's root path cost to zero.
- C. The administrator can manually disable STP on the edge port.
- D. The administrator can configure the port as an MSTP master port.

Correct Answer: D

[HPE6-A41 Practice Test](#)

[HPE6-A41 Study Guide](#)

[HPE6-A41 Exam Questions](#)