



HPE6-A41^{Q&As}

Applying Aruba Switching Fundamentals for Mobility

Pass HP HPE6-A41 Exam with 100% Guarantee

Free Download Real Questions & Answers **PDF** and **VCE** file from:

<https://www.pass4itsure.com/hpe6-a41.html>

100% Passing Guarantee
100% Money Back Assurance

Following Questions and Answers are all new published by HP Official Exam Center

-  **Instant Download** After Purchase
-  **100% Money Back** Guarantee
-  **365 Days** Free Update
-  **800,000+** Satisfied Customers



**QUESTION 1**

Refer to the exhibit.

```
Switch# show ip route
```

Destination	Gateway	IP Route Entries		Sub-Type	Metric	Dist.
		VLAN	Type			
192.168.1.4/30	VLAN104	104	connected		1	0
192.168.1.8/30	VLAN108	108	connected		1	0
172.16.2.0/24	192.168.1.5	104	static		1	1
127.0.0.0/8	reject		static		0	0
127.0.0.1/32	lo0		connected		1	0

The network administrator enters this command:

```
Switch(config)# ip route 172.16.2.0/30 192.168.1.100 metric 1 distance 1
```

Why does this route fail to appear in the IP routing table?

- A. Its prefix length is invalid.
- B. Its next hop is unreachable.
- C. Its administrative distance is the same as an existing static route.
- D. Its metric is the same as an existing static route.

Correct Answer: B

QUESTION 2

Which ArubaOS switch feature treats multiple ports as one logical port?

- A. OSPF
- B. STP
- C. VSF
- D. link aggregation

Correct Answer: D

QUESTION 3

Managers log in to an ArubaOS switch with SSH.

What does SSH require to authenticate the switch to the SSH client and set up a secure session?



- A. an SSH authorized user key, managed by the ip ssh public-key commands
- B. a username and password set with the password manager command
- C. an SSH key, managed by the crypto key ss commands.
- D. a self-signed certificate configured with the crypto key commands

Correct Answer: B

Reference: http://h20564.www2.hpe.com/hpsc/doc/public/display?docId=mmr_kc-0134172

QUESTION 4

Refer to the exhibit.

Exhibit 1.

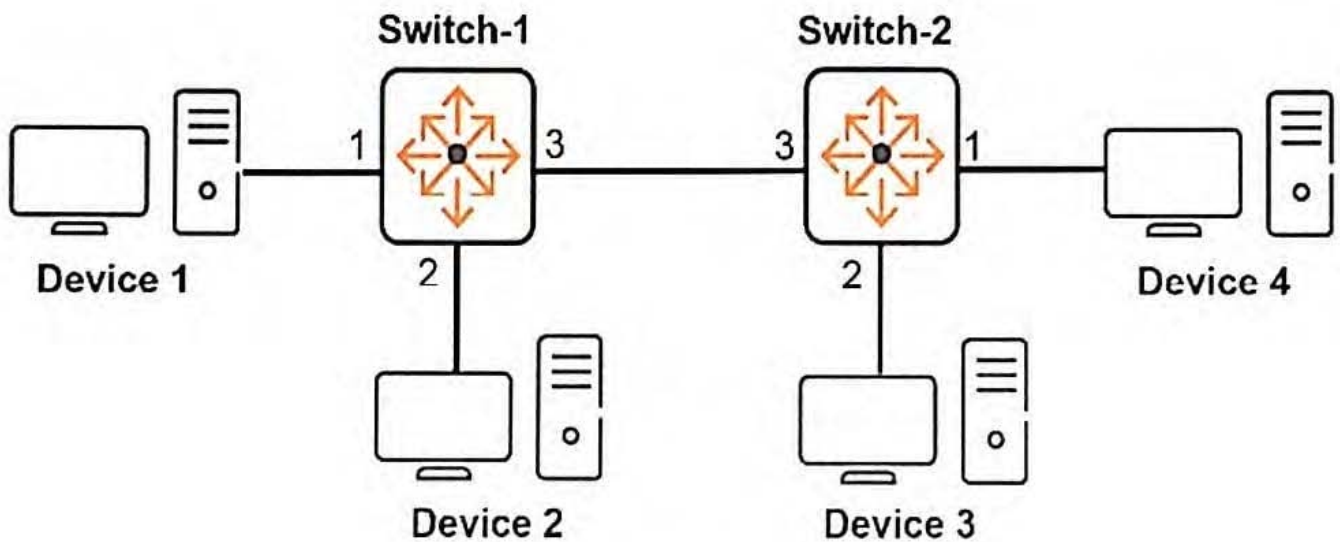


Exhibit 2.



```
Switch-1# show vlan 2
Status and Counters - VLAN Information - VLAN 2
VLAN ID : 2
```

```
<-output omitted->
```

Port	Information	Mode	Unknown VLAN	Status
1		Untagged	Learn	Up
3		Tagged	Learn	Up

```
Switch-1# show vlan 3
Status and Counters - VLAN Information - VLAN 3
VLAN ID : 3
```

```
<-output omitted->
```

Port	Information	Mode	Unknown VLAN	Status
2		Untagged	Learn	Up
3		Tagged	Learn	Up

```
Switch-2# show vlan 2
Status and Counters - VLAN Information - VLAN 2
VLAN ID : 2
```

```
<-output omitted->
```

Port	Information	Mode	Unknown VLAN	Status
1		Untagged	Learn	Up
3		Tagged	Learn	Up

```
Switch-2# show vlan 3
Status and Counters - VLAN Information - VLAN 3
VLAN ID : 3
```

```
<-output omitted->
```

Port	Information	Mode	Unknown VLAN	Status
2		Untagged	Learn	Up
3		Tagged	Learn	Up

Which devices can communicate with each other at Layer 2?



- A. Devices 1 and 2 can communicate at Layer 2; Devices 3 and 4 can communicate at Layer 2.
- B. Devices 2 and 3 can communicate at Layer 2.
- C. Devices 1 and 3 can communicate at Layer 2.
- D. Devices 1 and 4 can communicate at Layer 2; Devices 2 and 3 can communicate at Layer 2.

Correct Answer: B

QUESTION 5

An ArubaOS switch operates at its factory default settings. A network administrator connects the switch to a VLAN with a DHCP server. The switch-to-switch connection carries untagged traffic. The administrator wants to use Telnet log in to the switch CLI.

How should the administrator contact the switch and log in?

- A. Contact the switch at its default IP address 172.16.0.254/24 and log in without entering a password.
- B. Contact the switch at its default IP address 192.168.1.1/24 and log in with the default password admin.
- C. Contact the switch at its DHCP-assigned IP address and log in without entering a password.
- D. Contact the switch at its DHCP-assigned IP address and log in with the default password aruba.

Correct Answer: C

[HPE6-A41 VCE Dumps](#)

[HPE6-A41 Practice Test](#)

[HPE6-A41 Braindumps](#)