



HPE2-Z40^{Q&As}

Delta - Applying Aruba Switching Fundamentals for Mobility

Pass HP HPE2-Z40 Exam with 100% Guarantee

Free Download Real Questions & Answers **PDF** and **VCE** file from:

<https://www.pass4itsure.com/hpe2-z40.html>

100% Passing Guarantee
100% Money Back Assurance

Following Questions and Answers are all new published by HP Official Exam Center

-  **Instant Download** After Purchase
-  **100% Money Back** Guarantee
-  **365 Days** Free Update
-  **800,000+** Satisfied Customers





QUESTION 1

A company requires wireless services at a mid-sized campus. Which advantage do Aruba Instant Aps (IAPs) provide for such an environment?

- A. They are plug-and-play unmanaged APs that automatically support secure WLAN settings.
- B. They operate as thin APs that are automatically discovered and controlled by a mobility controller.
- C. They are controlled from a single interface without requiring the deployment of a separate controller.
- D. They include an embedded version of Aruba AirWave that makes them easy to deploy and manage.

Correct Answer: A

QUESTION 2

Refer to the exhibits.

Exhibit 1

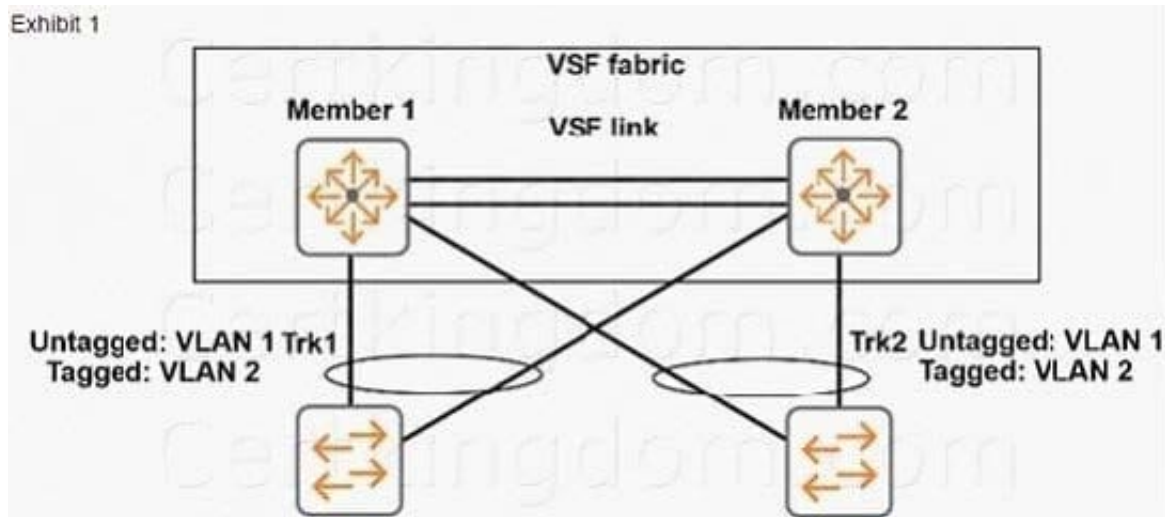


Exhibit 2

```
VSF-Switch# show vsf trunk-designated-forwarder
```

NAME	TYPE	Member
Trk1	LACP	1
Trk2	LACP	2

A broadcast packet arrives tagged for VLAN 2 on the Member 2 link of Trk2. What does Member 2 do?

- A. It forwards the packet over the VSF link to Member 1, and then Member 1 forwards the packet on its link in Trk1.
- B. It uses LACP to communicate with the commander on the VSF link, and then follows the commander directions.



C. It uses a hash to select one of the links in Trk1, and then forwards the packet locally or on the VSF link, based on the decision.

D. It forwards the packet on its local link in Trk1.

Correct Answer: B

QUESTION 3

A company wants to use Zero Touch Provisioning (ZTP) to provision new ArubaOS switches. Which AirWave settings must match the switch default SNMP and Telnet/SSH password settings?

A. Credentials in device discovery settings

B. Communication settings for the device group to which ZTP switches are assigned

C. Settings in the device template for the device group to which ZTP switches are assigned

D. Global communication settings

Correct Answer: C

QUESTION 4

A network has ArubaOS switches and an Aruba Instant cluster with IP addresses on 10.1.255.0/24. The network administrator wants to manage the devices in Aruba Airwave. The administrator uses the SNMP credentials configured on the switches to create a scan set for 10.1.255.0/24. The scan discovers the switches but not the Instant cluster.

What should the administrator do to discover the cluster in Airwave?

A. Configure SNMP credentials in the Instant UI.

B. Re-configure the scan set to use the Aruba Instant default SNMIPv3 user, admin.

C. Specify the AirWave IP address in the Instant UI System > Admin settings.

D. Install the Instant cluster self-signed certificate on Airwave.

Correct Answer: B

QUESTION 5

Network administrators need to access an ArubaOS switch CLI remotely. How can the administrator ensure that all data passed between management stations and the switch is encrypted?

A. Create an SSH key, enable SSH, and disable Telnet.

B. Configure operator and manager passwords for Telnet access.

C. Enable HTTPS access.



D. Create local user accounts and enable command authorization.

Correct Answer: B

[HPE2-Z40 VCE Dumps](#)

[HPE2-Z40 Study Guide](#)

[HPE2-Z40 Exam Questions](#)