



# HPE2-Z39<sup>Q&As</sup>

Fast Track - Applying Aruba Switching Fundamentals for Mobility

**Pass HP HPE2-Z39 Exam with 100% Guarantee**

Free Download Real Questions & Answers **PDF** and **VCE** file from:

<https://www.pass4itsure.com/hpe2-z39.html>

100% Passing Guarantee  
100% Money Back Assurance

Following Questions and Answers are all new published by HP Official Exam Center

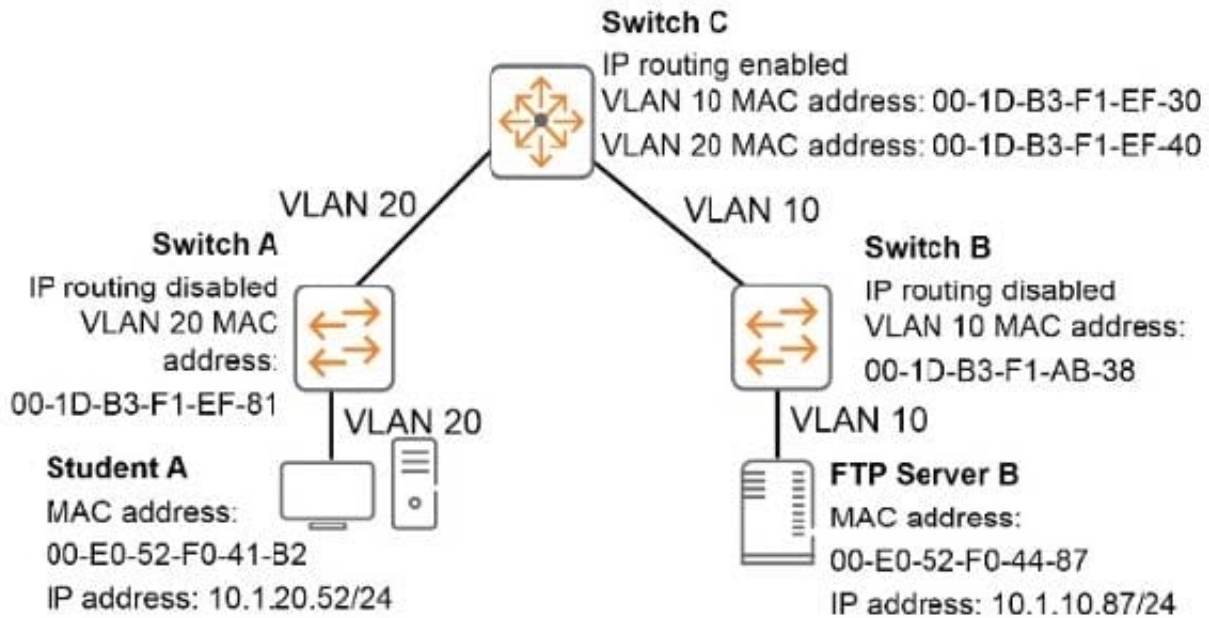
-  **Instant Download** After Purchase
-  **100% Money Back** Guarantee
-  **365 Days** Free Update
-  **800,000+** Satisfied Customers





**QUESTION 1**

Refer to the exhibit.

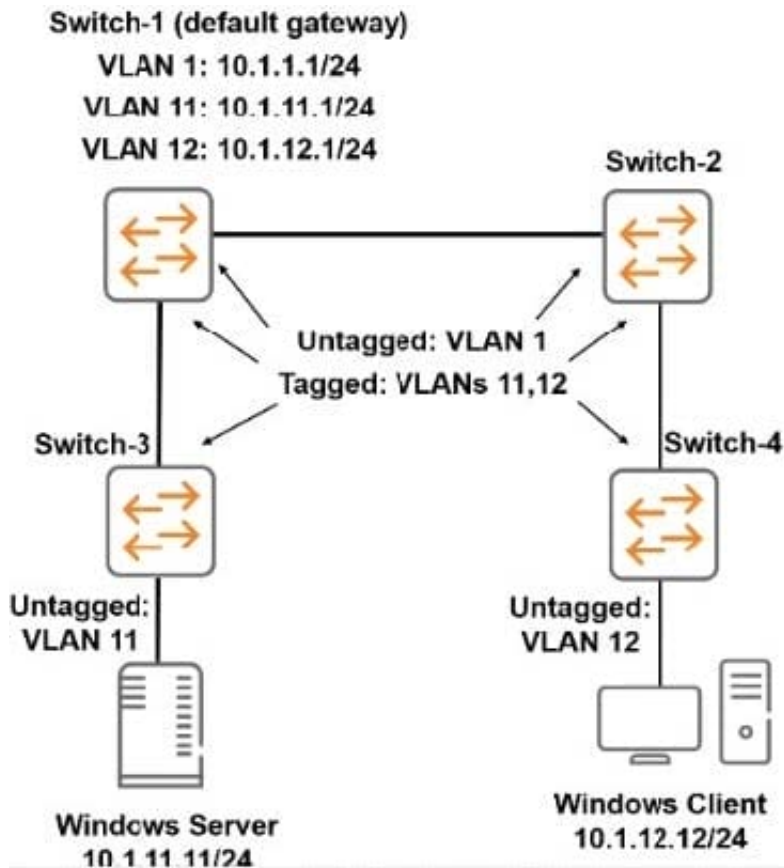


The Student A client needs to connect to FTP Server B. Student A sends the necessary ARP request and receives a reply. Which destination MAC address does the Student A client use in the FTP packet to FTP Server B?

- A. 00-E0-52-F0-41-B2
- B. 00-E0-52-F0-44-87
- C. 00-1D-B3-F1-EF-81
- D. 00-1D-B3-F1-EF-40

Correct Answer: D

**QUESTION 2**



The ArubaOS switches were at default settings. The network administrator configures the VLANs and IP addresses as shown in the exhibit. All inter switch links are untagged for VLAN 1 and tagged for VLANs 11 and 12. There is no additional configuration performed on the switches. The Windows Server and Windows Client are configured to use Switch-1 as their default gateway.

How does this configuration affect the network topology?

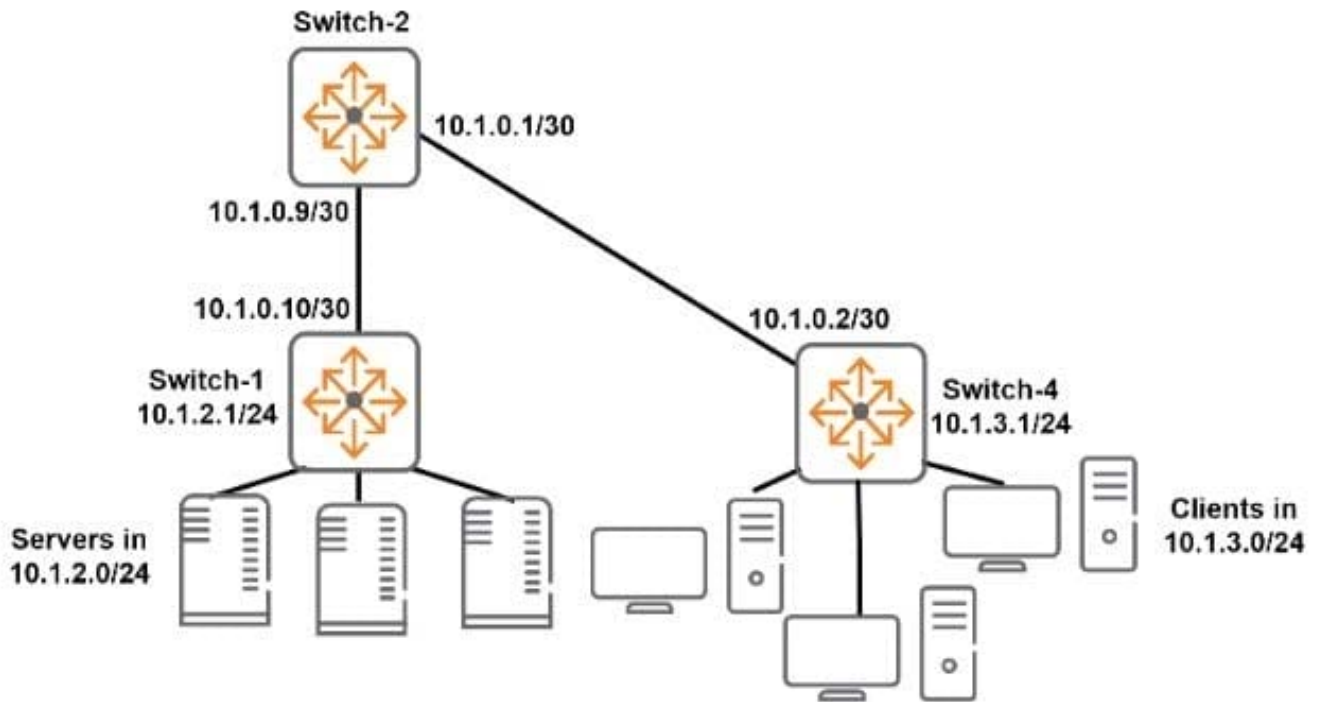
- A. The Windows Server and Windows Client cannot ping each other; IP routing must be enabled on all switches in the topology.
- B. The Windows Server and Windows Client cannot ping each other; the VLANs are tagged incorrectly on one or more ports.
- C. The Windows Server and Windows Client can successfully ping each other.
- D. The Windows Server and Windows Client cannot ping each other; IP routing must be enabled on Switch-1.

Correct Answer: C

### QUESTION 3



Refer to the exhibit.



A network administrator creates a route to 10.1.2.0/24 on Switch-4. What is the correct next hop for the route?

- A. 10.1.0.2
- B. 10.1.0.9
- C. 10.1.0.1
- D. 10.1.21

Correct Answer: C

**QUESTION 4**



Refer to the exhibits.

Exhibit 1

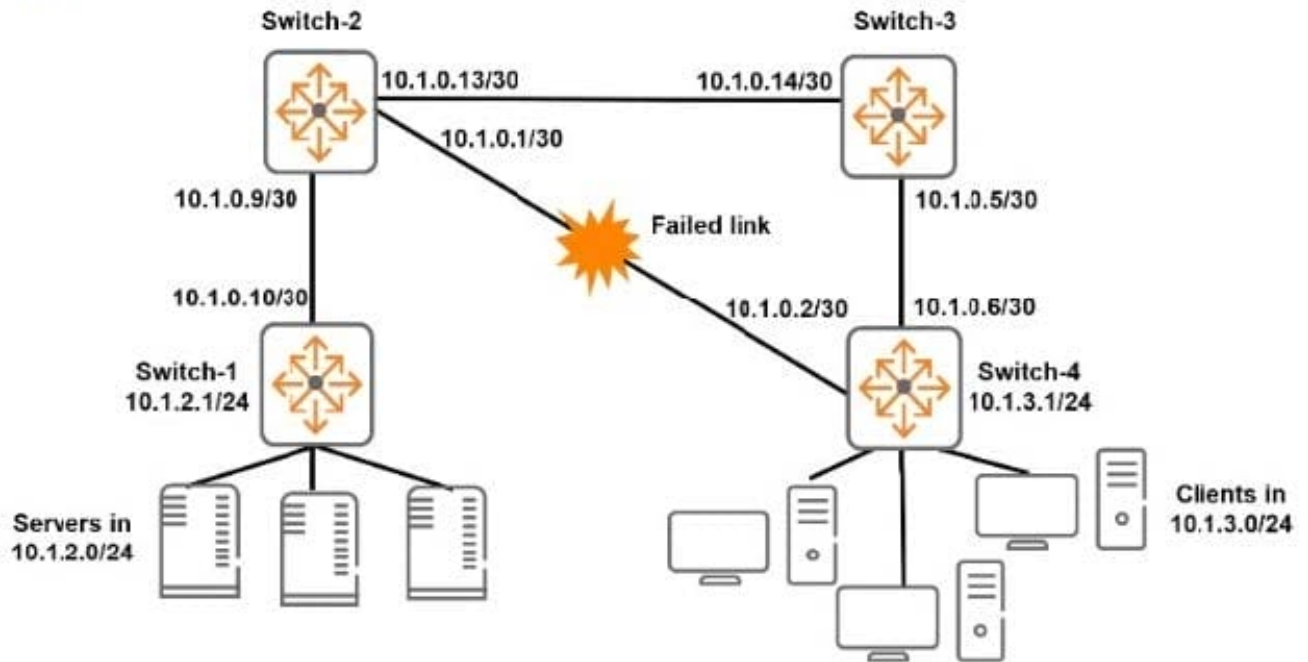


Exhibit 2

Switch-1# show ip route static

Destination	Gateway	IP Route Entries VLAN Type	Sub-Type	Metric	Dist.
10.1.3.0/24	10.0.1.9	103 static		1	1
127.0.0.0/8	reject	static		0	0

Switch-2# show ip route static

Destination	Gateway	IP Route Entries VLAN Type	Sub-Type	Metric	Dist.
10.1.2.0/24	10.1.0.10	103 static		1	1
127.0.0.0/8	reject	static		0	0

Switch-3# show ip route static

Destination	Gateway	IP Route Entries VLAN Type	Sub-Type	Metric	Dist.
10.1.2.0/24	10.1.0.13	104 static		1	1
10.1.3.0/24	10.1.0.6	102 static		1	1
127.0.0.0/8	reject	static		0	0

Switch-4# show ip route static

Destination	Gateway	IP Route Entries VLAN Type	Sub-Type	Metric	Dist.
10.1.2.0/24	10.1.0.5	102 static		1	1
127.0.0.0/8	reject	static		0	0

Exhibit 2 shows the IP routine tables for all the switches after the link between Switch-4 and Switch-2 failed. When this link fails, traffic between 10.1.3.0/24 and 10.1.2.0/24 is disrupted. What should the network administrator do to ensure that this traffic continues to flow if this link fails in the future? (Assume that routes on Switch-1 and Switch-3 are correct.)



- A. Add a route to 10.1.3.0/24 through 10.1.3 1 on Switch-4.
- B. Add a route to 10.1.2.0/24 through 10.1.0.14 on Switch-2.
- C. Add a route to 10.1.3.0/24 through 10.1.0.14 on Switch-2
- D. Add a route to 10.1.2 0/24 through 10.1.2.1 on Switch-4.

Correct Answer: B

---

#### QUESTION 5

What must the network administrator do to enable some traffic to flow over each switch-to-switch link?

- A. On Switch-3, assign STP priority 0 to instance 1 and STP priority 1 (4096) to instance 2. On Switch-4, assign STP priority 1 to instance 1 and STP priority 0 to instance 2.
- B. Change the STP mode to MSTP on each switch.
- C. Change the VLAN-to-instance mapping on half of the switches so that VLAN 2 is assigned to instance 1 and VLAN 3 is assigned to instance 1.
- D. Configure the same MSTP region name and revision number on each switch.

Correct Answer: A

[HPE2-Z39 VCE Dumps](#)

[HPE2-Z39 Exam Questions](#)

[HPE2-Z39 Braindumps](#)