



HPE0-S58^{Q&As}

Implementing HPE Composable Infrastructure Solutions

Pass HP HPE0-S58 Exam with 100% Guarantee

Free Download Real Questions & Answers **PDF** and **VCE** file from:

<https://www.pass4itsure.com/hpe0-s58.html>

100% Passing Guarantee
100% Money Back Assurance

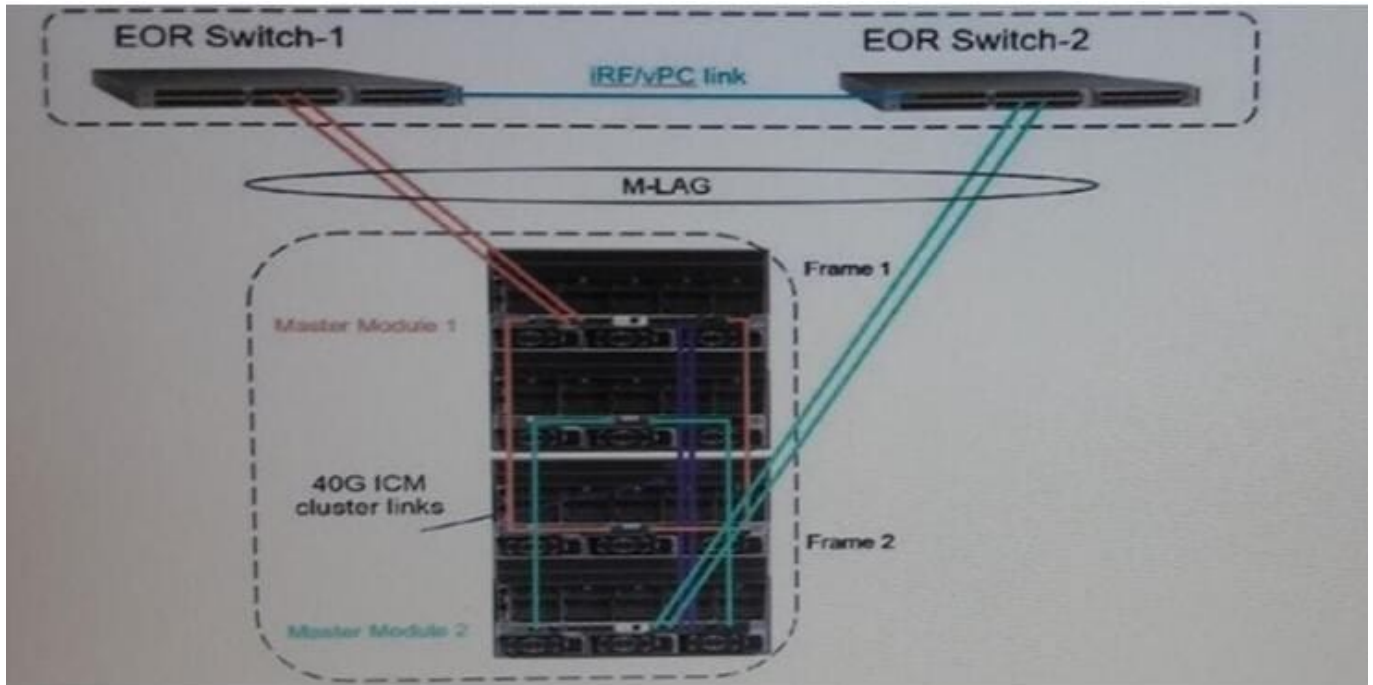
Following Questions and Answers are all new published by HP Official Exam Center

-  **Instant Download** After Purchase
-  **100% Money Back** Guarantee
-  **365 Days** Free Update
-  **800,000+** Satisfied Customers



**QUESTION 1**

Refer to the exhibit.



A customer with the design shown needs to perform an in-place upgrade to its environment to scale the two-frame single homed Multimodule Link Aggregation Group (MLAG) configuration to a three-frame configuration. The new frame needs to provide a redundant 20Gb connection for the compute module ports in Fabric 3.

Which interconnect modules should the integrator use in Frame 3?

- A. HPE Virtual Connect SE 40Gb F8 module in bay 3 and HPE Virtual Connect SE 40Gb F8 Module in bay 6
- B. HPE Synergy 10Gb Interconnect Link Module in bay 3 and HPE Synergy 10Gb Interconnect Link Module in bay 6
- C. HPE Synergy 20Gb Interconnect Link Module in bay 3 and HPE Synergy 20Gb Interconnect Link Module in bay 6
- D. HPE Synergy 20Gb Interconnect Link Module in bay 3 and HPE Synergy 10Gb Interconnect Link Module in bay 6

Correct Answer: B

QUESTION 2

A customer has a five-frame Synergy deployment with redundant Composers. An integrator needs to install Image Streamer. What must the integrator consider before taking the planned action?

- A. Image Streamer requires the use of the MGMT port from both of the FLMs in the frame where the Image Streamer appliance is installed
- B. The frame where the Image Streamer is being installed must not contain an Interconnect Module



- C. The location of the Image Streamer must be manually modified through the Composer
- D. A connection to the management network must be established to an FLM in the same frame that houses the Image Streamer

Correct Answer: D

QUESTION 3

How can an integrator increase the efficiency with which a Synergy solution can be provisioned? (Choose two.)

- A. Use a Multimodule Link Aggregation Group (MLAG) to automate link failover
- B. Use Composer as a PXE server to automate OS deployments
- C. Enable all the compute nodes to boot from SD card in a server profile
- D. Implement Image Streamer to provide a stateless OS environment
- E. Use Powershell to automate configuration and application of server profiles

Correct Answer: DE

QUESTION 4

An integrator needs to add a new network connection to the existing profile associated with a database compute node. The customer is concerned about the impact of this change to the compute node and application. How should the integrator respond?

- A. Adding a new connection can be done only when server is powered off
- B. Adding a new connection can be done only by the user with the server profile architect permissions
- C. Adding a new connection requires the server profile to be re-created
- D. Adding this connection can be done online, so it will have no impact on the server

Correct Answer: A

QUESTION 5

A customer needs to deploy additional management components, such as vCenter Server and HPE Global Dashboard. According to HPE best practices, how should an integrator deploy these components?

- A. Deploy VMware HA cluster on two dedicated management servers, then deploy management components to this cluster.
- B. Deploy vCenter Server as a virtual machine on the Hyper-V host and HPE Global Dashboard to the domain controller.
- C. Install vCenter Server on the domain controller, then deploy HPE Global Dashboard to the HPE Composer or HPE



OneView appliance.

D. Deploy vCenter Server to any Windows machine, and install HPE Global Dashboard on the same server.

Correct Answer: B

[HPE0-S58 PDF Dumps](#)

[HPE0-S58 VCE Dumps](#)

[HPE0-S58 Exam Questions](#)