



# H12-261<sup>Q&As</sup>

HCIE-Routing & Switching (Written) V3.0

**Pass Huawei H12-261 Exam with 100% Guarantee**

Free Download Real Questions & Answers **PDF** and **VCE** file from:

<https://www.pass4itsure.com/h12-261.html>

100% Passing Guarantee  
100% Money Back Assurance

Following Questions and Answers are all new published by Huawei  
Official Exam Center

-  **Instant Download** After Purchase
-  **100% Money Back** Guarantee
-  **365 Days** Free Update
-  **800,000+** Satisfied Customers



**QUESTION 1**

Type 5 LSAs in OSPF are used to transmit external routes. Which of the following statements regarding Type 5 LSAs is false?

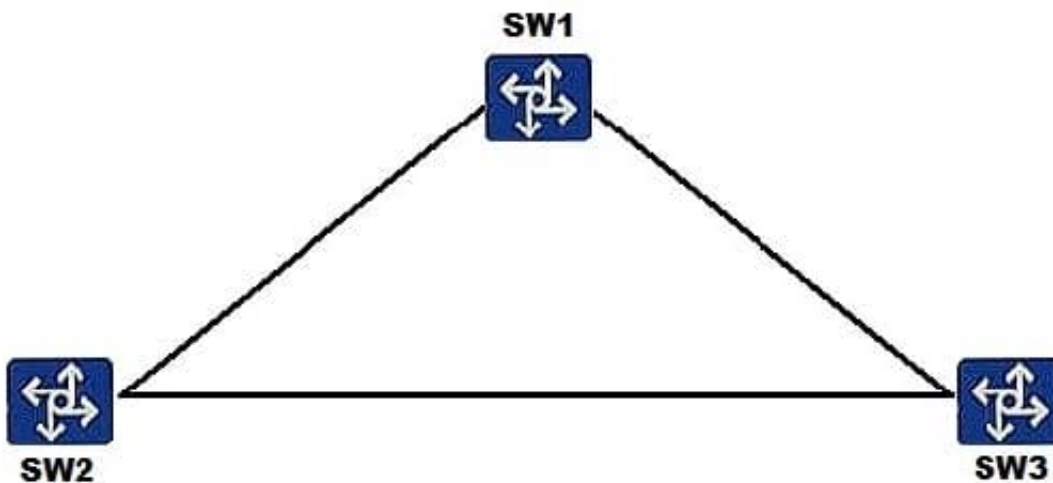
- A. Routers in the same area as the ASBR can calculate external routes through intra-area LSAs and Type 5 LSAs.
- B. Filtering policies can be configured on ABRs or ASBRs to filter Type 5 LSAs.
- C. Type 5 LSAs are advertised by ASBRs and flooded on OSPF networks except stub areas and NSSAs.
- D. A Type 5 LSA contains the FA address, which is 0.0.0.0. The FA address is reserved only and does not take effect.

Correct Answer: B

---

**QUESTION 2**

On the network shown in the figure below, SW1, SW2 and SW3 are deployed. SW1 is the root bridge, link congestion occurs between SW1 and SW2, and SW2 cannot receive configuration BPDUs sent by the root bridge. Given this information, which of the following spanning tree protection mechanisms needs to be configured to prevent problems caused by link congestion?



- A. Defense against TC BPDU attacks
- B. Root protection
- C. BPDU protection
- D. Loop protection

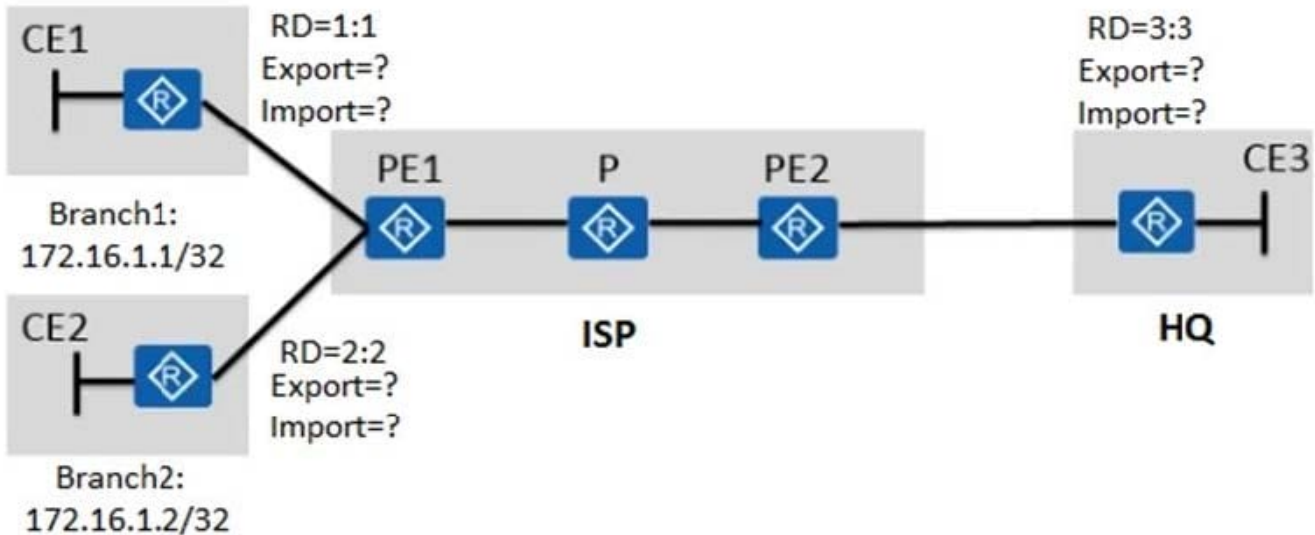
Correct Answer: B

---



### QUESTION 3

In the Hub-Spoke networking of MPLS BGP VPN shown in the figure below, users want to configure branches to communicate only with the headquarters but no other branches. To achieve this, which of the following solutions regarding RT settings can be used?



- A. Headquarters: Import Target: 2:2; Export Target: 3:3  
Branch 1: Import Target: 3:3; Export Target: 1:1  
Branch 2: Import Target: 3:3; Export Target: 2:2
- B. Headquarters: Import Target: 12:3; Export Target: 3:12  
Branch 1: Import Target: 3:12; Export Target: 12:3  
Branch 2: Import Target: 3:12; Export Target: 12:3
- C. Headquarters: Import Target: 1:1; Export Target: 3:3  
Branch 1: Import Target: 3:3; Export Target: 1:1  
Branch 2: Import Target: 3:3; Export Target: 2:2
- D. Headquarters: Import Target: 12:3; Export Target: 12:3  
Branch 1: Import Target: 12:3; Export Target: 12:3  
Branch 2: Import Target: 12:3; Export Target: 12:3

Correct Answer: B

### QUESTION 4

Which of the following statements regarding RD filters are true?

- A. The relationship between the rules of an RD filter is "OR."
- B. If an RD filter is configured but the RD of routes does not match any RD defined in the RD filter, the default matching result is "permit."
- C. Routes are filtered according to the configuration order of multiple rules.
- D. If an RD filter is not configured but used to filter routes, the matching result is "deny."

Correct Answer: AC



Reference: <https://support.huawei.com/enterprise/en/doc/EDOC1000174046/26892fde/routing-policyconfiguration-commands>

---

### QUESTION 5

A project has introduced the operation of the OSPF LSA router in the company's network. The following is true about the introduction of the route?

- A. The Advertising Route is set to
- B. netmask 0 of the ASBR router-id.
- C. link state id is set to the destination network segment address is set to
- D. Use and can be unique. A link state id advertising Router LSA identifier

Correct Answer: D

[H12-261 Practice Test](#)

[H12-261 Study Guide](#)

[H12-261 Exam Questions](#)