



EW0-100^{Q&As}

Extreme Networks Associate (ENA)

Pass Extreme Networks EW0-100 Exam with 100% Guarantee

Free Download Real Questions & Answers **PDF** and **VCE** file from:

<https://www.pass4itsure.com/ew0-100.html>

100% Passing Guarantee
100% Money Back Assurance

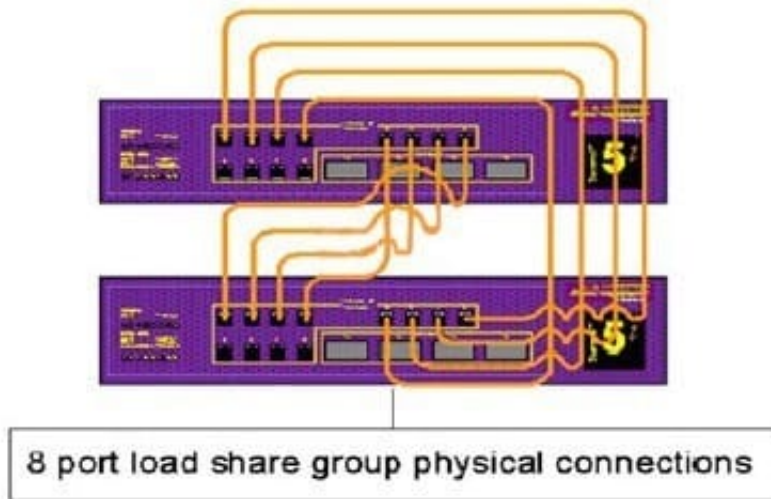
Following Questions and Answers are all new published by Extreme Networks Official Exam Center

-  **Instant Download** After Purchase
-  **100% Money Back** Guarantee
-  **365 Days** Free Update
-  **800,000+** Satisfied Customers



**QUESTION 1**

Exhibit:



You have been assigned the task of configuring an 8-port load share group between two switches that uses the address-based algorithm. Which of the following commands will provide you with the desired result?

- A. Summit #1: enable sharing 1 grouping 1-8 algorithm address-based, Summit #2:enable sharing 8 grouping 1-8 algorithm address-based
- B. Summit #1: enable sharing 1 grouping 1-8 algorithm address-based, Summit #2:enable sharing 1 grouping 1-8 algorithm address-based
- C. Summit #1: enable sharing 1 grouping 1-8 address-based algorithm, Summit #2:enable sharing 1 grouping 1-8 address-based algorithm
- D. Summit #1: enable sharing 1 grouping 1-8 address-based algorithm, Summit #2:enable sharing 8 grouping 1-8 address-based algorithm

Correct Answer: B

QUESTION 2

What steps would you take to configure an SNMP read-write community string called "EU.NT.B9" on your switch?

- A. config snmp community read-write eu.nt.b9
- B. config snmp add community read-write eu.nt.b9
- C. create snmp read-write community eu.nt.b9
- D. create snmp add read-write community eu.nt.b9



Correct Answer: A

QUESTION 3

You would use the _____ command to turn off ECMP. Do not abbreviate the CLI command.

Correct Answer: disable iproute sharing

QUESTION 4

The _____ field indicates whether IP forwarding is enabled globally when the show ipconfig command is entered.

Correct Answer: IP routing

QUESTION 5

Which of the following methods can be used to access an Extreme Networks switch?

- A. SNMP
- B. RS-232
- C. SSH2
- D. All of the above

Correct Answer: D

[EW0-100 PDF Dumps](#)

[EW0-100 VCE Dumps](#)

[EW0-100 Practice Test](#)