



E20-340^{Q&As}

Clariion solutions implementation

Pass EMC E20-340 Exam with 100% Guarantee

Free Download Real Questions & Answers **PDF** and **VCE** file from:

<https://www.pass4itsure.com/e20-340.html>

100% Passing Guarantee
100% Money Back Assurance

Following Questions and Answers are all new published by EMC
Official Exam Center

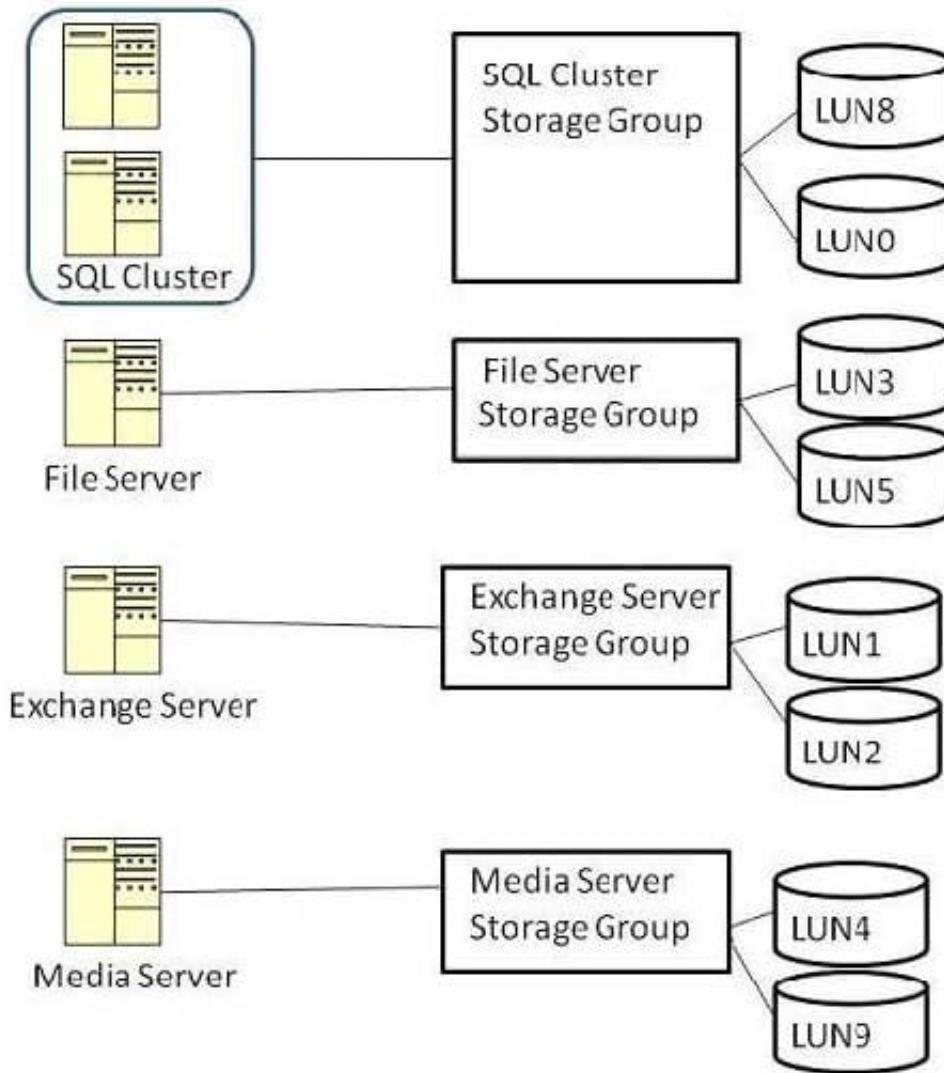
-  **Instant Download** After Purchase
-  **100% Money Back** Guarantee
-  **365 Days** Free Update
-  **800,000+** Satisfied Customers





QUESTION 1

Refer to the exhibit.



By default how many hosts will see HLU0?

- A. 5
- B. 4
- C. 1
- D. 2

Correct Answer: A

**QUESTION 2**

Which EMC utility should be used to gather information from a UNIX host?

- A. EMCGrab
- B. EMCReports
- C. HEAT
- D. SWAT

Correct Answer: A

QUESTION 3

An array has just experienced a complete loss of power to one of their racks, causing an SP to fail. Once power is restored, although data can still be accessed, latency in retrieving data has increased. Which setting is most likely causing this to happen?

- A. Verify priority
- B. Rebuild priority
- C. Initial verify
- D. Compression

Correct Answer: A

QUESTION 4

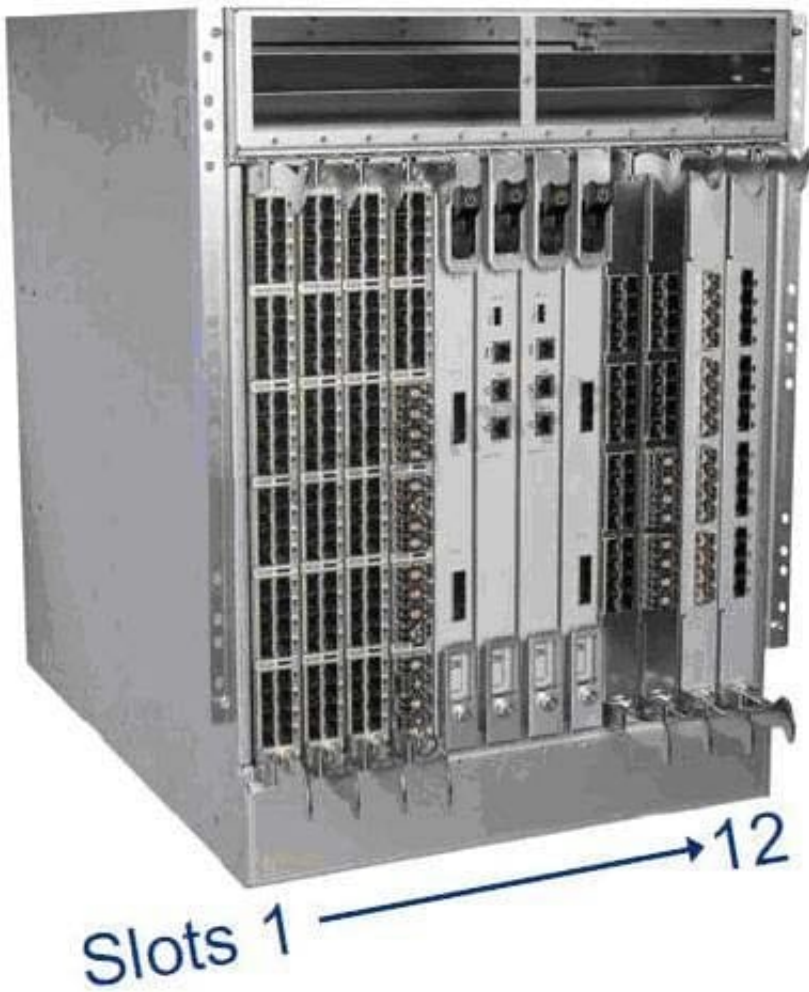
When working with FLARE 30, which tool is required when upgrading FLARE or performing a DAE upgrade?

- A. Unisphere Service Manager
- B. Unisphere Server Utility
- C. Unisphere Initialization Utility
- D. NDU Upgrade Tool

Correct Answer: A

QUESTION 5

Refer to the exhibit.



Which slots contain CR8 core blades?

- A. 5 and 8
- B. 1 and 2
- C. 4 and 10
- D. 6 and 7

Correct Answer: A

[E20-340 Practice Test](#)

[E20-340 Study Guide](#)

[E20-340 Braindumps](#)