



# DES-5121<sup>Q&As</sup>

Specialist - Implementation Engineer - Campus Networking Exam

**Pass EMC DES-5121 Exam with 100% Guarantee**

Free Download Real Questions & Answers **PDF** and **VCE** file from:

<https://www.pass4itsure.com/des-5121.html>

100% Passing Guarantee  
100% Money Back Assurance

Following Questions and Answers are all new published by EMC  
Official Exam Center

-  **Instant Download** After Purchase
-  **100% Money Back** Guarantee
-  **365 Days** Free Update
-  **800,000+** Satisfied Customers





### QUESTION 1

Which ports on a spanning tree root switch are always forwarding?

- A. Alternate ports
- B. Designated ports
- C. Backup ports
- D. Root ports

Correct Answer: B

---

### QUESTION 2

Which RSTP-PV features are embedded and cannot be disabled?

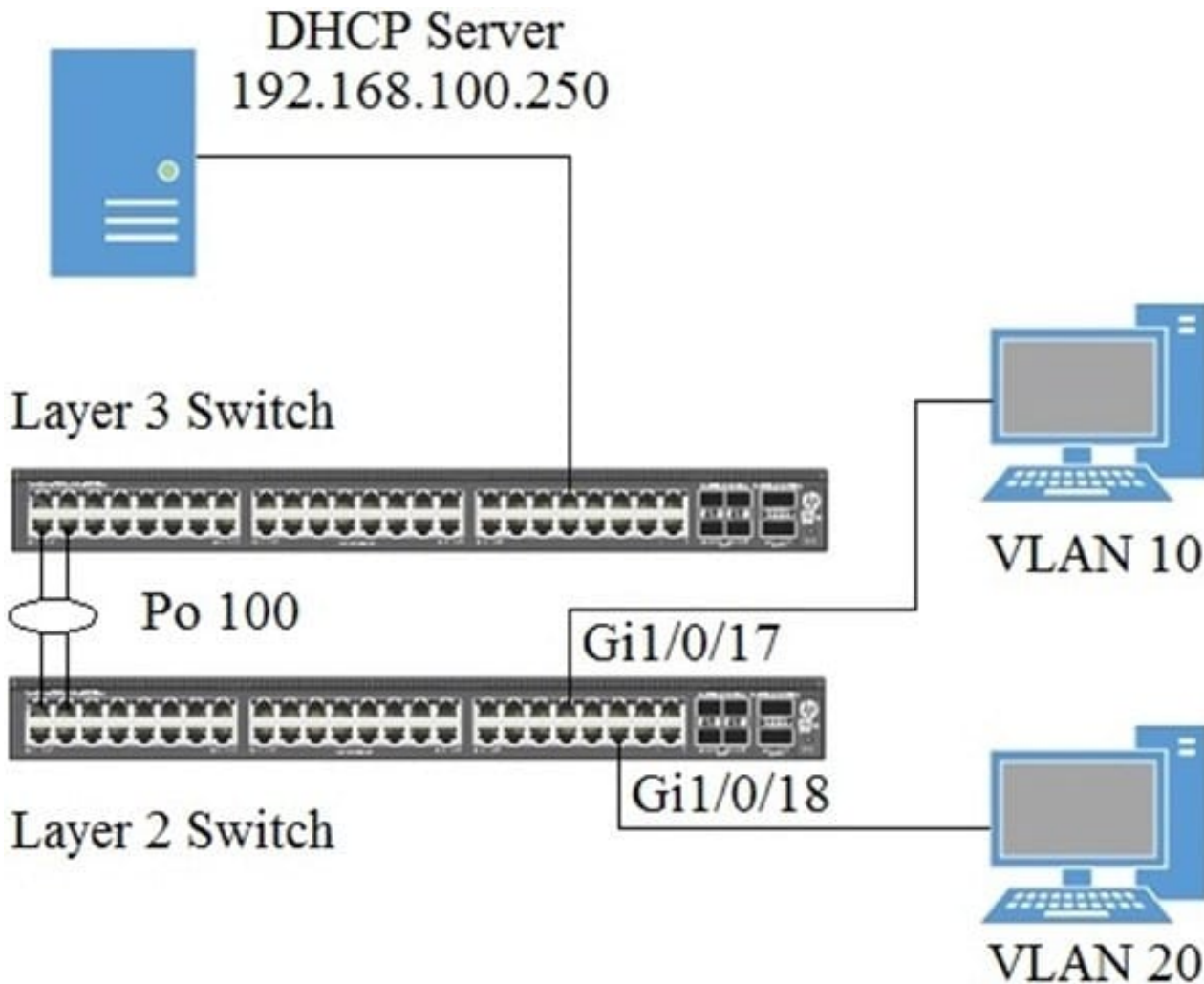
- A. DirectLink Rapid Convergence and DirectLink Fast Rapid Convergence
- B. IndirectLink Rapid Convergence and IndirectLink Fast Rapid Convergence
- C. DirectLink Rapid Convergence and IndirectLink Fast Rapid Convergence
- D. DirectLink Fast Rapid Convergence and IndirectLink Rapid Convergence

Correct Answer: C

Reference: <https://www.manualslib.com/manual/858353/Dell-Networking-N4000-Series.html?page=724>

---

### QUESTION 3



Based on the exhibit, which configuration on interface Gi1/0/18 will allow the DHCP request to reach the DHCP server for the specified VLAN?

- A. Configuration A: console(config-if-Gi1/0/18)# switchport mode general console(config-if-Gi1/0/18)# switchport general pvid 20 console(config-if-Gi1/0/18)# switchport general allowed vlan add 20 console(config-if-Gi1/0/18)# switchport general allowed vlan remove 1
- B. Configuration B: console(config-if-Gi1/0/18)# switchport access vlan 10 console(config-if-Gi1/0/18)# service-policy in dhcp\_250 console(config-if-Gi1/0/18)# switchport general allowed vlan add 20 console(config-if-Gi1/0/18)# switchport general allowed vlan remove 1
- C. Configuration C: console(config-if-Gi1/0/18)# switchport access vlan 10 console(config-if-Gi1/0/18)# ip dhcp snooping trust console(config-if-Gi1/0/18)# switchport general allowed vlan add 20 console(config-if-Gi1/0/18)# switchport general allowed vlan remove 1
- D. Configuration D: console(config-if-Gi1/0/18)# channel-group 100 mode active console(config-if-Gi1/0/18)# switchport access vlan 250 console(config-if-Gi1/0/18)# switchport general allowed vlan add 20 console(config-if-Gi1/0/18)# switchport general allowed vlan remove 1

Correct Answer: A

#### QUESTION 4



Which switchport mode is recommended for ports on a Dell EMC N-Series switch with IP phones using voice VLAN?

- A. Access
- B. Active
- C. Hybrid
- D. General

Correct Answer: D

---

### QUESTION 5

You need to configure OSPF on a DNOS 6 switch and have entered the following:

```
Switch-1(config)# ip routing Switch-1(config)# interface vlan 20 Switch-1(config-if-vlan20)# ip address 10.1.20.1 255.255.255.0
```

```
Switch-1(config)# router ospf Switch-1(config-router)# router-id 10.1.1.1
```

Based on the information referenced above, what is missing from the configuration?

- A. area 0 is missing from the ip routing command
- B. ip ospf area 0 is missing from the interface vlan 20 section
- C. router ospf is missing the routing instance
- D. area 0 is missing from the router-id command

Correct Answer: B

[DES-5121 VCE Dumps](#)

[DES-5121 Practice Test](#)

[DES-5121 Braindumps](#)