



# DEA-1TT4<sup>Q&As</sup>

Information Storage and Management v4 exam

## Pass Dell DEA-1TT4 Exam with 100% Guarantee

Free Download Real Questions & Answers **PDF** and **VCE** file from:

<https://www.pass4itsure.com/dea-1tt4.html>

100% Passing Guarantee  
100% Money Back Assurance

Following Questions and Answers are all new published by Dell Official Exam Center

-  **Instant Download** After Purchase
-  **100% Money Back** Guarantee
-  **365 Days** Free Update
-  **800,000+** Satisfied Customers





### QUESTION 1

Which product enables employees to enroll their mobile devices in an enterprise environment and ensures secure access from the devices to the enterprise resources?

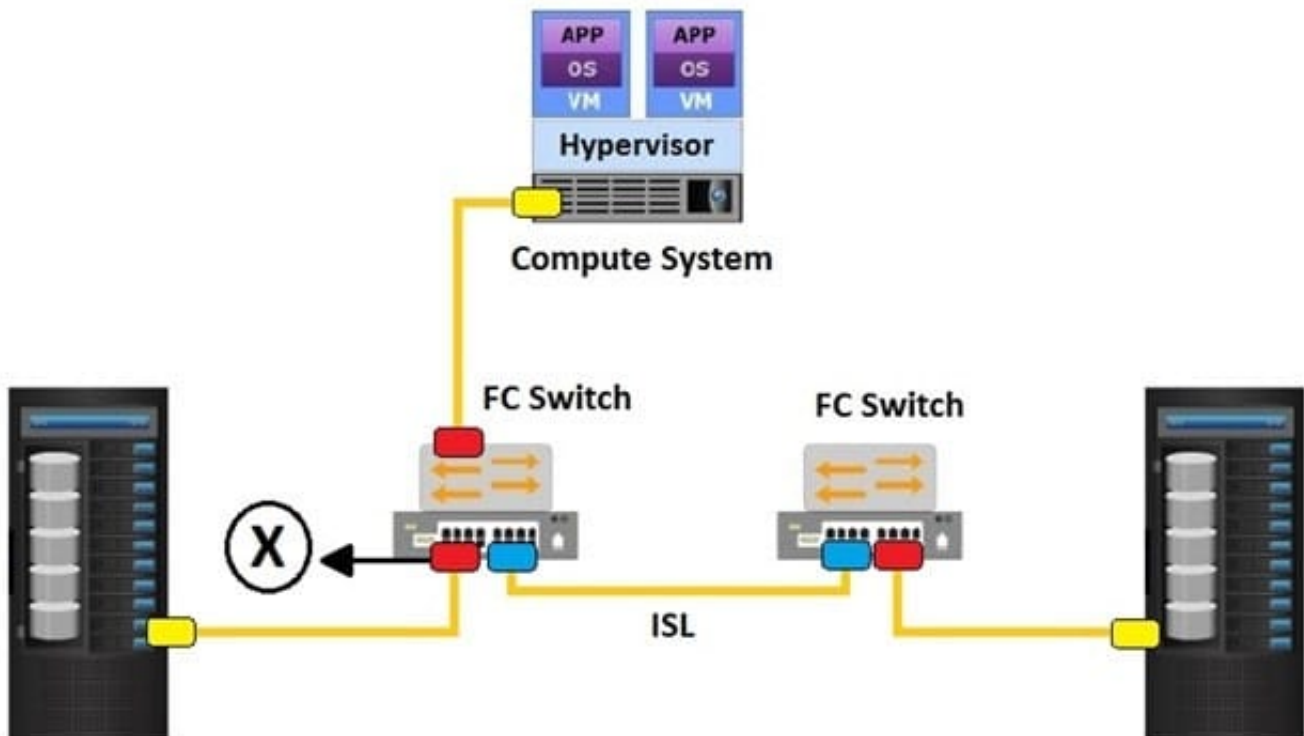
- A. Dell PowerEdge
- B. Dell InTrust
- C. VMware AirWatch
- D. VMware AppDefense

Correct Answer: C

Reference: [https://docs.vmware.com/en/VMware-Workspace-ONE-UEM/1907/WS1\\_Express/GUID-AWT-INTROAWEX.html](https://docs.vmware.com/en/VMware-Workspace-ONE-UEM/1907/WS1_Express/GUID-AWT-INTROAWEX.html)

### QUESTION 2

What does the "X" represent in the exhibit?



- A. E\_port
- B. F\_port
- C. N\_port



D. NL\_port

Correct Answer: C

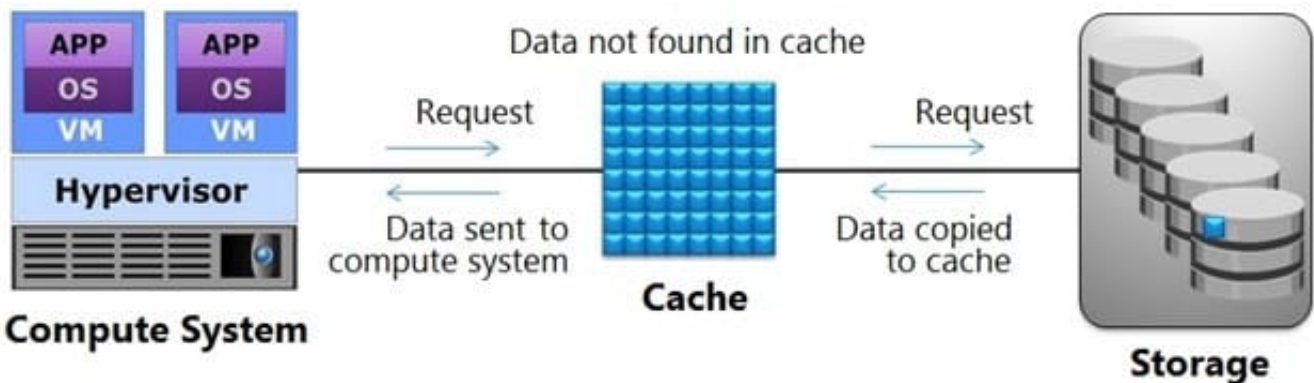
### QUESTION 3

In an FCoE switch, which function is provided by the Fibre Channel Forwarder (FCF)?

- A. Communication bridge between CEE and IP networks
- B. Communication bridge between FC and FCIP networks
- C. Communication bridge between CEE and FCIP networks
- D. Communication bridge between CEE and FC networks

Correct Answer: D

### QUESTION 4



Which operation is represented in the exhibit?

- A. Write-back Cache
- B. Read Cache Miss
- C. Write-through Cache
- D. Read Cache Hit

Correct Answer: A

Reference: <https://doc.opensuse.org/documentation/leap/virtualization/html/book-virt/cha-cachemodes.html>

### QUESTION 5

A company is planning to perform a cloud-based backup. They want to send their data over a public network to a cloud



backup device. Which security control mechanism helps to protect the data from an attacker?

- A. Multi-factor authentication
- B. Demilitarized zone
- C. Data shredding
- D. Encryption

Correct Answer: D

[Latest DEA-1TT4 Dumps](#)

[DEA-1TT4 Study Guide](#)

[DEA-1TT4 Braindumps](#)