



C9530-404^{Q&As}

IBM Integration Bus V9.0 Solution Development

Pass IBM C9530-404 Exam with 100% Guarantee

Free Download Real Questions & Answers **PDF** and **VCE** file from:

<https://www.pass4itsure.com/c9530-404.html>

100% Passing Guarantee
100% Money Back Assurance

Following Questions and Answers are all new published by IBM Official Exam Center

-  **Instant Download** After Purchase
-  **100% Money Back** Guarantee
-  **365 Days** Free Update
-  **800,000+** Satisfied Customers



**QUESTION 1**

A solution developer needs to validate an XML message in an MQInput node before doing any other bitstream parsing in subsequent nodes. The solution developer has enabled validation on content.

What additional node property configurations will allow the developer to accomplish this task?

- A. Advanced: Convert
- B. Parser Options: Parse Timing: Complete
- C. Parser Options: Parse Timing: Immediate
- D. Parser Options: Parse Timing: On Demand
- E. Input Message Parsing: Message format and Message Domain

Correct Answer: E

QUESTION 2

A solution developer is building an application that will receive an XML message on a WebSphere MQ queue. The application must validate the XML message and then transform it into a fixed format message.

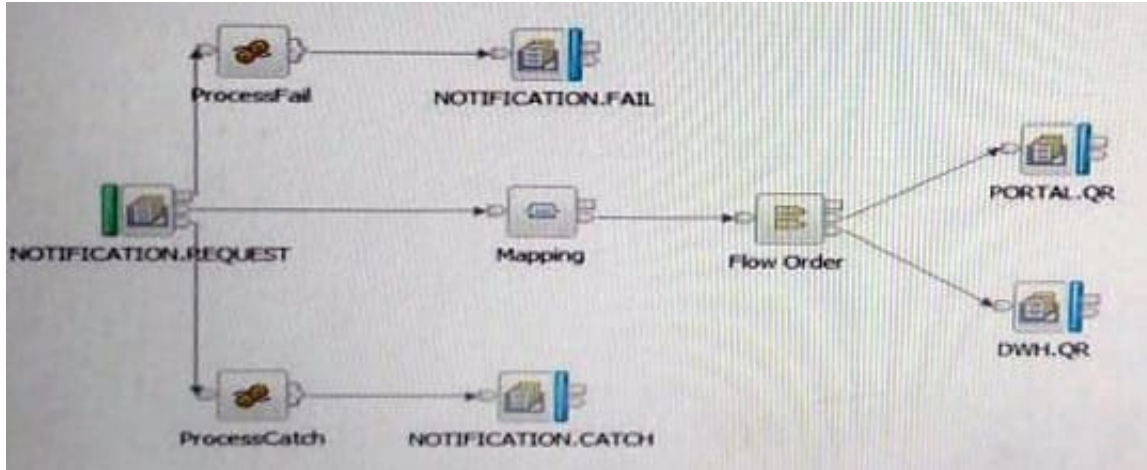
What must the developer create to support the application, using the IBM preferred way to model messages in IBM Integration Bus V9.0?

- A. An XML Schema built from an example XML document and a DFDL schema that defines the fixed format file.
- B. An XML stylesheet (xsl) built from an example XML document and a DFDL schema that that defines the fixed format file.
- C. A MRM message definition file with an XML physical format layer and a Custom Wire Format (CWF) physical format layer.
- D. A MRM message definition file with an XML physical format layer and a Tagged/Delimited String (TDS) physical format layer.

Correct Answer: C

QUESTION 3

A solution developer has created the flow shown in the exhibit below. The purpose of the flow is to receive notification messages, transform the message payload and send the messages via MQ to the Portal and DataWarehouse (DWH) systems. The developer has also implemented logic to handle various scenarios in the flow in order to trigger alerts on either the NOTIFICATION.CATCH or the NOTIFICATION.FAIL queue which are both monitored by operation support.



The following parameters and settings apply:

All messages processed by the flow are not-persistent messages. The transaction mode in the NOTIFICATION.REQUESTMQInput node has been set to Yes. The transaction mode in the DWH.QRMQOutput node has been set to No. During an MQ maintenance outage one of the destination queues, DWH.QR, was deleted by mistake. The next message that was processed caused an exception in the DWH.QRMQOutput node.

In this scenario, how many messages are sent out by the flow and to which queues?

- A. One message sent to NOTIFICATION.CATCH.
- B. One message sent to NOTIFICATION.FAIL.
- C. One message sent to PORTAL.QR. One message sent to NOTIFICATION.CATCH.
- D. One message sent to PORTAL.QR. One message sent to NOTIFICATION.FAIL.

Correct Answer: B

QUESTION 4

A solution developer is designing a message flow application that gets banking transactions from a WebSphere MQ queue. One of the requirements of the design is that the message flow must propagate the message identify user name and password to the target application. The developer has set the identify token type to Transport Default.

What additional information must the developer have to propagate the identity in this message flow?

- A. The security profile properties.
- B. The external security provider application.
- C. The location of the password in the message.
- D. The location of the user name in the message.

Correct Answer: B



QUESTION 5

A financial institution runs IBM Integration Bus V9.0 as a messaging backbone for financial payments. A legal requirement is fraud detection of the payments. This requirement should be solved with IBM Integration Bus V9.0 business rules functionality. However, rule development and flow development phases are not aligned. In production, rules get updated weekly but message flows get updated quarterly.

Which component should the solution developer use to implement this requirement?

- A. HTTPRequest node
- B. SOAPRequest node
- C. UserDefined configurable service
- D. DecisionServiceRepository configurable service

Correct Answer: A

[C9530-404 Practice Test](#)

[C9530-404 Exam Questions](#)

[C9530-404 Braindumps](#)