



C9530-404^{Q&As}

IBM Integration Bus V9.0 Solution Development

Pass IBM C9530-404 Exam with 100% Guarantee

Free Download Real Questions & Answers **PDF** and **VCE** file from:

<https://www.pass4itsure.com/c9530-404.html>

100% Passing Guarantee
100% Money Back Assurance

Following Questions and Answers are all new published by IBM Official Exam Center

-  **Instant Download** After Purchase
-  **100% Money Back** Guarantee
-  **365 Days** Free Update
-  **800,000+** Satisfied Customers



**QUESTION 1**

A solution developer needs to design a WSDL that conforms to the IBM Integration Bus V9.0 SOAP parser and node standards.

Which standard does the IBM message bus support?(Select three.)

- A. MIME 1.0
- B. WSDL 1.1
- C. WSS 1.0
- D. WS-SX 1.0
- E. WS-RM 1.0
- F. SOAP 1.1 and 1.2

Correct Answer: BEF

QUESTION 2

A company plans to emit Common Base Events to monitor the service level agreements for the Integration Bus application. To achieve this, a solution developer has to produce monitor profiles to emit events.

Which XPath expression can the developer use to produce suitable results?

- A. \$Body/Message
- B. \$LocalEnvironment
- C. \$Root/Soap/Body
- D. \$Root/Soap/Header

Correct Answer: B

QUESTION 3

A solution developer is using accounting and statistics data to find a performance issue within a message flow.

Which type of statistics should the developer use?

- A. Node statistics
- B. Thread statistics
- C. Terminal statistics
- D. Message flow statistics



Correct Answer: D

QUESTION 4

A solution developer uses a JavaCompute node to implement the mapping in a message flow. As part of that mapping, the developer used a Java class from an external library. The class is defined to throw an exception.

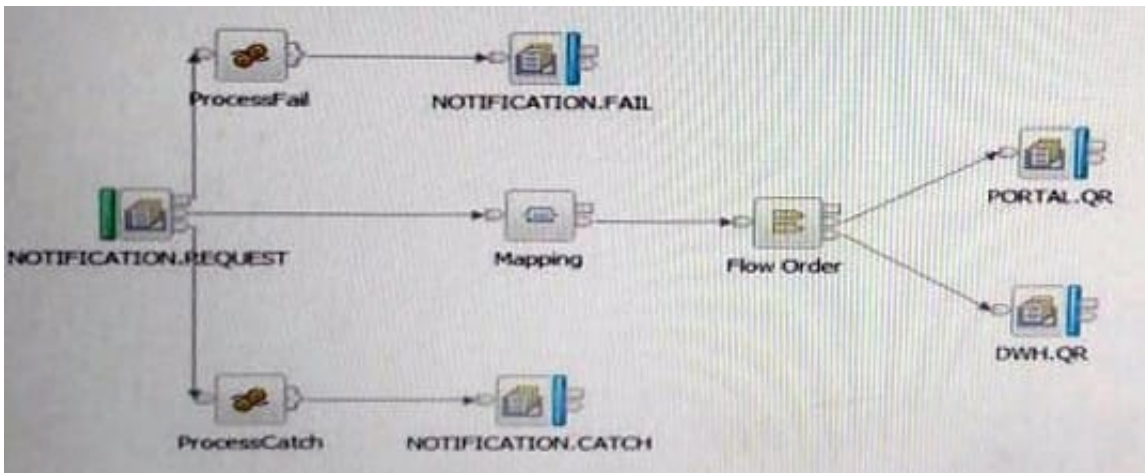
How should the developer handle the exception in the JavaCompute node to capture the exception details and escalate to the default flow error handling?

- A. Create and throw a MbException.
- B. Create and throw a MbUserException.
- C. Create and throw a MbBrokerException.
- D. Use the addNestedException method of the MbException class to escalate the exception.

Correct Answer: A

QUESTION 5

A solution developer has created the flow shown in the exhibit below. The purpose of the flow is to receive notification messages, transform the message payload and send the messages via MQ to the Portal and DataWarehouse (DWH) systems. The developer has also implemented logic to handle various scenarios in the flow in order to trigger alerts on either theNOTIFICATION.CATCHor theNOTIFICATION.FAILqueue which are both monitored by operation support.



The following parameters and settings apply:

All messages processed by the flow are not-persistent messages. The transaction mode in theNOTIFICATION.REQUESTMQInput node has been set toYes. The transaction mode in theDWH.QRMQOutput node has been sent toNo. During an MQ maintenance outage one of the destination queues,DWH.QR, was deleted by mistake. The next message that was processed caused an exception in theDWH.QRMQOutput node.

In this scenario, how many messages are sent out by the flow and to which queues?

- A. One message sent to NOTIFICATION.CATCH.



- B. One message sent to NOTIFICATION.FAIL.
- C. One message sent to PORTAL.QR. One message sent to NOTIFICATION.CATCH.
- D. One message sent to PORTAL.QR. One message sent to NOTIFICATION.FAIL.

Correct Answer: B

[C9530-404 PDF Dumps](#)

[C9530-404 Practice Test](#)

[C9530-404 Study Guide](#)