



ATM^{Q&As}

Advanced Test Manager

Pass ISTQB ATM Exam with 100% Guarantee

Free Download Real Questions & Answers **PDF** and **VCE** file from:

<https://www.pass4itsure.com/atm.html>

100% Passing Guarantee
100% Money Back Assurance

Following Questions and Answers are all new published by ISTQB
Official Exam Center

-  **Instant Download** After Purchase
-  **100% Money Back** Guarantee
-  **365 Days** Free Update
-  **800,000+** Satisfied Customers



**QUESTION 1**

Which of the following statements about management of product quality risks in mature organizations with respect to the lifecycle, is true?

K2 1 credit

- A. Mature organizations address product quality risks associated to non-functional characteristics only during the system test phase
- B. Mature organizations are aware that the contribution of testing to analysis of product quality risks is very important. The analysis should occur throughout the entire lifecycle
- C. Mature organizations don't waste time identifying the sources of risks. They only focus on identifying product quality risks
- D. Mature organizations are aware that risk management of product quality risks only occurs during testing

Correct Answer: B

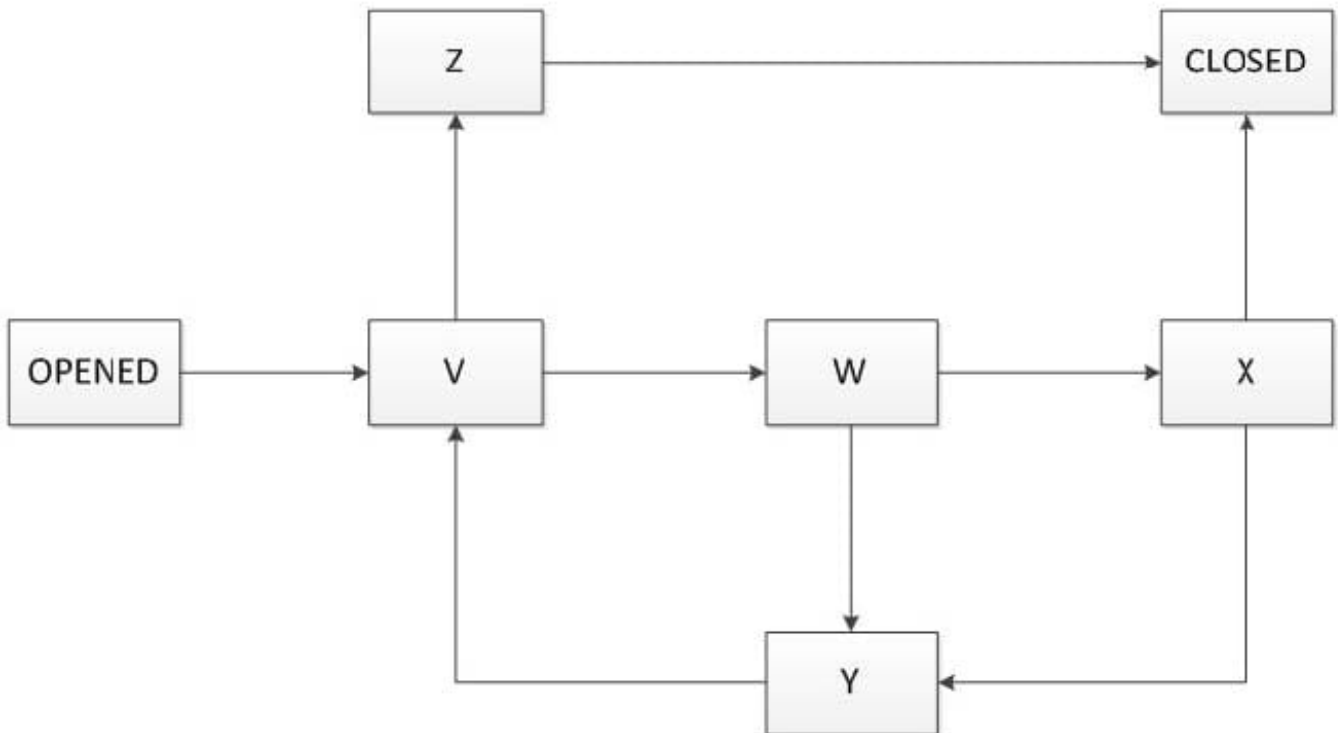
QUESTION 2

Assume you are working on a defect management process to be used by a software organization to track the current status of the defects reports for several projects.

When a defect is found for investigation a defect report is created in "Opened" state that is the unique initial state. The defect report status has also a unique finale state that is the "Closed" state.

The following state transition diagram describes the states of this defect management process:

Where only the initial ("Opened") and final ("Closed") states are indicated while the remaining states (V, W, X, Y, Z) have yet to be named.



Which of the following assignments would you expect to best complete the defect management process? K3 2 credits

- A. V=Rejected , W=Corrected , X=Validated, Y=Re-Opened, Z=Assigned
- B. V=Assigned, W=Validated , X=Corrected, Y=Re-Opened, Z=Rejected
- C. V=Assigned, W=Corrected , X=Validated, Y=Re-Opened, Z=Rejected
- D. V= Corrected, W=Assigned, X=Validated, Y=Corrected, Z=Rejected

Correct Answer: C

QUESTION 3

Consider an information system of a Pay-Tv company based on a SOA architecture.

The integrated system currently consists of three core systems:

- a CRM (Customer Relationship Management) system
- a BRM (Billing and Revenue Management) system
- a CAS (Conditional Access System) system all of them communicating with SOA Middleware.



You have been asked to manage the testing activities for the integration of two additional off-the-shelf systems from two different vendors: a SMS (Short Message Service) server and an IVR (Interactive Voice Response) system. Assume that there is a high likelihood that the two off-the-shelf systems will be low-quality and that you have a clear proof that the testing performed by the two vendors on their systems has been unsystematic and unprofessional. This obviously leads to higher quality risk for the overall integrated system.

You are the Test Manager of this project. Your main goal is to plan for testing activities to mitigate this risk.

Which of the following answers best describes the test activities (assuming it is possible to perform all of them) you should plan for?

K4 3 credits

- A. You should plan for an informal and minimal acceptance test of the two off-the-shelf systems and then a single end-to-end test of the overall integrated system
- B. You should directly plan for a single end-to-end test focused on end-to-end tests of the overall integrated system without an acceptance test of the two off-the-shelf systems
- C. You should plan for two levels: a system integration test and an end-to-end test of the overall integrated system
- D. You should plan for adequate re-testing of both the systems followed by a system integration test and an end-to-end test of the overall integrated system

Correct Answer: D

QUESTION 4

Assume that the following test cases have been executed at the end of the first week of test execution: TC001, TC-002 and TC-007. All these tests are 'passes'.

		TEST CASES									
		TC-001	TC-002	TC-003	TC-004	TC-005	TC-006	TC-007	TC-008	TC-009	TC-010
REQUIREMENTS	REQ-001	X									
	REQ-002		X	X							
	REQ-003				X						
	REQ-004				X			X			
	REQ-005					X		X			
	REQ-006						X	X			
	REQ-007								X		
	REQ-008								X		
	REQ-009	X									
	REQ-010									X	
	REQ-011				X						
	REQ-012										X

What is the MINIMUM number of the remaining test cases that must be successfully executed to fulfill the EX1 exit criteria?

K3 2 credits

- A. 4



B. 5

C. 6

D. 7

Correct Answer: A

QUESTION 5

Consider an agile team adopting Extreme Programming (XP) with five developers and one tester without any coding experience.

To which of the following activities would you expect the tester will contribute most?

K2 1 credit

A. Developing unit tests

B. Executing unit tests

C. Planning and executing tests during the integration test phase to detect interface defects

D. Supporting the customer in the execution of acceptance testing

Correct Answer: D

[ATM Study Guide](#)

[ATM Exam Questions](#)

[ATM Braindumps](#)