



# 642-999<sup>Q&As</sup>

Implementing Cisco Data Center Unified Computing

## Pass Cisco 642-999 Exam with 100% Guarantee

Free Download Real Questions & Answers **PDF** and **VCE** file from:

<https://www.pass4itsure.com/642-999.html>

100% Passing Guarantee  
100% Money Back Assurance

Following Questions and Answers are all new published by Cisco  
Official Exam Center

-  **Instant Download** After Purchase
-  **100% Money Back** Guarantee
-  **365 Days** Free Update
-  **800,000+** Satisfied Customers



**QUESTION 1**

You have a Cisco UCS C-Series Server. What can you use to log the blade server statistics?

- A. the Cisco Integrated Management Controller log
- B. RADIUS
- C. LDAP
- D. the XML API

Correct Answer: A

Reference: <http://www.cisco.com/c/en/us/products/collateral/servers-unified-computing/ucs-cseries-rack-servers/datasheet-c78-733571.html>

---

**QUESTION 2**

You have a Cisco UCS B200 M2 server configured with 12 4-GB DDR3 1333-MHz dual-voltage memory DIMMs. You learned that the server memory speed is running at 1066 MHz instead. How can you configure the server to run at maximum memory speed?

- A. You cannot configure memory speed of 1333 MHz. The maximum memory speed of a Cisco UCS B200 M2 server with 12 4-GB DIMM is 1066 MHz.
- B. Memory speed of the ESX host is configurable on VMware vCenter.
- C. Create a BIOS policy. In the RAS Memory BIOS settings, select Performance Mode for LV DDR Mode.
- D. On the CIMC of the Cisco UCS B200 M2, select 1333 MHz in the Memory Speed option.

Correct Answer: C

---

**QUESTION 3**

Scenario

In this scenario, you will refer to screenshots about Cisco UCS B-Series servers and UCS

Manager.

Instructions

To access the multiple-choice questions, click on the numbered boxes on the left of the top panel.

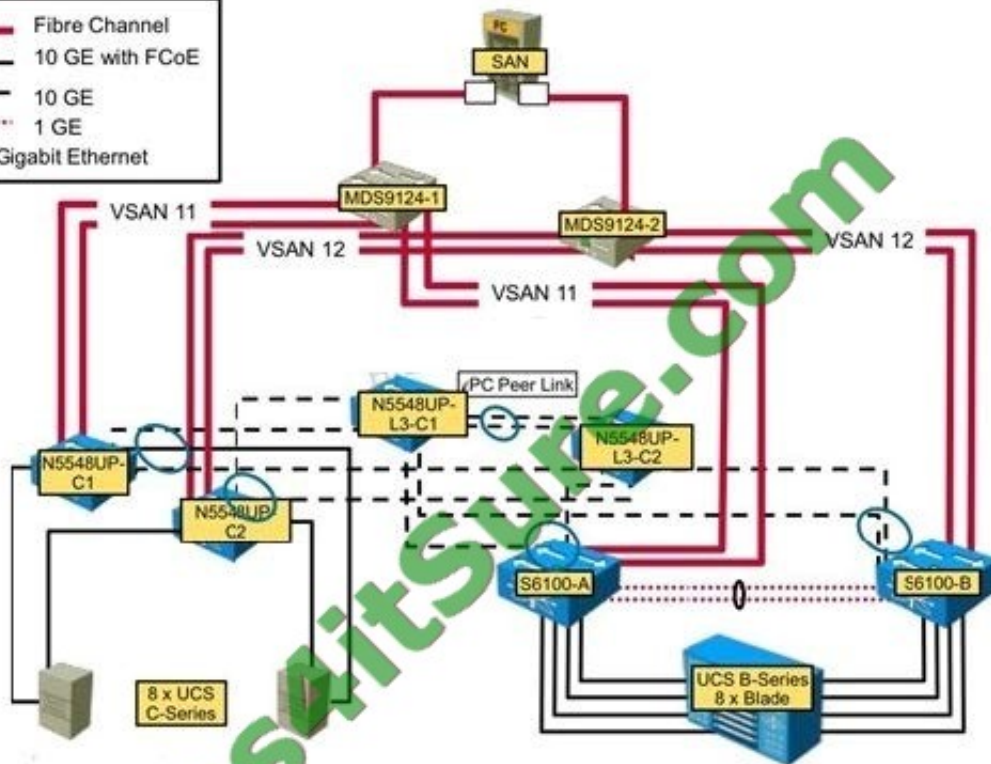
There are four multiple-choice questions with this task.

Be sure to answer all four questions before selecting the Next button.

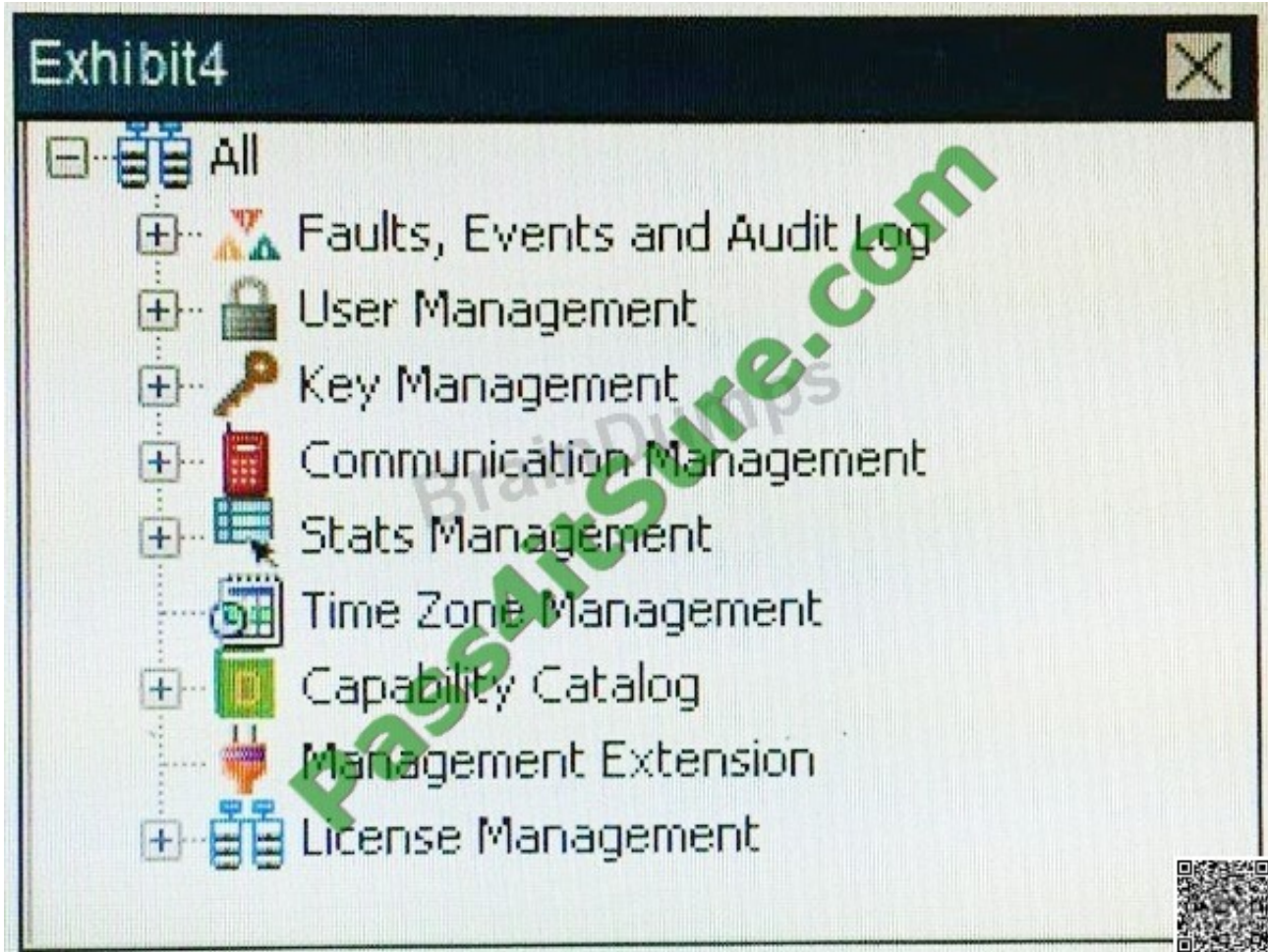


Legend:

- Fibre Channel
- 10 GE with FCoE
- 10 GE
- 1 GE
- GE = Gigabit Ethernet



```
Exhibit2
interface Vethernet749
  description server 1/1, VNIC vNIC0
  switchport mode trunk
  untagged cos 4
  no pinning server sticky
  pinning server pinning-failure link-dc
```



Refer to the Exhibit 2 screenshot of the NX-OS shell CLI in UCS Manager. What LAN policy correlates with the line "pinning server pinning-failure link-down"?

- A. Dynamic vNIC Connection
- B. Link Protocol
- C. Flow Control
- D. Network Control

Correct Answer: D

Reference: <http://www.cisco.com/c/en/us/support/docs/servers-unified-computing/ucs-5100-seriesblade-server-chassis/116075-ucs-app-connectivity-tshoot-00.html>

[http://www.cisco.com/c/en/us/td/docs/unified\\_computing/ucs/sw/gui/config/guide/2](http://www.cisco.com/c/en/us/td/docs/unified_computing/ucs/sw/gui/config/guide/2)

[2/b\\_UCSM\\_GUI\\_Configuration\\_Guide\\_2\\_2/b\\_UCSM\\_GUI\\_Configuration\\_Guide\\_2\\_2\\_chapter\\_01](#)

[0101.html#concept\\_80DD753607A0427A9874F278E172F2FA](#)

#### QUESTION 4



Which two of the listed BIOS options are required for VM-FEX in high performance mode? (Choose two.)

- A. RSS
- B. interrupt coherency
- C. virtualization technology
- D. cache validation
- E. ATS support

Correct Answer: CE

---

#### QUESTION 5

Which two policies can specify that a port channel be configured between the fabric extender and fabric interconnect? (Choose two.)

- A. chassis or fabric extender discovery policy
- B. rack server discovery policy
- C. rack management connection policy
- D. server inheritance policies
- E. autoconfig policies
- F. chassis connectivity policy

Correct Answer: AF

Reference:

[http://www.cisco.com/c/en/us/td/docs/unified\\_computing/ucs/sw/gui/config/guide/20/b\\_UCSM\\_GUI\\_Configuration\\_Guide\\_2\\_0/b\\_UCSM\\_GUI\\_Configuration\\_Guide\\_2\\_0\\_chapter\\_01](http://www.cisco.com/c/en/us/td/docs/unified_computing/ucs/sw/gui/config/guide/20/b_UCSM_GUI_Configuration_Guide_2_0/b_UCSM_GUI_Configuration_Guide_2_0_chapter_01)

100.html

[Latest 642-999 Dumps](#)

[642-999 Practice Test](#)

[642-999 Brindumps](#)



To Read the [Whole Q&As](#), please purchase the [Complete Version](#) from [Our website](#).

## Try our product !

100% Guaranteed Success  
100% Money Back Guarantee  
365 Days Free Update  
Instant Download After Purchase  
24x7 Customer Support  
Average 99.9% Success Rate  
More than 800,000 Satisfied Customers Worldwide  
Multi-Platform capabilities - [Windows](#), [Mac](#), [Android](#), [iPhone](#), [iPod](#), [iPad](#), [Kindle](#)

We provide exam PDF and VCE of Cisco, Microsoft, IBM, CompTIA, Oracle and other IT Certifications. You can view Vendor list of All Certification Exams offered:

<https://www.pass4itsure.com/allproducts>

## Need Help

Please provide as much detail as possible so we can best assist you.  
To update a previously submitted ticket:



 <p><b>One Year Free Update</b> Free update is available within One Year after your purchase. After One Year, you will get 50% discounts for updating. And we are proud to boast a 24/7 efficient Customer Support system via Email.</p>	 <p><b>Money Back Guarantee</b> To ensure that you are spending on quality products, we provide 100% money back guarantee for 30 days from the date of purchase.</p>	 <p><b>Security &amp; Privacy</b> We respect customer privacy. We use McAfee's security service to provide you with utmost security for your personal information &amp; peace of mind.</p>
---	---	--

Any charges made through this site will appear as Global Simulators Limited.  
All trademarks are the property of their respective owners.  
Copyright © pass4itsure, All Rights Reserved.