



642-447^{Q&As}

Implementing Cisco Unified Communications Manager, Part 1 v8.0
(CIPT1 v8.0)

Pass Cisco 642-447 Exam with 100% Guarantee

Free Download Real Questions & Answers **PDF** and **VCE** file from:

<https://www.pass4itsure.com/642-447.html>

100% Passing Guarantee
100% Money Back Assurance

Following Questions and Answers are all new published by Cisco
Official Exam Center

-  **Instant Download** After Purchase
-  **100% Money Back** Guarantee
-  **365 Days** Free Update
-  **800,000+** Satisfied Customers





QUESTION 1

When a user dials a telephone number from a Type A SIP phone, how are the digits analyzed by Cisco Unified Communications Manager if no SIP dial rules are configured?

- A. With a Type A SIP phone the digits are only sent en bloc.
- B. If there are no dial rules present and the user uses the Dial softkey the digits are sent to the Cisco Unified Communications Manager digit-by-digit.
- C. When no dial rules are present, digits are sent to the Cisco Unified Communications Manager digit-by- digit.
- D. When no dial rules are present, digits are sent to the Cisco Unified Communications Manager en bloc.

Correct Answer: D

QUESTION 2

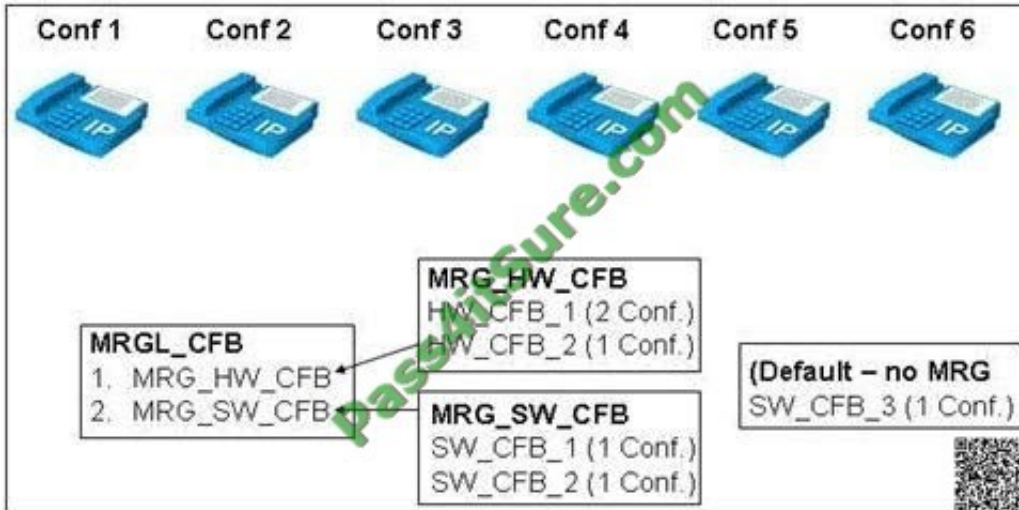
Which type of server maintains the read/write version of the configuration database and provides database services to the remaining servers in a Cisco Unified Communications Manager cluster?

- A. publisher
- B. subscriber
- C. primary
- D. standby

Correct Answer: A

QUESTION 3

Exhibit:



Refer to the exhibit. You have six IP phones making six conference calls. Which conference resource will Conference 4 use?

- A. HW_CFB_1
- B. HW_CFB_2
- C. SW_CFB_1
- D. SW_CFB_2
- E. SW_CFB_3

Correct Answer: C

There's no way SW_CFB_2 be the media resource used for the 4th conference, because SW_CFB_1 is the first option in MRG_SW_CFB after the 3 first conferences using the three resources in MRG_HW_CFB.

QUESTION 4

The Show menu in which navigation window will allow you to determine the model, type of processors, and total memory in a Cisco Unified Communications Manager 6.0 server?

- A. Cisco Unified Communications Manager Administration
- B. Cisco Unified Communications Manager Serviceability
- C. Disaster Recovery System
- D. Platform Administration
- E. Cisco Unified Operating System Administration

Correct Answer: E



QUESTION 5

What is the purpose of route filters?

- A. to reduce the size of the calling search space
- B. To reduce the number of dial peers required
- C. to limit the number of reachable destinations
- D. To reduce the number of route patterns added to the route plan
- E. to block calls to matching route patterns

Correct Answer: D

[642-447 VCE Dumps](#)

[642-447 Study Guide](#)

[642-447 Braindumps](#)



To Read the [Whole Q&As](#), please purchase the [Complete Version](#) from [Our website](#).

Try our product !

100% Guaranteed Success

100% Money Back Guarantee

365 Days Free Update

Instant Download After Purchase

24x7 Customer Support

Average 99.9% Success Rate

More than 800,000 Satisfied Customers Worldwide

Multi-Platform capabilities - [Windows](#), [Mac](#), [Android](#), [iPhone](#), [iPod](#), [iPad](#), [Kindle](#)

We provide exam PDF and VCE of Cisco, Microsoft, IBM, CompTIA, Oracle and other IT Certifications. You can view Vendor list of All Certification Exams offered:

<https://www.pass4itsure.com/allproducts>

Need Help

Please provide as much detail as possible so we can best assist you.

To update a previously submitted ticket:



 <p>One Year Free Update Free update is available within One Year after your purchase. After One Year, you will get 50% discounts for updating. And we are proud to boast a 24/7 efficient Customer Support system via Email.</p>	 <p>Money Back Guarantee To ensure that you are spending on quality products, we provide 100% money back guarantee for 30 days from the date of purchase.</p>	 <p>Security & Privacy We respect customer privacy. We use McAfee's security service to provide you with utmost security for your personal information & peace of mind.</p>
---	---	--

Any charges made through this site will appear as Global Simulators Limited.

All trademarks are the property of their respective owners.

Copyright © pass4itsure, All Rights Reserved.