



600-660^{Q&As}

Implementing Cisco Application Centric Infrastructure - Advanced

Pass Cisco 600-660 Exam with 100% Guarantee

Free Download Real Questions & Answers **PDF** and **VCE** file from:

<https://www.pass4itsure.com/600-660.html>

100% Passing Guarantee
100% Money Back Assurance

Following Questions and Answers are all new published by Cisco
Official Exam Center

-  **Instant Download** After Purchase
-  **100% Money Back** Guarantee
-  **365 Days** Free Update
-  **800,000+** Satisfied Customers



**QUESTION 1**

What are two characteristics of Cisco ACI interaction with MSTP? (Choose two.)

- A. A Cisco ACI leaf flushes all local endpoints in the received EPG when an MSTP TCN frame is received.
- B. A static path binding is required for native VLAN to carry the MST BPDUs in existing EPGs.
- C. Mis-cabling protocol is used to snoop the MSTP TCN packets.
- D. A dedicated EPG must be created for the native VLAN ID with static bindings toward the MSTP-enabled switches.
- E. The PVST simulation must be configured on external network switches to support MSTP.

Correct Answer: CD

QUESTION 2

Which two components must be configured as stretched to establish intra-VRF communication between two EPGs that are deployed in different sites and different bridge domains? (Choose two.)

- A. contract
- B. tenant
- C. application profile
- D. bridge domain
- E. EPG

Correct Answer: DE

Reference: <https://www.cisco.com/c/en/us/solutions/collateral/data-center-virtualization/application-centric-infrastructure/white-paper-c11-739609.html>

QUESTION 3

An engineer configures a new Cisco ACI Multi-Pod setup. Which action should be taken for fabric discovery to be successful for the nodes in Pod 2?

- A. Select the Route Reflector field in Pod Peering
- B. Enable the DSCP class-cos translation policy for Layer 3 traffic
- C. Configure POD 2 Data Plane TEP under the Pod Connection Profile
- D. Add the IPN subnet under the Fabric External Routing Profile

Correct Answer: D

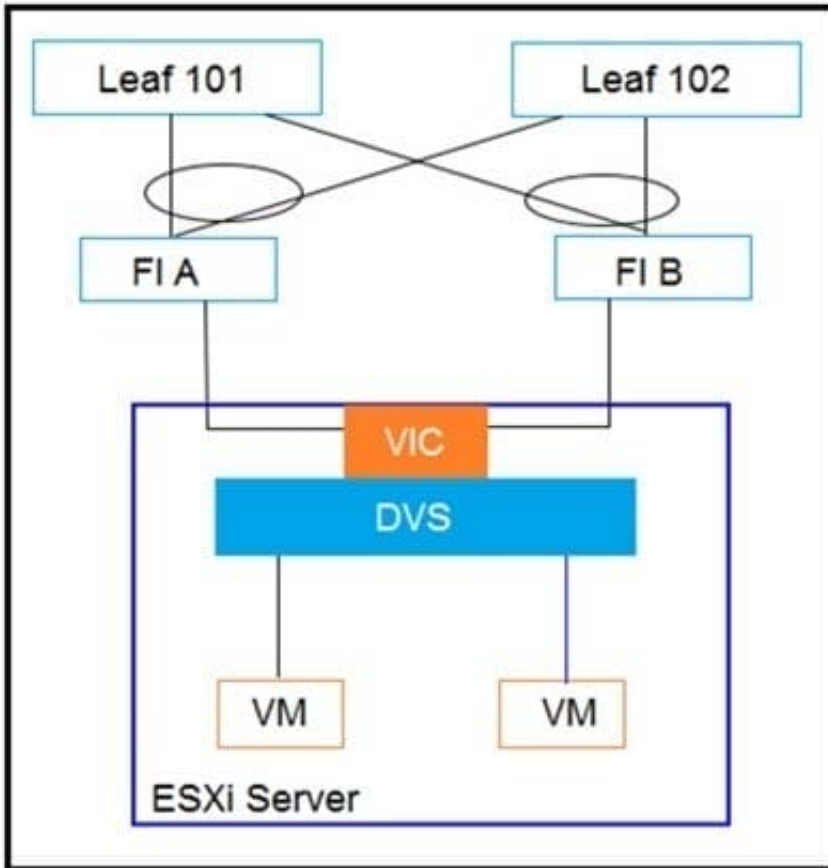
**QUESTION 4**

Refer to the exhibit. Which combination of flags in the Cisco ACI contract allows a client in WebClient EPG to establish an HTTP connection toward a server in WebServer EPG?

- A. Apply Both Direction ENABLED and Reverse Port Filter ENABLED
- B. Apply Both Direction DISABLED and Reverse Port Filter DISABLED
- C. Apply Both Direction DISABLED and Reverse Port Filter ENABLED
- D. Apply Both Direction ENABLED and Reverse Port Filter DISABLED

Correct Answer: C

QUESTION 5



Refer to the exhibit. Between Cisco UCS FIs and Cisco ACI leaf switches, CDP is disabled, the LLDP is enabled, and LACP is in Active mode. Which two discovery protocols and load-balancing mechanism combinations can be implemented for the DVS? (Choose two.)

- A. CDP enabled, LLDP disabled, and LACP Active
- B. CDP disabled, LLDP enabled, and MAC Pinning
- C. CDP enabled, LLDP disabled, and MAC Pinning
- D. CDP enabled, LLDP enabled, and LACP Active
- E. CDP enabled, LLDP disabled, and LACP Passive
- F. CDP disabled, LLDP enabled, and LACP Passive

Correct Answer: BE

[600-660 PDF Dumps](#)

[600-660 Study Guide](#)

[600-660 Exam Questions](#)