



5V0-21.19^{Q&As}

VMware vSAN 6.7 Specialist Exam 2019

Pass VMware 5V0-21.19 Exam with 100% Guarantee

Free Download Real Questions & Answers **PDF** and **VCE** file from:

<https://www.pass4itsure.com/5v0-21-19.html>

100% Passing Guarantee
100% Money Back Assurance

Following Questions and Answers are all new published by VMware
Official Exam Center

-  **Instant Download** After Purchase
-  **100% Money Back** Guarantee
-  **365 Days** Free Update
-  **800,000+** Satisfied Customers



**QUESTION 1**

An administrator wants to increase the capacity of a disk group cache device.

What is required to increase the cache device size?

- A. Hot swap the disk group cache device.
- B. Perform a storage vMotion between disk groups.
- C. Put the disk group in maintenance mode and swap the cache device.
- D. Recreate the disk group with a new cache device.

Correct Answer: D

Reference: <https://www.driftnet.ch/index.php/2017/09/05/how-to-delete-and-change-vmware-vsan-diskgroups/>

QUESTION 2

A new vSAN cluster needs to run 900 VMs and protect against one failure. What is the minimum number of nodes needed to meet the requirement?

- A. 3
- B. 4
- C. 5
- D. 6

Correct Answer: A

QUESTION 3

A vSAN all-flash environment with these host specifications has reported high network latency, write latency, and faces degraded performance:

One 1Gbps (vSAN, vMotion Traffic)

One 1Gbps (Management, Fault Tolerance traffic)

Based on the specifications of each host, what is recommended to resolve the issue?

- A. collapse all traffic into one 1Gbps NIC
- B. collapse all traffic shared under two 10Gbps NICs
- C. change stripe width to 12



D. change MTU to 9000

Correct Answer: B

QUESTION 4

A single disk in a vSAN disk group suffers from an unrecoverable hardware failure. This causes vSAN to set the health status for all disks in the group to Permanent disk loss, indicating disk failure.

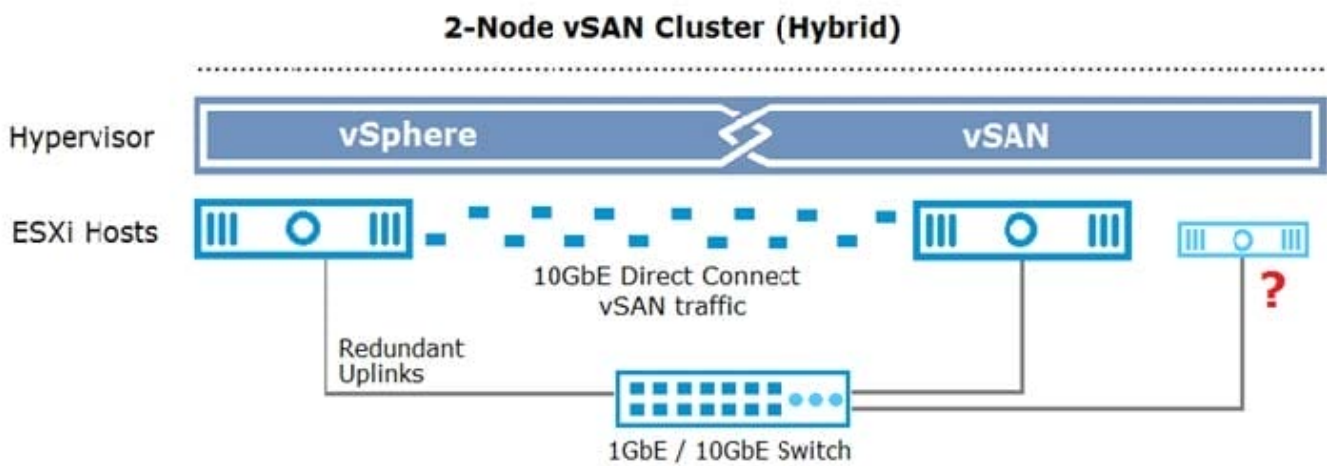
Assuming all other disks have not suffered from a hardware failure, why would vSAN mark all disks in the group as failed?

- A. The vSAN disk management service has failed.
- B. The affected vSphere host is offline.
- C. The key management server is offline.
- D. Deduplication and compression are enabled on the vSAN cluster.

Correct Answer: A

QUESTION 5

Refer to the red question mark in the exhibit.



When designing a 2-node vSAN cluster, which missing configuration requirement prevents a split-brain scenario?

- A. vRealize Operations Manager
- B. vSAN Witness Host



C. vCenter Server

D. vRealize Log Insight

Correct Answer: B

Reference: <https://storagehub.vmware.com/static/media/9352db50-6eef-45c8-9646-8ccf2175e59b.pdf>

[5V0-21.19 Study Guide](#)

[5V0-21.19 Exam Questions](#)

[5V0-21.19 Braindumps](#)