



5V0-11.21^{Q&As}

VMware Cloud on AWS Master Specialist

Pass VMware 5V0-11.21 Exam with 100% Guarantee

Free Download Real Questions & Answers **PDF** and **VCE** file from:

<https://www.pass4itsure.com/5v0-11-21.html>

100% Passing Guarantee
100% Money Back Assurance

Following Questions and Answers are all new published by VMware
Official Exam Center

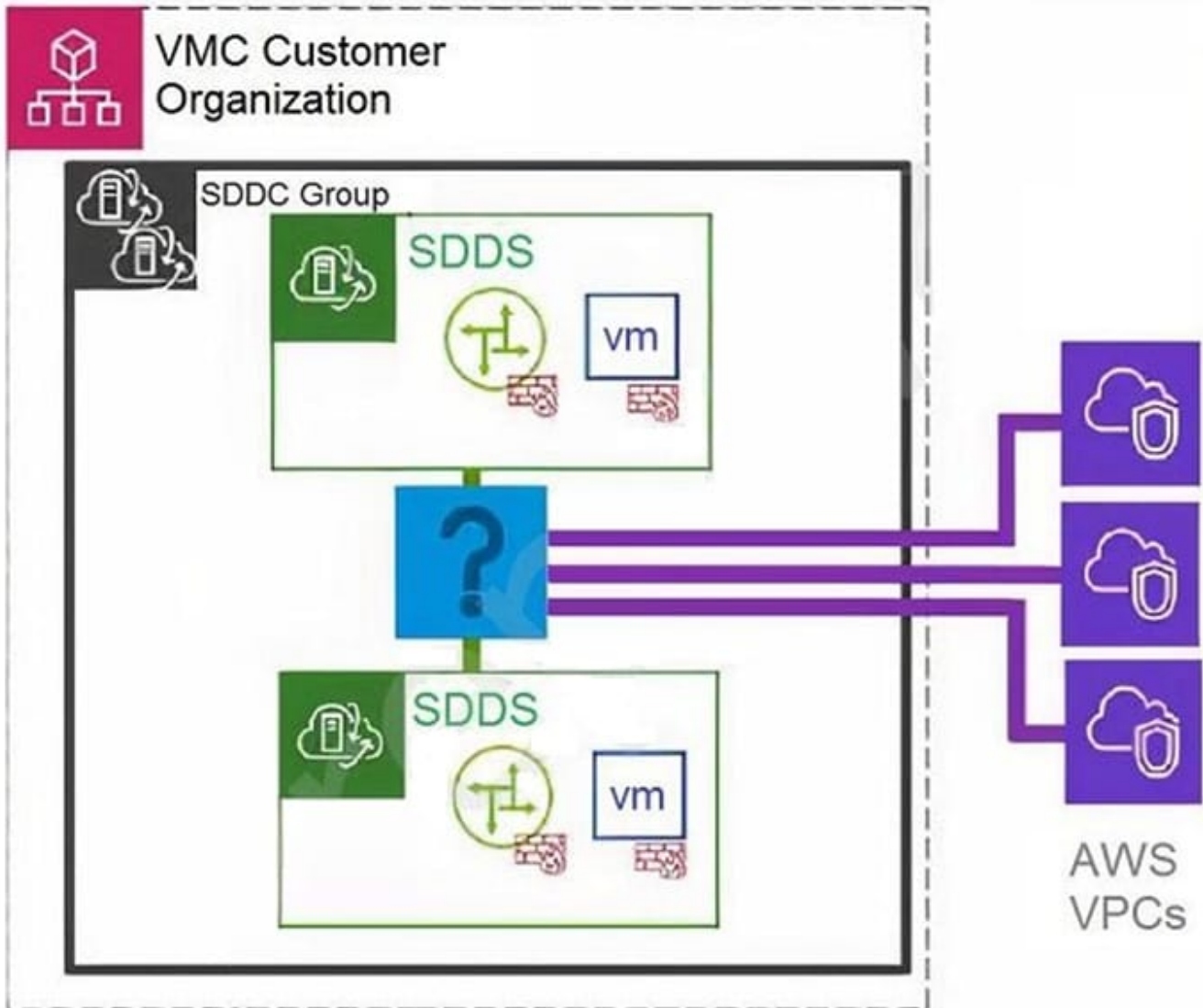
-  **Instant Download** After Purchase
-  **100% Money Back** Guarantee
-  **365 Days** Free Update
-  **800,000+** Satisfied Customers





QUESTION 1

Refer to the exhibit.



An administrator builds a software-defined data center (SDDC) group to enable connectivity to native Amazon Virtual Private Clouds (VPCs). Which connectivity option is needed to enable connectivity across environments?

- A. Tier-0 (T0) Router
- B. Transit Gateway
- C. Virtual Private Network
- D. The Default Storage Scale-Out policy storage threshold is set 5% higher than the other Elastic DRS storage policies.

Correct Answer: A

**QUESTION 2**

Where would a VMware Cloud on AWS administrator generate an API token?

- A. Organizational Settings
- B. Identity and Access Management
- C. Developer Center
- D. My Account Section

Correct Answer: D

QUESTION 3

What is a supported approach when deploying multiple instances of VMware Site Recovery with VMware Cloud on AWS?

- A. A single software-defined data center (SDDC) paired with up to 25 remote sites
- B. A single software-defined data center (SDDC) connected to multiple on-premises sites and to other cloud SDDCs
- C. VMware Site Recovery add-on deployed in the VMware vSphere Web Client
- D. VMware Site Recovery with multiple protected sites and a shared recovery site

Correct Answer: B

QUESTION 4

A consultant is asked to help evaluate an environment for deployment into a new software-defined data center (SDDC) in VMware Cloud on AWS. The consultant is provided with a comma-separated value (CSV) file containing a list of workloads exported from VMware vCenter detailing only virtual machine configuration data, including vCPU, vRAM, and utilized storage. How should the consultant use the VMC on AWS Sizer?

- A. Use the Advanced Sizer. Create workload profiles for the different workload types and set the values for configured resources manually.
- B. Use the Advanced Sizer. Import the CSV file from VMware vCenter Server and let the VMware Cloud on AWS Sizer set the values for configured resources.
- C. Use the Advanced Sizer. Import the CSV file from VMware vCenter Server and let the VMware Cloud on AWS Sizer set the values for configured resources.
- D. Use the Quick Sizer. Manually enter the number of virtual machines and total resources for configured resources.

Correct Answer: D



QUESTION 5

An administrator is asked to create a new network segment in VMware Cloud on AWS. This network segment should be accessible from the on-premises data center. How would the administrator create this new network and what segment type should it be?

- A. Connect to the on-premises VMware vCenter Server and create the network segment through the VMware vSphere user interface. Select the stretched network segment type.
- B. Connect to the VMware Cloud console to create the network segment. Select the routed network segment type.
- C. Connect to the VMware Cloud console to create the network segment. Select the extended network segment type.
- D. Connect to the VMware Cloud on AWS vCenter Server and create the network segment through the VMware vSphere user interface. Select the routed network segment type.

Correct Answer: C

[5V0-11.21 VCE Dumps](#)

[5V0-11.21 Exam Questions](#)

[5V0-11.21 Braindumps](#)