



500-170^{Q&As}

Designing the FlexPod Solution

Pass Cisco 500-170 Exam with 100% Guarantee

Free Download Real Questions & Answers **PDF** and **VCE** file from:

<https://www.pass4itsure.com/500-170.html>

100% Passing Guarantee
100% Money Back Assurance

Following Questions and Answers are all new published by Cisco
Official Exam Center

-  **Instant Download** After Purchase
-  **100% Money Back** Guarantee
-  **365 Days** Free Update
-  **800,000+** Satisfied Customers





QUESTION 1

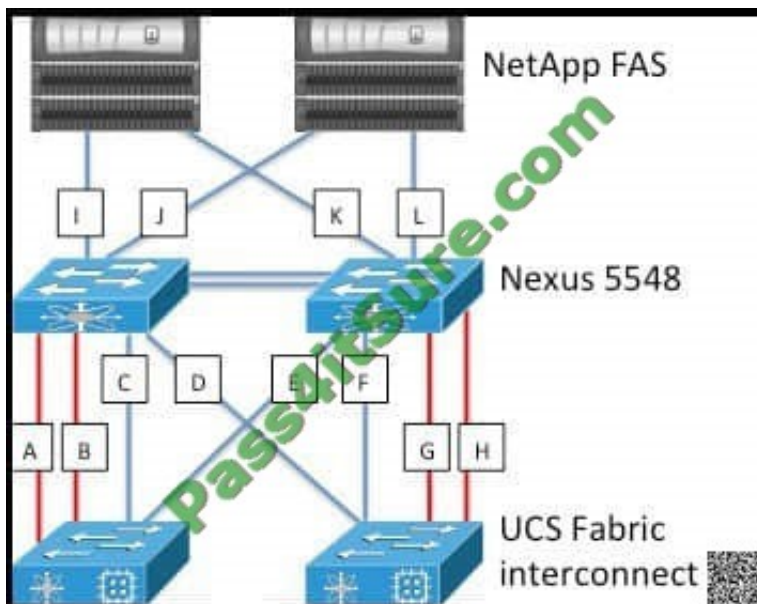
Which four are components of Cisco UCS stateless computing? (Choose four)

- A. Utilization of service profiles to apply parameter settings from server hardware
- B. Elements of a server's personality, which may be included in a service profile, include firmware versions, UUID, MAC Addresses, World Wide Names, and boot settings.
- C. A one to one mapping of an application to a server
- D. Boot from SAN
- E. Every physical server in a Cisco UCS instance should remain anonymous until you associate a service profile with it
- F. A one to one mapping to the identity information burned into the hardware (mac addresses, etc).

Correct Answer: ABDE

QUESTION 2

Refer to the exhibit.



Following FlexPod recommended practices, which portchannel configuration is valid for the connectivity shown?

- A. A and B. portchannel 1C and E. po2 and vpc 2D and F. po3 and vpc 3G and H. portchannel 1I and K. po11 and vpc 11J and L. po12 and vpc 12
- B. A and B. vpc 1C and E. po2 and vpc 2D and F. po3 and vpc 3G and H. vpc 4I and K. po11 and vpc 11J and L. po12 and vpc 12
- C. A and B. portchannel 1C and D. po2 and vpc 2E and F. po3 and vpc 3G and H. portchannel 4I and J. po11 and vpc 11K and L. po12 and vpc 12



D. A and B. portchannel 1C and D. vpc 2E and F. vpc 2G and H. portchannel 4I and J. vpc 11K and L. vpc

E. A and B. po1 and vpc 1C and D. po2 and vpc 2E and F. po3 and vpc 3G and H. po4 and vpc 4I and J. po11 and vpc 11K and L. po12 and vpc 12

Correct Answer: A

QUESTION 3

Which four are improvements in Hyper-V capabilities in Windows Server 2012 vs. Windows Server 2008 R2? (Choose four)

- A. Increased cluster nodes supported from 16 to 64
- B. VM guest clustering via iSCSI only
- C. SR-IOV networking support
- D. Network QoS support
- E. VM trunk mode
- F. Live migration with five concurrent migration maximum
- G. Physical memory support up to 1 TB
- H. VM memory up to 64 GB

Correct Answer: ACDE

QUESTION 4

What software program manages a NetApp storage controller with Data ONTAP 8.1 or later?

- A. FilerView
- B. OnCommand System Manager
- C. UCS Manager
- D. Web Browser

Correct Answer: B

QUESTION 5

Which Microsoft Hyper-V and System Center VMM feature allows for creation of multiple VM networks on top of a logical network and allows for tenant use of overlapping IP addresses?

- A. Load Balancer Integration



- B. Network Virtualization
- C. VLAN-based configuration
- D. Stateless Transport Protocol

Correct Answer: B

[500-170 PDF Dumps](#)

[500-170 Study Guide](#)

[500-170 Braindumps](#)



To Read the [Whole Q&As](#), please purchase the [Complete Version](#) from [Our website](#).

Try our product !

100% Guaranteed Success

100% Money Back Guarantee

365 Days Free Update

Instant Download After Purchase

24x7 Customer Support

Average 99.9% Success Rate

More than 800,000 Satisfied Customers Worldwide

Multi-Platform capabilities - [Windows](#), [Mac](#), [Android](#), [iPhone](#), [iPod](#), [iPad](#), [Kindle](#)

We provide exam PDF and VCE of Cisco, Microsoft, IBM, CompTIA, Oracle and other IT Certifications. You can view Vendor list of All Certification Exams offered:

<https://www.pass4itsure.com/allproducts>

Need Help

Please provide as much detail as possible so we can best assist you.

To update a previously submitted ticket:



 <p>One Year Free Update Free update is available within One Year after your purchase. After One Year, you will get 50% discounts for updating. And we are proud to boast a 24/7 efficient Customer Support system via Email.</p>	 <p>Money Back Guarantee To ensure that you are spending on quality products, we provide 100% money back guarantee for 30 days from the date of purchase.</p>	 <p>Security & Privacy We respect customer privacy. We use McAfee's security service to provide you with utmost security for your personal information & peace of mind.</p>
---	---	--

Any charges made through this site will appear as Global Simulators Limited.

All trademarks are the property of their respective owners.

Copyright © pass4itsure, All Rights Reserved.