



# 50-696<sup>Q&As</sup>

Foundations of Novell Open Enterprise Server NetWare

## Pass Novell 50-696 Exam with 100% Guarantee

Free Download Real Questions & Answers **PDF** and **VCE** file from:

<https://www.pass4itsure.com/50-696.html>

100% Passing Guarantee  
100% Money Back Assurance

Following Questions and Answers are all new published by Novell  
Official Exam Center

-  **Instant Download** After Purchase
-  **100% Money Back** Guarantee
-  **365 Days** Free Update
-  **800,000+** Satisfied Customers



**QUESTION 1**

A new employee has been hired by your company. She will be a member of a workgroup that creates your company's marketing materials.

All workgroup files are stored on the WIDGET2 server in the MASTER directory on the DATA volume. She needs to be able to open and read existing files as well as modify them. She will also need to be able to create new files as well as

delete old files. She will need to modify the file names of existing files from time to time. What rights assignments does she need to the MASTER directory to accomplish her work?

- A. Read
- B. Read, File Scan
- C. Read, Write, Create
- D. Read, Access Control
- E. Read, Write, File Scan
- F. Read, Write, Create, Erase
- G. Read, Write, Create, Erase, Modify

Correct Answer: G

---

**QUESTION 2**

You have several OES NetWare servers in your server room. You want to disable the SOUND BELL FOR ALERTS parameter to eliminate excessive beeps. Which command would you use to do this?

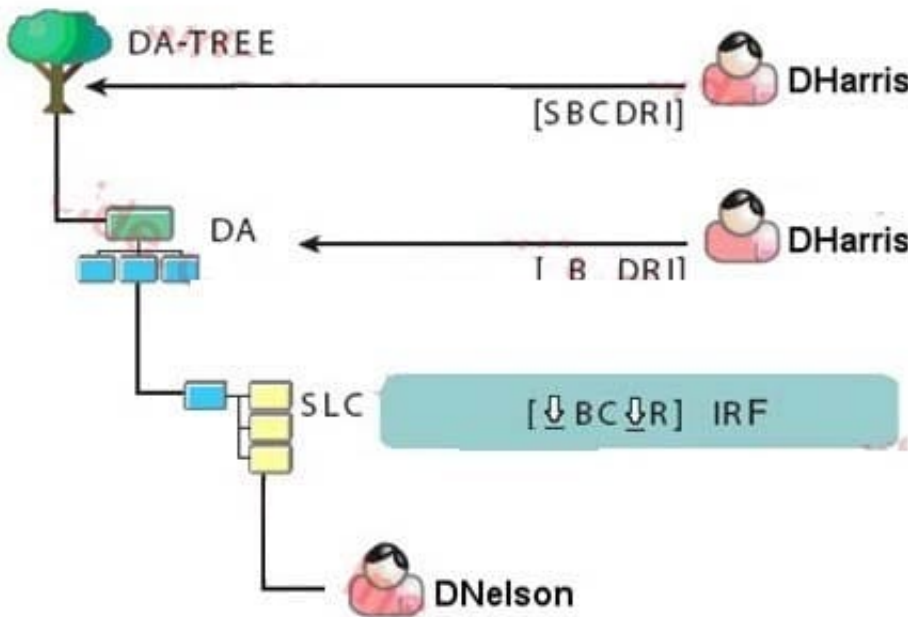
- A. SOUND BELL FOR ALERTS = OFF
- B. DISABLE SOUND BELL FOR ALERTS
- C. SET SOUND BELL FOR ALERTS = OFF
- D. SOUND BELL FOR ALERTS = DISABLED
- E. SET SOUND BELL FOR ALERTS = DISABLED

Correct Answer: C

---

**QUESTION 3**

Click the Exhibit button to begin.



Given the explicit rights assignments and the IRFs shown, what rights does the DHarris user object have to the DNelson user object?

- A. Browse
- B. Rename
- C. Supervisor
- D. Browse, Rename
- E. Browse, Create, Rename
- F. Browse, Create, Delete, Rename, Inheritable
- G. Supervisor, Browse, Create, Delete, Rename, Inheritable

Correct Answer: D

#### QUESTION 4

Click the Point and Click button to begin.

Click the icon that represents an eDirectory Organizational Role object.

Hot Area:



Correct Answer:

**QUESTION 5**

Which product can be used to track eDirectory security issues? (Choose 2.)

- A. OpenSSH
- B. BindView
- C. NMAP.EXE
- D. BURGLAR.NLM
- E. SETPASS.NLM
- F. Novell NSure Audit
- G. Novell Branch Office Server
- H. Novell exteNd Application Server

Correct Answer: BF

[Latest 50-696 Dumps](#)

[50-696 Practice Test](#)

[50-696 Study Guide](#)