



# 4A0-N01<sup>Q&As</sup>

Nuage Networks Virtualized Cloud Services (VCS) Fundamentals

## Pass Nokia 4A0-N01 Exam with 100% Guarantee

Free Download Real Questions & Answers **PDF** and **VCE** file from:

<https://www.pass4itsure.com/4a0-n01.html>

100% Passing Guarantee  
100% Money Back Assurance

Following Questions and Answers are all new published by Nokia  
Official Exam Center

-  **Instant Download** After Purchase
-  **100% Money Back** Guarantee
-  **365 Days** Free Update
-  **800,000+** Satisfied Customers



**QUESTION 1**

Consider a domain with 3 subnets; each subnet has one virtual machine. Each virtual machine is created on a different HV. How many EVPNs are created on each HV with backhaul VPLS AND without backhaul VPLS?

- A. With backhaul VPLS, there is 1 EVPN; without backhaul VPLS, there are 4 EVPNs on each HV.
- B. With backhaul VPLS, there is 1 EVPN; without backhaul VPLS, there are 3 EVPNs on each HV.
- C. With backhaul VPLS, there are 2 EVPNs; without backhaul VPLS, there are 4 EVPNs on each HV.
- D. With backhaul VPLS, there are 2 EVPNs; without backhaul VPLS, there are 3 EVPNs on each HV.

Correct Answer: B

---

**QUESTION 2**

What statement regarding active/standby VSD cluster is TRUE?

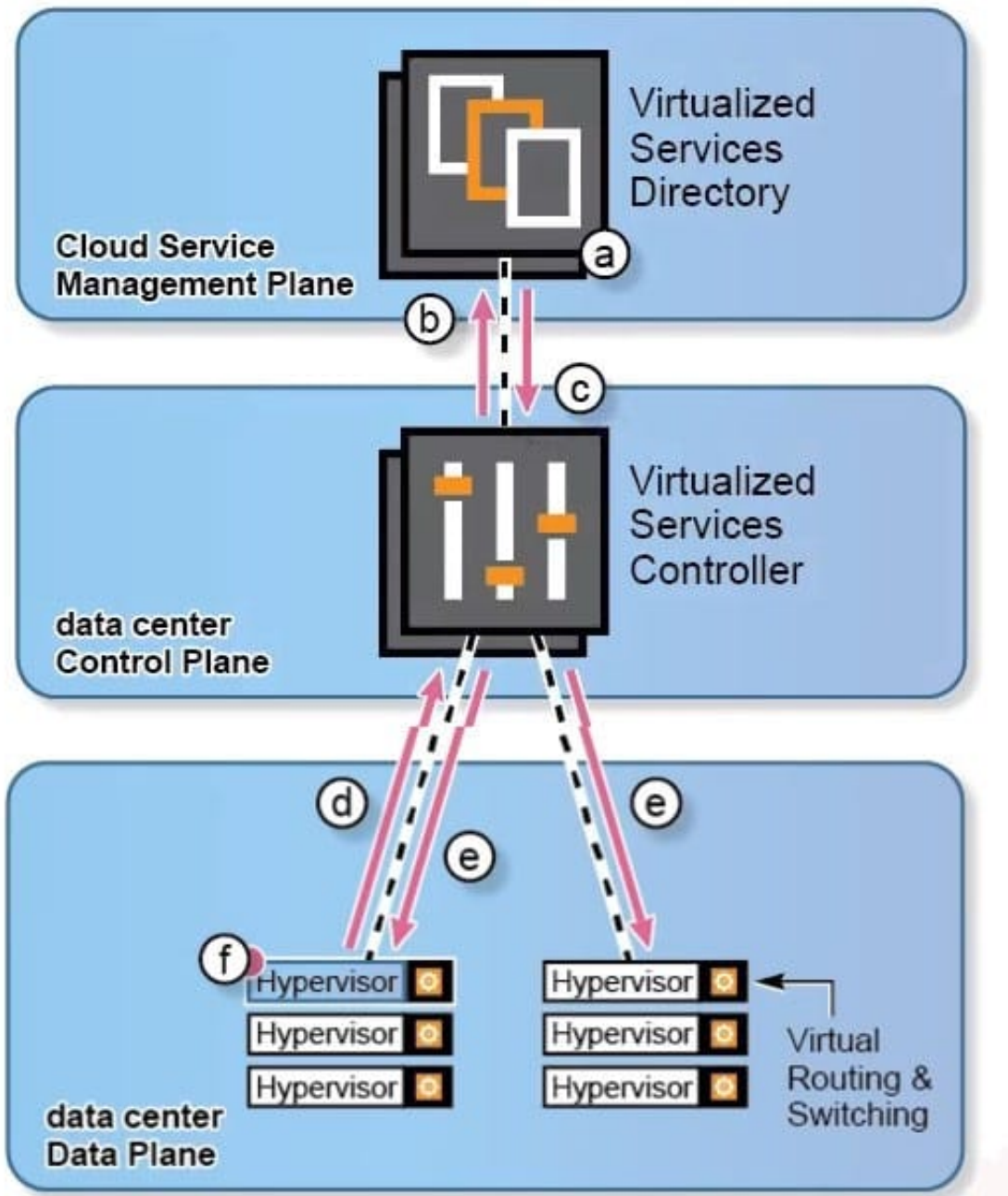
- A. Both the primary and secondary cluster are running all VSD services.
- B. XMPP connections to the secondary cluster are blocked.
- C. The active/standby mode is also supported in standalone VSD.
- D. VSP components (eg: VSCs) need reconfiguration after failover.

Correct Answer: C

---

**QUESTION 3**

Refer to the diagram.



What is the correct sequence of events for a VM to be instantiated, and for its required network connectivity to be created with the Nuage VCS solution?

a.

Network domain and policy templates are defined on VSD.

b.

VSC queries VSD on network service and policies.

c.

VSD provides VSC with network service and policies.



d.

VRS agent informs VSC of the new VM placement.

e.

VSC deploys policy to applicable VRS agents.

f.

VM instantiated on the hypervisor.

A.

a->b->c->d->e->f

B.

a->b->c->f->d->e

C.

a->f->d->b->c->e

D.

f->d->b->a->c->e

Correct Answer: D

---

#### QUESTION 4

Which of the following interfaces does NOT belong to the underlay network?

A. Interface on VSD

B. "Control" interface on VSC

C. Openflow interface on VSC

D. Hypervisor interfaces carrying VXLAN traffic.

Correct Answer: B

---

#### QUESTION 5

Which two elements of the Nuage Networks VCS Solution act respectively as the control and data plane of a virtual router?



- A. VSD and VSC
- B. VSC and VSG
- C. VSC and VRS
- D. VSD and VSG

Correct Answer: C

Reference: [https://www.nuagenetworks.net/wp-content/uploads/2020/06/Nuage\\_Networks\\_VSP\\_Data\\_Sheet\\_EN.pdf](https://www.nuagenetworks.net/wp-content/uploads/2020/06/Nuage_Networks_VSP_Data_Sheet_EN.pdf)

[Latest 4A0-N01 Dumps](#)

[4A0-N01 Study Guide](#)

[4A0-N01 Exam Questions](#)