



# 4A0-106<sup>Q&As</sup>

Alcatel-Lucent Virtual Private Routed Networks

## Pass Alcatel-Lucent 4A0-106 Exam with 100% Guarantee

Free Download Real Questions & Answers **PDF** and **VCE** file from:

<https://www.pass4itsure.com/4a0-106.html>

100% Passing Guarantee  
100% Money Back Assurance

Following Questions and Answers are all new published by Alcatel-Lucent Official Exam Center

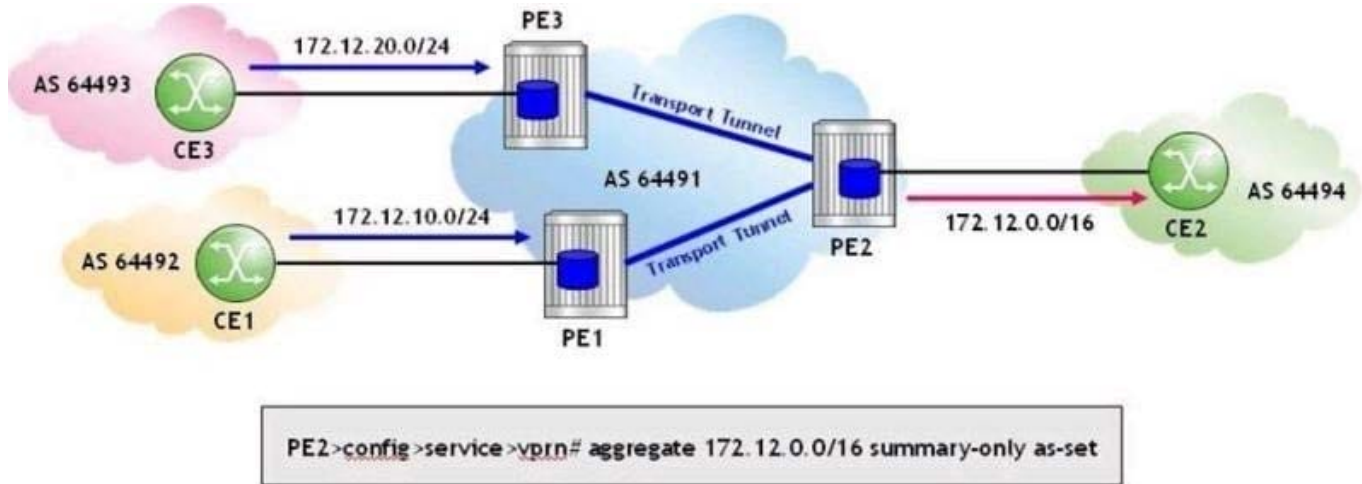
-  **Instant Download** After Purchase
-  **100% Money Back** Guarantee
-  **365 Days** Free Update
-  **800,000+** Satisfied Customers





### QUESTION 1

Click the exhibit.



If the displayed command is executed, what is the correct value of AS-Path in the BGP route 172.12.0.0/16 advertised by PE2?

- A. 64491 {64492 64493}
- B. 64491
- C. 64492 64493 64491
- D. {64492 64493}64491

Correct Answer: A

### QUESTION 2

VPN-IPv4 addressing is made unique by defining an address structure consisting of:

- A. A 32 bit IPv4 address followed by a 64 bit Route Target
- B. A 32 bit IPv4 address followed by a 64 bit Route Distinguisher
- C. A 64 bit Route Target followed by a 32 bit IPv4 address
- D. A 64 bit Route Distinguisher followed by a 32 bit IPv4 address
- E. A 32 bit Route Distinguisher followed by a 32 bit IPv4 address FA 32 bit Route Target followed by a 32 bit IPv4 address

Correct Answer: D



### QUESTION 3

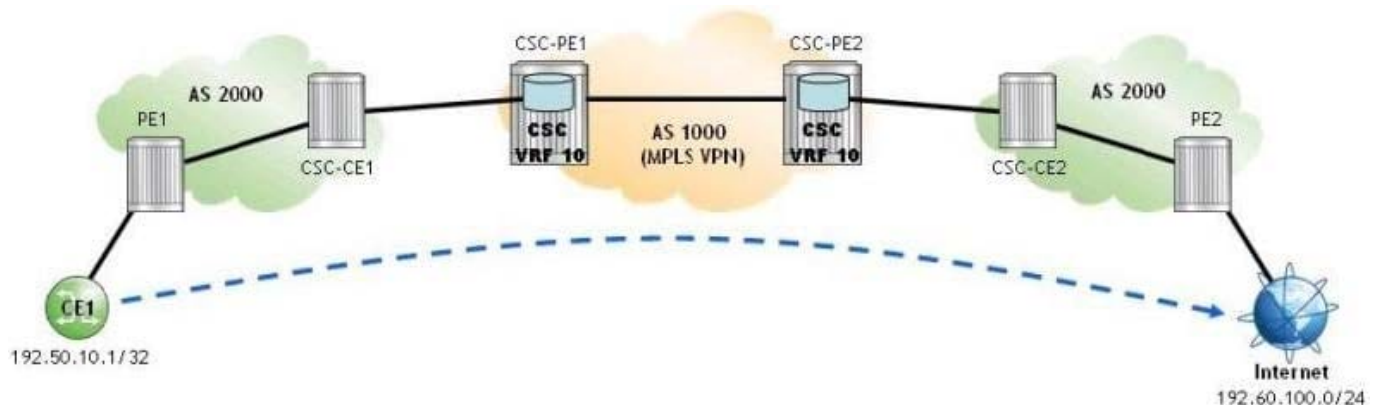
In a VPRN, how does the service provider ensure that customer addresses are unique when multiple customers use the same address space?

- A. It is the customer responsibility to ensure their address space is unique
- B. The Route Distinguisher ensures that addresses are unique between customers.
- C. The Route Target ensures that addresses are unique between customers
- D. The provider will advise the customers to change their addresses
- E. The provider will use NAT to ensure that addresses are unique between customers

Correct Answer: B

### QUESTION 4

Click the exhibit.



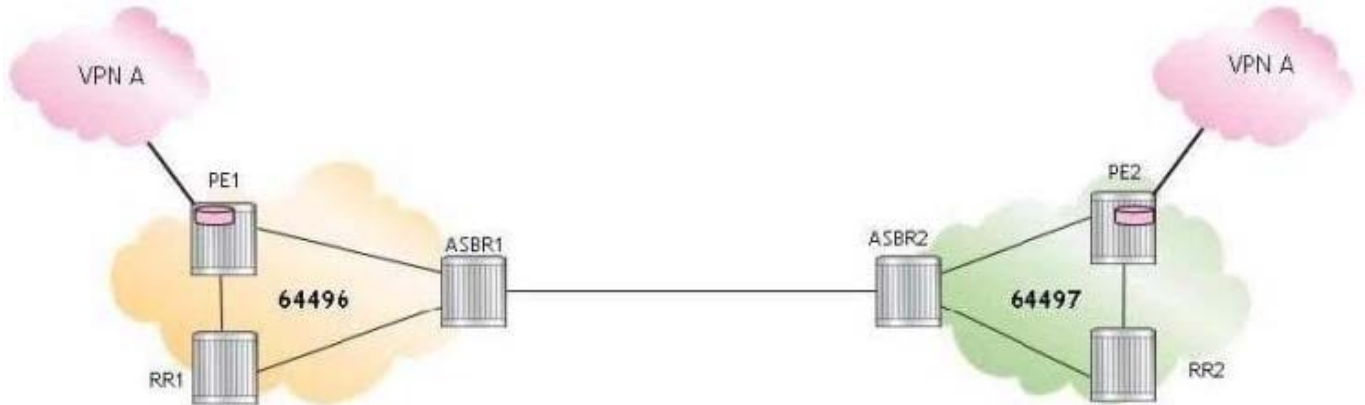
A Carrier Supporting Carrier (CSC) VPRN is configured for a customer carrier who is an Internet Service Provider (ISP). If CE1 sends an IP packet to 192.60.100.1, which of the following is FALSE?

- A. PE1 pushes an LDP transport label.
- B. CSC-CE1 pops the LDP label and pushes a BGP label.
- C. CSC-PE1 pops the BGP label and pushes two labels: a VPN label and an MPLS transport label.
- D. CSC-PE2 pops the MPLS label and pushes a BGP label.

Correct Answer: D

### QUESTION 5

Click the exhibit.



Routers RR1 and RR2 are configured as route reflectors. For the inter-AS model C VPRN, which of the following about the BGP sessions established between the routers is TRUE?

- A. ASBR2 has a total of three BGP sessions established: one with PE2, one with RR2, and one with ASBR1.
- B. RR1 has a total of three BGP sessions established: one with PE1, one with RR2, and one with ASBR1.
- C. PE2 has a total of two BGP sessions established: one with RR2 and one with ASBR2.
- D. PE1 has a total of two BGP sessions established: one with RR1 and one with PE2.

Correct Answer: B

[4A0-106 PDF Dumps](#)

[4A0-106 Study Guide](#)

[4A0-106 Brindumps](#)