



# 4A0-105<sup>Q&As</sup>

Alcatel-Lucent Virtual Private LAN Services

## Pass Alcatel-Lucent 4A0-105 Exam with 100% Guarantee

Free Download Real Questions & Answers **PDF** and **VCE** file from:

<https://www.pass4itsure.com/4a0-105.html>

100% Passing Guarantee  
100% Money Back Assurance

Following Questions and Answers are all new published by Alcatel-Lucent Official Exam Center

-  **Instant Download** After Purchase
-  **100% Money Back** Guarantee
-  **365 Days** Free Update
-  **800,000+** Satisfied Customers





**QUESTION 1**

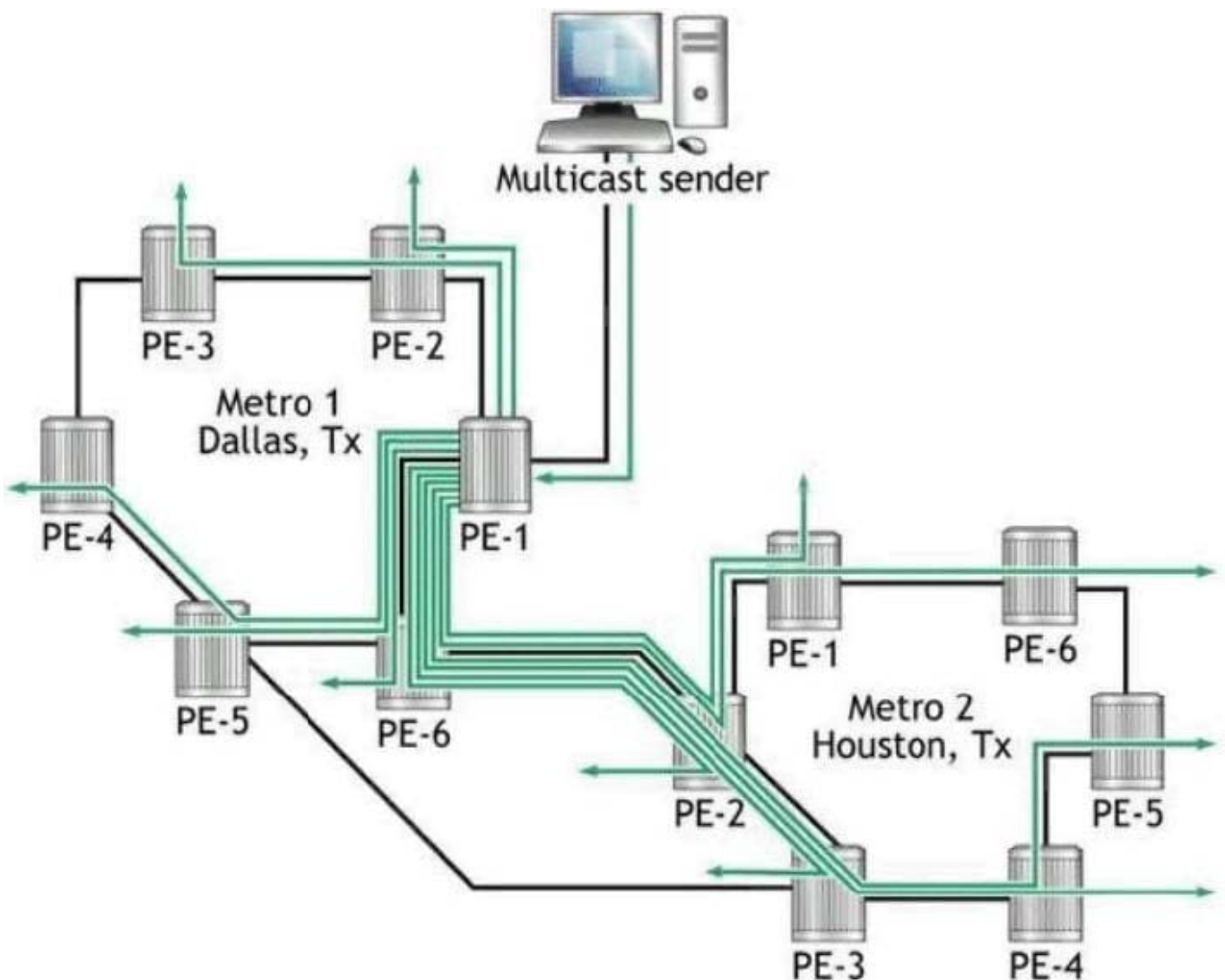
What type of SDP cannot be configured in an I-VPLS?

- A. Mesh-sdp
- B. Spoke-sdp
- C. MPLS
- D. GRE

Correct Answer: A

**QUESTION 2**

Click on the exhibit below.





Assume PE-1 has a mesh-sdp configured to every PE node in both Metro networks. What could be done to prevent the bandwidth replication between Metro 1 and Metro 2?

- A. PE-1 must be configured with mesh-SDPs to every node receiving the multicast traffic. There is no way to reduce the replication or bandwidth.
- B. PE nodes in Metro 1 could be configured with mesh-SDPs. PE nodes in Metro 2 would be configured with mesh-SDPs. However, the connection between Metro networks (PE-2 to PE-6) can be configured with a spoke-sdp. This would reduce the replication and bandwidth used on the link between Metro networks. This also reduces the replication required by PE-1.
- C. PE-1 can be configured with spoke-SDPs to every PE node in both Metro networks. This will reduce the bandwidth and replication within the network.
- D. PE nodes in Metro 1 could be configured with spoke-SDPs. PE nodes in Metro 2 would be configured with spoke-SDPs. However, the connection between Metro networks (PE-2 to PE-6) can be configured with a mesh-sdp. This would reduce the replication and bandwidth used on the link between Metro networks. This also reduces the replication required by PE-1.

Correct Answer: B

---

### QUESTION 3

How is it possible for multiple services to be carried over the same MPLS LSPs?

- A. Multiple SDPs must be configured and bound to the LSPs for this to be possible.
- B. It is not possible to carry multiple services over the same MPLS LSPs.
- C. A vc-label is signaled per service.
- D. The vc-id is part of the data plane and maps the traffic to the appropriate service.

Correct Answer: A

---

### QUESTION 4

Click on the exhibit below.



```
*A:PE1>config>service# info
```

```
-----  
vpls 1 customer 1 b-vpls create  
  service-mtu 9118  
  backbone-smac 00:00:00:00:00:07  
  stp  
    shutdown  
  exit  
  spoke-sdp 3:1 create  
  exit  
  no shutdown  
exit
```

Based on the service-mtu of this B-VPLS, what is the maximum service-mtu of any connecting I-VPLS attached to this B-VPLS?

- A. 9100 bytes
- B. 9104 bytes
- C. 9108 bytes
- D. 9118 bytes

Correct Answer: A

---

#### QUESTION 5

If the max remote-age timer of a B-VPLS is reached, what happens to the remotely learned MAC addresses in the I-VPLS service?

- A. There is no effect. The MAC addresses for the I-VPLS age out independently of the aging of B-VPLS addresses.
- B. The MAC addresses for the I-VPLS will age out immediately following the remote-age out of the backbone-macs of the B-VPLS.
- C. By default, the remote-age timer of the B-VPLS is configured to 0 and addresses do not age out. The I-VPLS uses its own timer.
- D. The same timer is used for B-VPLS and I-VPLS addresses on the node.

Correct Answer: B

[4A0-105 Study Guide](#)

[4A0-105 Exam Questions](#)

[4A0-105 Braindumps](#)