



4A0-103^{Q&As}

Alcatel-Lucent Multiprotocol Label Switching

Pass Alcatel-Lucent 4A0-103 Exam with 100% Guarantee

Free Download Real Questions & Answers **PDF** and **VCE** file from:

<https://www.pass4itsure.com/4a0-103.html>

100% Passing Guarantee
100% Money Back Assurance

Following Questions and Answers are all new published by Alcatel-Lucent Official Exam Center

-  **Instant Download** After Purchase
-  **100% Money Back** Guarantee
-  **365 Days** Free Update
-  **800,000+** Satisfied Customers



**QUESTION 1**

Click on the exhibit.

```
Actual Hops :
  10.1.3.1(10.10.10.1) @ n          Record Label   : N/A
-> 10.1.3.3(10.10.10.3) @ n          Record Label   : 131069
-> 10.3.4.4(10.10.10.4) @           Record Label   : 131069
-> 10.2.4.2(10.10.10.2)             Record Label   : 131067
-> 10.2.6.6(10.10.10.6)             Record Label   : 131071
ComputedHops:
  10.1.3.1(S)          -> 10.1.3.3(S)          -> 10.3.4.4(S)
-> 10.2.4.2(S)        -> 10.2.6.6(S)
```

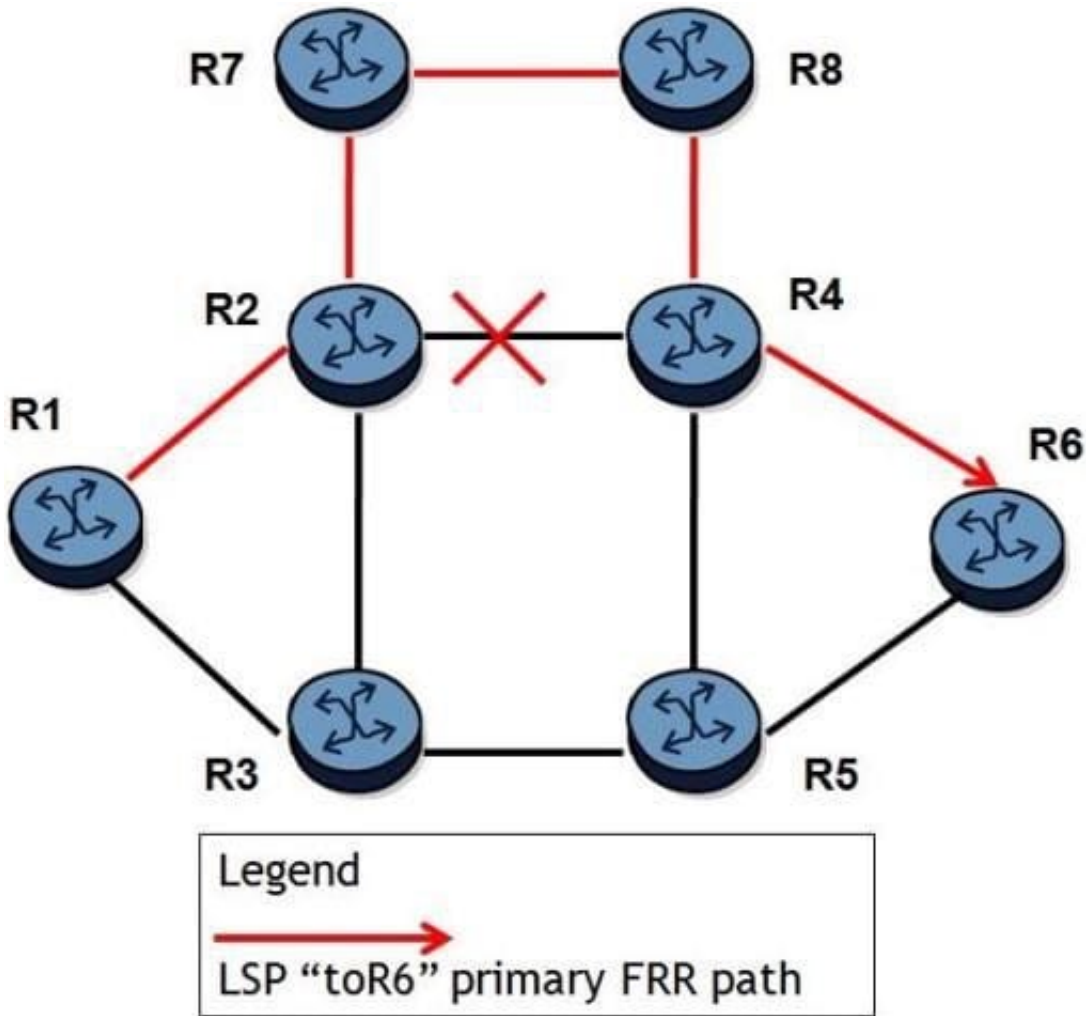
The partial command output from an Alcatel-Lucent 7750 SR is shown. Which of the following about this LSP path is TRUE?

- A. R4 (10.10.10.4) has established a link protection tunnel.
- B. R6 (10.10.10.6) has established a link protection tunnel.
- C. R2 (10.10.10.2) has established a node protection tunnel.
- D. R1 (10.10.10.1) has not established a node protection tunnel.

Correct Answer: A

QUESTION 2

Click on the exhibit.



A fully loose LSP "toR6" is enabled with FRR protection. All links have the same cost. After the link between R2 and R4 goes down, FRR protection repairs the LSP and traffic traverses on R1- R2-R7-R8R4-R6. Which of the following about this CSPF-enabled LSP on an Alcatel-Lucent 7750 SR is TRUE?

- A. The LSP will stay on the current path indefinitely unless another failure occurs.
- B. The LSP will stay on the current path until the resignal timer expires.
- C. The LSP will switchover to R1-R2-R3-R5-R6 after the resignal timer expires.
- D. The LSP will switchover to R1-R3-R5-R6 after the retry timer expires.

Correct Answer: D

QUESTION 3

Which of the following are the default settings for the Alcatel-Lucent 7750 SR when using LDP?

- A. Per-platform label space, conservative retention mode
- B. Per-interface label space, conservative retention mode



- C. Per-platform label space, liberal retention mode
- D. Per-interface label space, liberal retention mode

Correct Answer: C

QUESTION 4

Which of the following about an ERO in an RSVP PATH message is FALSE?

- A. ERO is used by downstream routers to determine the next-hop for the LSP.
- B. ERO contains label information used to signal an LSP path.
- C. ERO is not always present in the PATH message.
- D. Each downstream router updates information inside the ERO.

Correct Answer: B

QUESTION 5

During node protection signaling, the PLR knows the address of the MP from which of the following methods?

- A. The PLR issues a RSVP path message to the destination router to request the address of the MP.
- B. The PLR learns the address of the MP from the ERO.
- C. The PLR learns the address of the MP from the RRO
- D. The PLR learns the address of the MP from the targeted RSVP hello message.
- E. The PLR does not need to know the address of the MP.

Correct Answer: C

[4A0-103 Study Guide](#)

[4A0-103 Exam Questions](#)

[4A0-103 Braindumps](#)