



400-051^{Q&As}

CCIE Collaboration Written

Pass Cisco 400-051 Exam with 100% Guarantee

Free Download Real Questions & Answers **PDF** and **VCE** file from:

<https://www.pass4itsure.com/400-051.html>

100% Passing Guarantee
100% Money Back Assurance

Following Questions and Answers are all new published by Cisco
Official Exam Center

-  **Instant Download** After Purchase
-  **100% Money Back** Guarantee
-  **365 Days** Free Update
-  **800,000+** Satisfied Customers



**QUESTION 1**

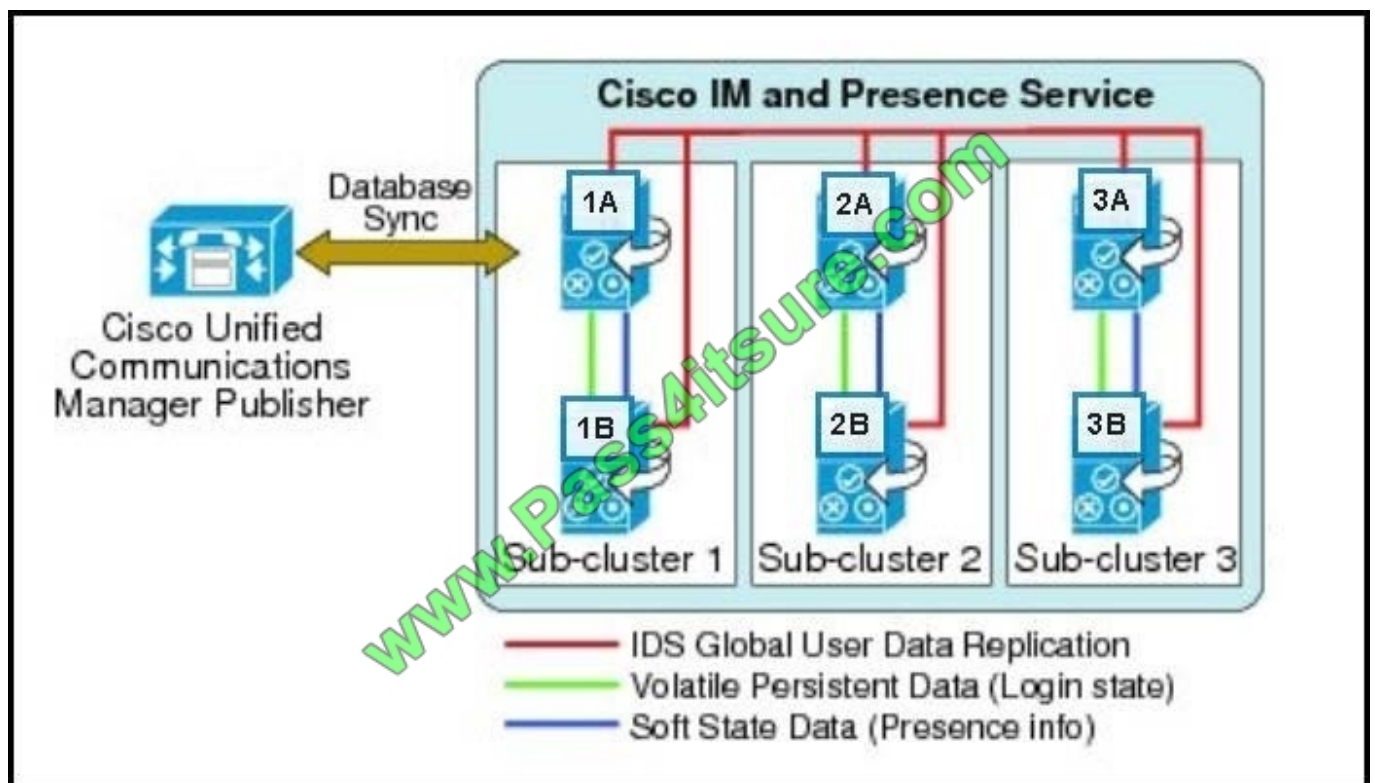
Which two rules apply to MMOH in SRST? (Choose two.)

- A. A maximum of three MOH groups are allowed.
- B. Cisco Unified SRST voice gateway allows you to associate phones with different MOH groups on the basis of their IP address to receive different MOH media streams.
- C. A maximum of five media streams are allowed.
- D. Cisco Unified SRST voice gateway allows you to associate phones with different MOH groups on the basis of their MAC address to receive different MOH media streams.
- E. Cisco Unified SRST voice gateway allows you to associate phones with different MOH groups on the basis of their extension numbers to receive different MOH media streams.

Correct Answer: CE

QUESTION 2

Refer to the exhibit.



In this high-availability Cisco IM and Presence deployment with three subclusters, the first user is assigned to server 1A; the second user is assigned to server 2A; and the third user is assigned to server 3A. Assume that the Cisco IM and Presence is set to Active/Standby mode, to which server should the fourth user be assigned?



- A. 1A
- B. 3B
- C. 1B
- D. 2A E. 3A

Correct Answer: A

This deployment model provides the same level of redundancy and high availability as outlined in the "Balanced Redundant High-Availability Deployment" section in this chapter. The only difference is that users are not deployed in a balanced fashion, but rather all reside on the primary server in the subcluster, and the backup server is there as a standby option if a node failure occurs.

QUESTION 3

Drag and drop the logical components of a traditional SDN infrastructure into the correct order.

Similar to open system interconnection model (OSI model), working your way up from the network infrastructure layer.

Select and Place:

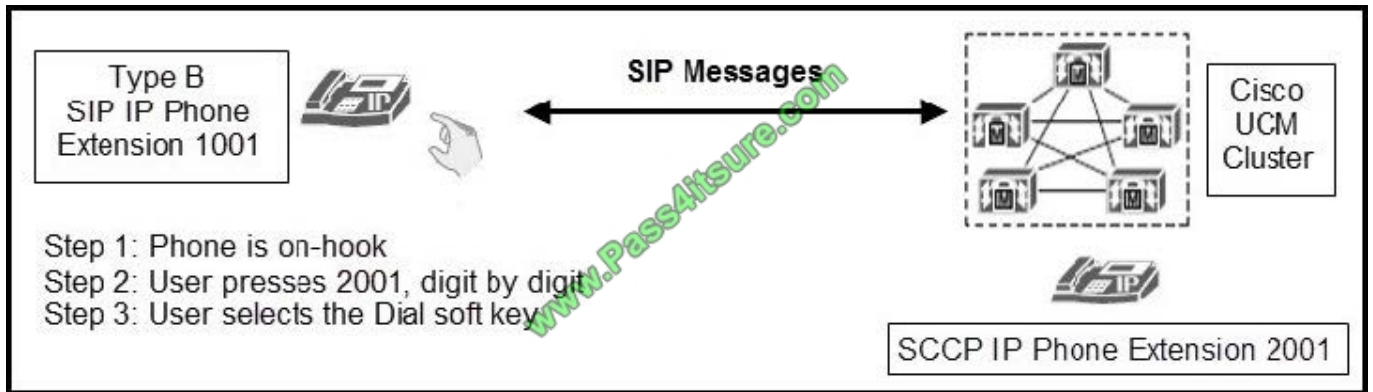
Southbound APIs	5
Northbound APIs	4
Applications	3
Controller Layer	2
Network infrastructure	1

Correct Answer:

	Applications
	Northbound APIs
	Controller Layer
	Southbound APIs
	Network infrastructure

QUESTION 4

Refer to the exhibit.



A user is going through a series of dialing steps on a SIP Type B IP phone to call a SCCP IP phone. Both phones are registered to the same Cisco Unified Communications Manager cluster. Assume that the calling SIP phone is associated with a SIP dial rule with a pattern value of "2001".

Which statement about how digits are forwarded to the Cisco Unified Communications Manager for further call processing is true?

- A. As each digit is pressed on the SIP IP phone, it is sent to the Cisco Unified Communications Manager in a SIP NOTIFY message as a KPML event.
- B. The SIP IP phone waits for the inter-digit timer expiry and then sends each digit to the Cisco Unified Communications Manager as a separate KPML event in a SIP NOTIFY message.
- C. As soon as the user selects the Dial soft key, the SIP IP phone forwards all digits to the Cisco Unified Communications Manager in a SIP INVITE message.
- D. As soon as the Dial soft key is selected, the SIP IP phone forwards the first digit in a SIP INVITE and the subsequent digits in SIP INFORMATION messages.
- E. The SIP IP phone waits for the inter-digit timer expiry, and then sends all digits to the Cisco Unified Communications Manager in a SIP INVITE message.

Correct Answer: C

References: <https://supportforums.cisco.com/document/87236/working-concept-sccp-sip-phones-and-dial-rules>.

QUESTION 5

A Cisco Unified Contact Center Express manager wants to add database integration to the self-service interactive voice response application. Which four types of licensing and database servers support this requirement? (Choose four.)

- A. The server must have enhanced licensing.
- B. The server must have premium licensing.
- C. A server running Sybase Adaptive Server is required.
- D. A server running Oracle is required.
- E. A server running Postgress SQL is required.



F. A server running SAP SQL server is required.

G. A server running Microsoft SQL server is required.

H. The server must have standard licensing.

Correct Answer: BCDG

[Latest 400-051 Dumps](#)

[400-051 VCE Dumps](#)

[400-051 Practice Test](#)



To Read the [Whole Q&As](#), please purchase the [Complete Version](#) from [Our website](#).

Try our product !

100% Guaranteed Success

100% Money Back Guarantee

365 Days Free Update

Instant Download After Purchase

24x7 Customer Support

Average 99.9% Success Rate

More than 800,000 Satisfied Customers Worldwide

Multi-Platform capabilities - [Windows](#), [Mac](#), [Android](#), [iPhone](#), [iPod](#), [iPad](#), [Kindle](#)

We provide exam PDF and VCE of Cisco, Microsoft, IBM, CompTIA, Oracle and other IT Certifications. You can view Vendor list of All Certification Exams offered:

<https://www.pass4itsure.com/allproducts>

Need Help

Please provide as much detail as possible so we can best assist you.

To update a previously submitted ticket:



 <p>One Year Free Update Free update is available within One Year after your purchase. After One Year, you will get 50% discounts for updating. And we are proud to boast a 24/7 efficient Customer Support system via Email.</p>	 <p>Money Back Guarantee To ensure that you are spending on quality products, we provide 100% money back guarantee for 30 days from the date of purchase.</p>	 <p>Security & Privacy We respect customer privacy. We use McAfee's security service to provide you with utmost security for your personal information & peace of mind.</p>
---	---	--

Any charges made through this site will appear as Global Simulators Limited.

All trademarks are the property of their respective owners.

Copyright © pass4itsure, All Rights Reserved.