



# 352-011<sup>Q&As</sup>

Cisco Certified Design Expert Practical

## Pass Cisco 352-011 Exam with 100% Guarantee

Free Download Real Questions & Answers **PDF** and **VCE** file from:

<https://www.pass4itsure.com/352-011.html>

100% Passing Guarantee  
100% Money Back Assurance

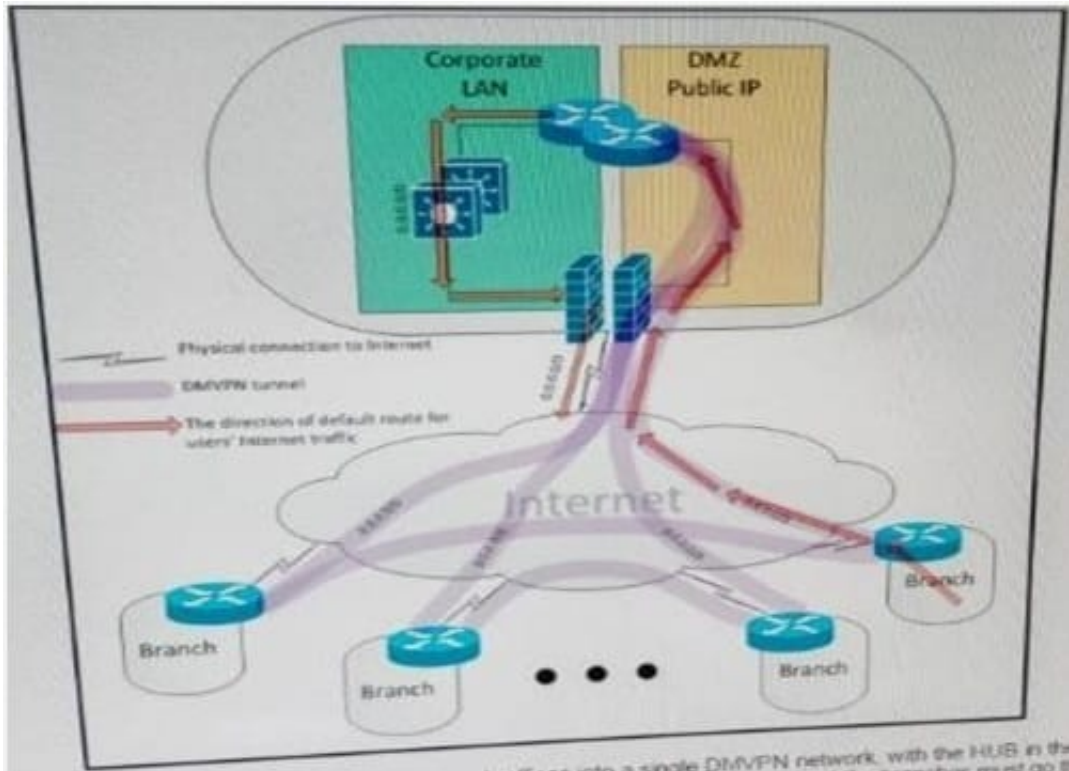
Following Questions and Answers are all new published by Cisco  
Official Exam Center

-  **Instant Download** After Purchase
-  **100% Money Back** Guarantee
-  **365 Days** Free Update
-  **800,000+** Satisfied Customers



**QUESTION 1**

Refer to the exhibit.



A customer interconnected hundreds of branch offices into a single DMVPN network, with the HUB in the main data center. Due to security policies, the customer requires that the default route for all Internet traffic from the users at the branches must go through the tunnel and the only connections that are allowed to and from the branch router over the local internet circuit are the DMVPN tunnels. Which two combined actions must you take on the branch router to address these security requirements and keep the solution scalable? (Choose two)

- A. Place the WAN interface in a front-door VRF, leaving the tunnel interface in the default routing instance
- B. Protect the WAN interface by an inbound ACL that permits only IPsec-related traffic
- C. Implement a zone-based firewall that allows only IPsec-related traffic from zone UNTRUSTED to zone TRUSTED
- D. Add a host route for the public IP address of each remote branch and HUB routers that points directly to the local ISP, and add a default route that points to the tunnel
- E. Use a floating default route with the preferred path over the tunnel and a backup path over the Internet natively

Correct Answer: AB

**QUESTION 2**

Refer to the exhibit.



Each branch network must connect to the HQ and other branch networks over the phase 2 DMVPN network using a single tunnel interface. OSPF is running over the DMVPN network. Which network type is compatible with the DMVPN tunnel and ensures that the next hop of any route is unchanged?

- A. Point-to-point
- B. Point-to-multipoint
- C. Broadcast
- D. Nonbroadcast

Correct Answer: C

### QUESTION 3

In an Ethernet link containing five routers with OSPF network interface type configured as broadcast, how many OSPF adjacencies are established on this Ethernet link?

- A. 7
- B. 5
- C. 10
- D. 20
- E. 6

Correct Answer: A

### QUESTION 4



A large enterprise network has a partial mesh network with multiples redundant links. OSPF is used as IGP and it is implemented in a single-area. The network has slow convergence times and there is a high CPU utilization on the routers. Which solution can address these issues while ensuring that the network scales?

- A. Break the routing domain into separate OSPF areas
- B. Make it a hub-and-spoke topology
- C. Replace OSPF with BGP
- D. Reduce the number of links between routers in the network
- E. Upgrade the routers with higher CPU and memory resources

Correct Answer: A

---

#### QUESTION 5

Which two application requirements are mandatory for traffic to receive proper treatment when placed in the priority queue? (Choose two)

- A. WRED drop treatment
- B. Small transactions (HTTP ?like behavior)
- C. Tolerance to packet loss
- D. Intolerance to jitter
- E. TCP based application

Correct Answer: CD

[Latest 352-011 Dumps](#)

[352-011 Practice Test](#)

[352-011 Study Guide](#)