



# 352-001<sup>Q&As</sup>

CCDE Written Exam

## Pass Cisco 352-001 Exam with 100% Guarantee

Free Download Real Questions & Answers **PDF** and **VCE** file from:

<https://www.pass4itsure.com/352-001.html>

100% Passing Guarantee  
100% Money Back Assurance

Following Questions and Answers are all new published by Cisco  
Official Exam Center

-  **Instant Download** After Purchase
-  **100% Money Back** Guarantee
-  **365 Days** Free Update
-  **800,000+** Satisfied Customers



**QUESTION 1**

Your firm has been awarded a contract to design a Criminal Justice Information Services Version 5.0-compliant network utilizing advanced authentication policies. Which two methods could be utilized? (Choose two.)

- A. biometric
- B. PKI
- C. UKI
- D. password

Correct Answer: AB

---

**QUESTION 2**

A customer uses OSPF and BGP in their network. Which solution will continue forwarding packets during a temporary failure of a P node?

- A. Deploy MPLS TE
- B. Enable BGP Flowspec
- C. Enable NSF/GR for OSPF
- D. Deploy IS-IS an IGP instead of OSPF

Correct Answer: A

---

**QUESTION 3**

In a VPLS design solution, which situation indicates that BGP must be used instead of LDP in the control plane?

- A. MAC address learning scales better through BGP
- B. BGP supports VPLS interworking
- C. Pseudowire configuration overhead is reduced
- D. There are no full-mesh pseudowire due to the route reflection feature of BGP

Correct Answer: A

---

**QUESTION 4**

You are the Cisco Network Designer in testking.com. In your company site, a NAS is both physically and logically in the traffic path. The NAS identifies clients solely based on their MAC addresses. In which access mode has this NAS been configured to operate?

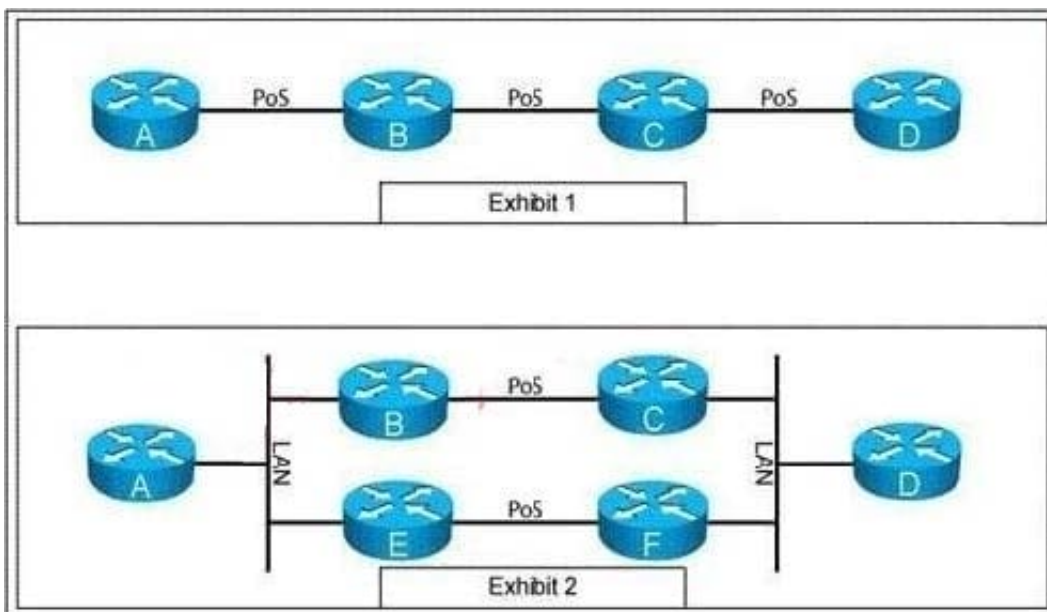


- A. Layer 2 mode
- B. Layer 3 mode
- C. Layer 3 In-Band mode
- D. Layer 2 Edge mode

Correct Answer: A

### QUESTION 5

Refer to the exhibits.



You have been asked to review a proposal for adding redundancy to the non-redundant network in Exhibit 1. Exhibit 2 shows the proposed redundant network. Which technology would provide faster convergence over the newly introduced layer 2 domains?

- A. Bi-directional Forwarding Detection
- B. Rapid Spanning Tree
- C. Unidirectional Link Detection
- D. Hot Standby Router Protocol

Correct Answer: A