



350-601^{Q&As}

Implementing and Operating Cisco Data Center Core Technologies
(DCCOR)

Pass Cisco 350-601 Exam with 100% Guarantee

Free Download Real Questions & Answers **PDF** and **VCE** file from:

<https://www.pass4itsure.com/350-601.html>

100% Passing Guarantee
100% Money Back Assurance

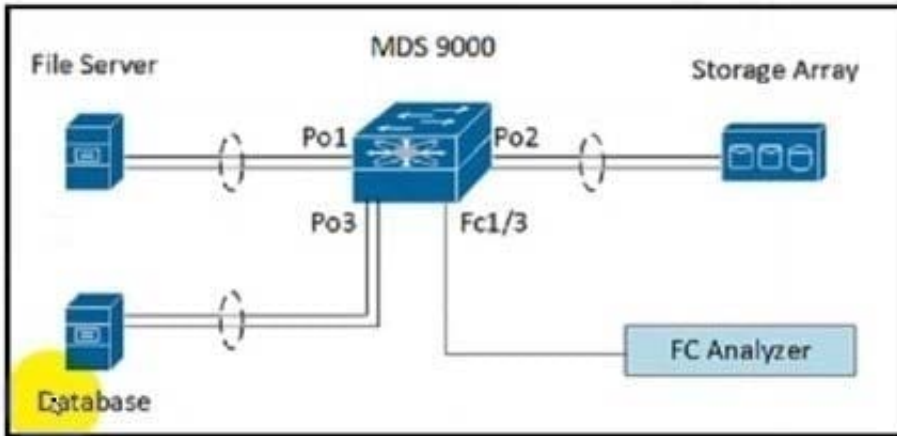
Following Questions and Answers are all new published by Cisco
Official Exam Center

-  **Instant Download** After Purchase
-  **100% Money Back** Guarantee
-  **365 Days** Free Update
-  **800,000+** Satisfied Customers



**QUESTION 1**

Refer to the exhibit.



```
interface port-channel 1
  channel mode active
interface port-channel 2
  channel mode active
interface fcl/1-2
  channel-group 1
  no shutdown
interface fcl/4-5
  channel-group 2
  no shutdown
interface fcl/7-8
  channel-group 3
  no shutdown
vsan database
  vsan 100 name fabric1
  vsan 100 interface port-channel 1
  vsan 100 interface port-channel 2
  vsan 100 interface port-channel 3
```

A storage engineer must monitor the traffic from the file server to the FC analyzer. The file server and the database use the same storage array. Which configuration must be applied to the Cisco MDS 9000 Series Switch to accomplish this goal?



```
MDS-9000(config)# span session 1
MDS-9000(config-span)# destination interface fc1/3
MDS-9000(config-span)# source interface port-channel 1

MDS-9000(config)# span session 1
MDS-9000(config-span)# destination interface port-channel 2
MDS-9000(config-span)# source interface vsan 100

MDS-9000(config)# span session 1
MDS-9000(config-span)# destination interface port-channel 2
MDS-9000(config-span)# source interface fc1/1

MDS-9000(config)# span session 1
MDS-9000(config-span)# destination interface vsan 100
MDS-9000(config-span)# source interface port-channel 1
```

A. Option A

B. Option B

C. Option C

D. Option D

Correct Answer: B

QUESTION 2

A company must security harden its Cisco UCS C-Series servers. The security policy requires all out-of- band management to meet these requirements

1.

It must encrypt all traffic

2.

It must use nondefault ports

3.

It must provide private administrative sessions

Which Cisco IMC corrfllguraton meets the requirements?

A. data1# scope sol data1 /sol # set enabled yes data1 /sol *# set encrypted tls1.2 data1 /sol *# set port 3389 data1 /sol *# set session max 2 data1 /sol *# set deny-local yes

B. data1# scope cimc data1 /cimc # set enabled yes data1 /cimc *# set encrypted tls data1 /cimc *# set kvm-port 1972 data1 /cimc *# set max-sessions 1 data1 /cimc *# set local-session deny

C. data1# scope oob data1 /oob # set enabled no data1 /oob *# set encrypted yes data1 /oob *# set kvm-port 2068 data1 /oob *# set max-sessions 1 data1 /oob *# set local-access no

D. data1# scope kvm data1 /kvm # set enabled yes data1 /kvm *# set encrypted yes data1 /kvm *# set kvm-port 3168 data1 /kvm *# set max-sessions 1 data1 /kvm *# set local-video no



Correct Answer: D

QUESTION 3

Refer to the exhibit.

```
switch# show install all impact epld n9000-epld.9.2.1.img
Compatibility check:
Module      Type      Upgradable      Impact      Reason
-----
1           SUP      YES             disruptive  Module Upgradable

Retrieving EPLD versions... Please wait.

Images will be upgraded according to following table:
Module      Type      EPLD             Running-Version      New-Version      Upg-Required
-----
1           SUP      MI FPGA          0x23                 0x23             No
1           SUP      IO FPGA          0x06                 0x06             No
1           SUP      MI FPGA2         0x23                 0x23             No
```

A network engineer plans to upgrade the current software images of a Cisco Nexus switch. What is the impact of starting the EPLD upgrade?

- A. The switch reboots multiple times for the new EPLD versions to take effect.
- B. The switch reboots one time for the new EPLD versions to take effect.
- C. The switch skips the EPLD upgrade for MIFPGA and proceeds with the other EPLD devices.
- D. The switch skips the EPLD upgrade for each EPLD device of the switch.

Correct Answer: D

https://www.cisco.com/c/en/us/td/docs/switches/datacenter/nexus9000/sw/92x/epld-rn/nxos_n9K_epldRN_924.html

QUESTION 4

Refer to the exhibit.

```
N5K-1 (config)#interface fc2/3
N5K-1 (config-if) #switchport mode sd
N5K-1 (config-if) # no shutdown
```



What is the result of implementing this configuration?

- A. The Fibre Channel interface is configured for synchronization distribution.
- B. The Fibre Channel interface is configured for SPAN.
- C. The Fibre Channel interface is configuration for source distribution.
- D. The Fibre Channel interface is configured for FSPF.

Correct Answer: B

https://www.cisco.com/c/en/us/td/docs/switches/datacenter/nexus5000/sw/san_switching/4_21_n1_1/b_Cisco_n5k_nxos_sanswitching_config_guide_rel421_n1_1/Cisco_n5k_nxos_sanswitching_config_guide_rel421_n1_1_chapter3.html

https://www.cisco.com/en/US/docs/switches/datacenter/nexus5000/sw/configuration/guide/cli_rel_4_1/Cisco_Nexus_5000_Series_Switch_CLI_Software_Configuration_Guide_chapter50.html

QUESTION 5

The Cisco Nexus switch Generic Online Diagnostics policy for a PortLoopback test requires 10 consecutive failures to error disable the port. The customer wants to change it to 5 consecutive failures.

Which configuration applies the changes for module 1 only?

- A. Nexus(config)# event manager applet custom-PortLoopback override __PortLoopback Nexus(config-applet)# event gold mod all test PortLoopback testing-type bootup consecutive-failure 5 Nexus(config-applet)# action 1 publish-event
- B. Nexus(config)# event manager applet custom-PortLoopback override __PortLoopback Nexus(config-applet)# event gold mod 1 test PortLoopback testing-type bootup consecutive-failure 5 Nexus(config-applet)# action 1 publish-event
- C. Nexus(config)# event manager applet custom-PortLoopback override __PortLoopback Nexus(config-applet)# event gold mod all test PortLoopback testing-type monitoring consecutive-failure 5 Nexus(config-applet)# action 1 policy-default
- D. Nexus(config)# event manager applet custom-PortLoopback override __PortLoopback Nexus(config-applet)# event gold mod 1 test PortLoopback testing-type monitoring consecutive-failure 5 Nexus(config-applet)# action 1 policy-default

Correct Answer: D

"mod all" is incorrect. "mod 1test" is incorrect. "publish event" is incorrect. "mod 1 test" is correct. It is with "policy-default".

Reference:

<https://www.ciscolive.com/c/dam/r/ciscolive/us/docs/2017/pdf/BRKDCN-3234.pdf>