



350-080^{Q&As}

CCIE Data Center Written

Pass Cisco 350-080 Exam with 100% Guarantee

Free Download Real Questions & Answers **PDF** and **VCE** file from:

<https://www.pass4itsure.com/350-080.html>

100% Passing Guarantee
100% Money Back Assurance

Following Questions and Answers are all new published by Cisco
Official Exam Center

-  **Instant Download** After Purchase
-  **100% Money Back** Guarantee
-  **365 Days** Free Update
-  **800,000+** Satisfied Customers





QUESTION 1

In a virtual port channel (vPC) configuration, VRRP exhibits which characteristic?

- A. VRRP does not work with vPC due to industry standard requirements
- B. VRRP works with vPC in traditional active/standby modes
- C. VRRP works with vPC in an active/active mode
- D. VRRP work with vPC as long as vPC peer-gateway is configured to address non- standard replies to the physical MAC address

Correct Answer: C

QUESTION 2

Cisco Nexus 5000 Series Switches are best positioned at which layer?

- A. access layer, as an end-of -row switch for FCIP and iSCSI aggregation
- B. distribution layer, with multiples of 10 Gb/s ports
- C. access layer, as a top-of - rack switch for server I/O consolidation with FCoE
- D. aggregation layer, supporting virtual security and application services

Correct Answer: C

QUESTION 3

Select and Place:

Drag the actions on the left and drop them on the right in the order which they should be performed during a step-by-step in-service software upgrade process	
Initiate a supervisor switchover (active-standby).	First
Bring up the standby supervisor with the new image.	Second
Perform hitless upgrades on line cards one at a time	Third
Upgrade the CMP BIOS and image.	Fourth
Bring up the originally active supervisor with the new image.	Fifth
Upgrade the BIOS on the active supervisor, standby supervisor, and line cards.	Sixth

Correct Answer:



Drag the actions on the left and drop them on the right in the order which they should be performed during a step-by-step in-service software upgrade process.	
	Upgrade the BIOS or the active supervisor, standby supervisor, and line cards.
	Bring up the standby supervisor with the new image.
	Initiate a supervisor switchover (active-standby)
	Bring up the originally active supervisor with the new image.
	Upgrade the CMP BIOS and image.
	Perform hitless upgrades on line cards one at a time.

QUESTION 4

Refer to me exhibit.



Which two statements are true? (Choose two.)

- A. VLAN segregation should be configured in Cisco UCS using VLAN Manager.
- B. VLAN segregation should be configured in Cisco UCS using PVLANS.
- C. when I hear segregation I think PVLANS
- D. The Fabric Feature cannot be used in this topology under any circumstances.
- E. Service profiles should contain a single vNIC per fabric, trunking VLAN 100-250.



F. Not sure about a single vNIC but the other option says two NICS and service profiles use vNICS. Also you can configure multiple vlans per vNIC and enable fabric failover for the redundancy.

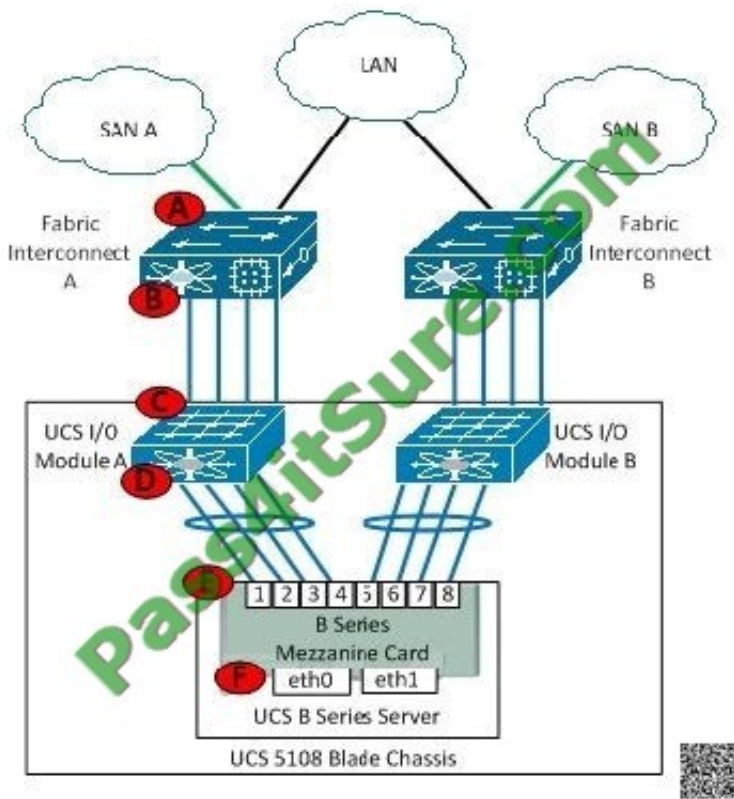
G. service profiles should contain two NICs per fabric, with one trunking VLAN 100-150 and another trunking VLAN 200-250.

H. VLAN segregation should be configured in Cisco UCS using pin groups.

Correct Answer: BD

QUESTION 5

Refer to the exhibit.



According to the equipment tab in Cisco UCS Manager, which is true?

- A. A is an uplink port, B is a fabric port, C is a server port, D is a backplane port, E is a DCE interface, and F is a vNIC
- B. A is an uplink port, B is a server port, C is a fabric port, D is a backplane port, E is a DCE interface, and F is a vNIC
- C. A is an uplink port, B is a fabric port, C is a backplane port, D is a server port, E is a DCE interface, and F is a vNIC
- D. A is an uplink port, B is a server port, C is a fabric port, D is a DCE interface, E is a backplane port, and F is a vNIC
- E. A is an fabric port, B is a downlink port, C is an uplink port, D is a server port, E is a VIC interface, and F is a vNIC

Correct Answer: B



VCE & PDF

Pass4itSure.com

<https://www.pass4itsure.com/350-080.html>

2022 Latest pass4itsure 350-080 PDF and VCE dumps Download

[350-080 VCE Dumps](#)

[350-080 Practice Test](#)

[350-080 Braindumps](#)



To Read the [Whole Q&As](#), please purchase the [Complete Version](#) from [Our website](#).

Try our product !

100% Guaranteed Success

100% Money Back Guarantee

365 Days Free Update

Instant Download After Purchase

24x7 Customer Support

Average 99.9% Success Rate

More than 800,000 Satisfied Customers Worldwide

Multi-Platform capabilities - [Windows](#), [Mac](#), [Android](#), [iPhone](#), [iPod](#), [iPad](#), [Kindle](#)

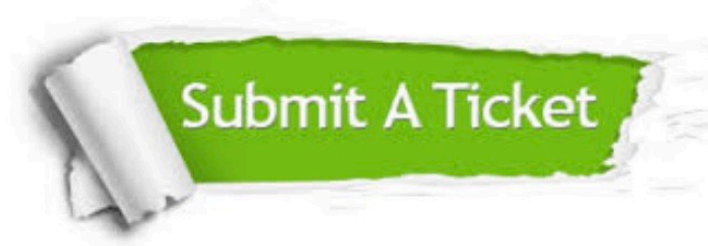
We provide exam PDF and VCE of Cisco, Microsoft, IBM, CompTIA, Oracle and other IT Certifications. You can view Vendor list of All Certification Exams offered:

<https://www.pass4itsure.com/allproducts>

Need Help

Please provide as much detail as possible so we can best assist you.

To update a previously submitted ticket:



 <p>One Year Free Update Free update is available within One Year after your purchase. After One Year, you will get 50% discounts for updating. And we are proud to boast a 24/7 efficient Customer Support system via Email.</p>	 <p>Money Back Guarantee To ensure that you are spending on quality products, we provide 100% money back guarantee for 30 days from the date of purchase.</p>	 <p>Security & Privacy We respect customer privacy. We use McAfee's security service to provide you with utmost security for your personal information & peace of mind.</p>
---	---	--

Any charges made through this site will appear as Global Simulators Limited.

All trademarks are the property of their respective owners.

Copyright © pass4itsure, All Rights Reserved.