



300-630^{Q&As}

Implementing Cisco Application Centric Infrastructure - Advanced
(DCACIA)

Pass Cisco 300-630 Exam with 100% Guarantee

Free Download Real Questions & Answers **PDF** and **VCE** file from:

<https://www.pass4itsure.com/300-630.html>

100% Passing Guarantee
100% Money Back Assurance

Following Questions and Answers are all new published by Cisco
Official Exam Center

- ⚙️ **Instant Download** After Purchase
- ⚙️ **100% Money Back** Guarantee
- ⚙️ **365 Days** Free Update
- ⚙️ **800,000+** Satisfied Customers



**QUESTION 1**

A network engineer configured an active-active firewall cluster that is stretched across separate pods in the Cisco ACI fabric. Which two implementation setups for anycast services are available? (Choose two.)

- A. Modify the Cisco ACI contract scope
- B. Modify the MAC address on the second firewall
- C. Configure the firewalls behind an EPG subnet
- D. Deselect No Default SVI Gateway under EPG Subnet
- E. Deploy a Layer 4 to Layer 7 service graph with PBR

Correct Answer: BC

QUESTION 2

What two actions should be taken to deploy a new Cisco ACI Multi-Pod setup? (Choose two.)

- A. Configure anycast RP for the underlying multicast protocol
- B. Configure the TEP pool of the new pod to be routable across the IPN
- C. Configure MP-BGP on IPN routers that face the Cisco ACI spines
- D. Increase interface MTU for all IPN routers to support VXLAN traffic
- E. Connect all spines to the IPN

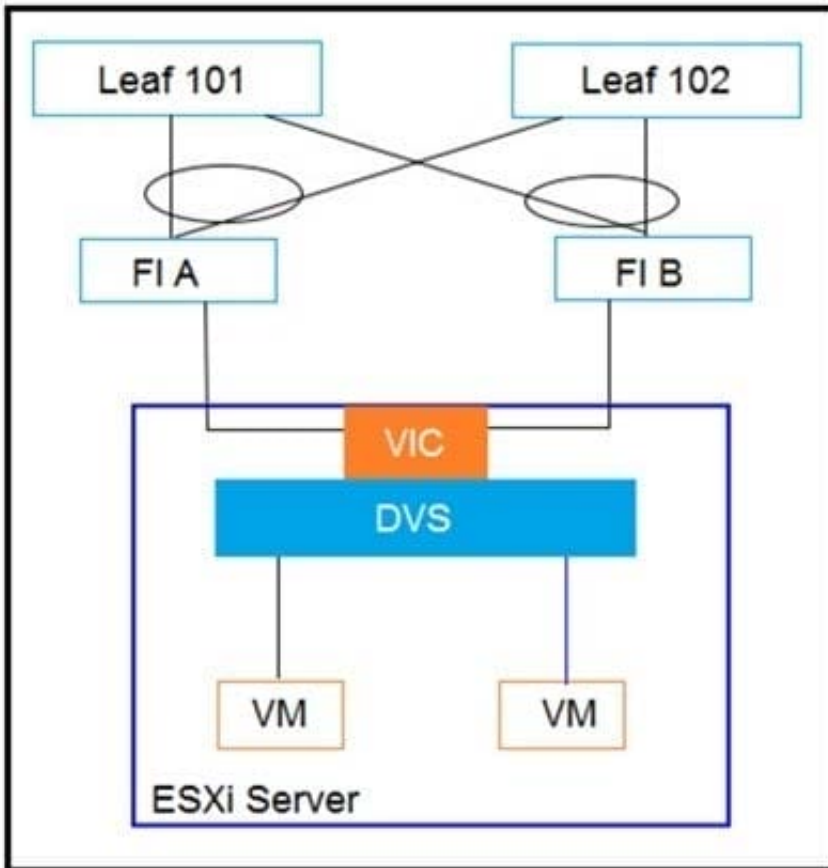
Correct Answer: DE

QUESTION 3

What is the advantage of implementing an active-active firewall cluster that is stretched across separate pods when anycast services are configured?

- A. A different MAC/IP combination can be configured for the firewall in each pod.
- B. The local pod anycast node is preferred by the local spines.
- C. A cluster can be deployed in transparent mode across pods.
- D. Local traffic in a pod is load-balanced between the clustered firewalls.

Correct Answer: A

**QUESTION 4**

Refer to the exhibit. Between Cisco UCS FIs and Cisco ACI leaf switches, CDP is disabled, the LLDP is enabled, and LACP is in Active mode. Which two discovery protocols and load-balancing mechanism combinations can be implemented for the DVS? (Choose two.)

- A. CDP enabled, LLDP disabled, and LACP Active
- B. CDP disabled, LLDP enabled, and MAC Pinning
- C. CDP enabled, LLDP disabled, and MAC Pinning
- D. CDP enabled, LLDP enabled, and LACP Active
- E. CDP enabled, LLDP disabled, and LACP Passive
- F. CDP disabled, LLDP enabled, and LACP Passive

Correct Answer: BE

QUESTION 5

How is broadcast forwarded in Cisco ACI Multi-Pod after ARP flooding is enabled?

- A. For the specific bridge domain, all spines forward the broadcast frames to IPN routers



B. Broadcast frames are forwarded inside the pod and across the IPN using the multicast address that is associated to the bridge domain

C. Within a pod, the ingress leaf switch floods the broadcast frame on all fabric ports

D. Ingress replication is used on the spines to forward broadcast frames in the IPN infrastructure

Correct Answer: A

[300-630 PDF Dumps](#)

[300-630 VCE Dumps](#)

[300-630 Practice Test](#)