



# 300-630<sup>Q&As</sup>

Implementing Cisco Application Centric Infrastructure - Advanced  
(DCACIA)

## Pass Cisco 300-630 Exam with 100% Guarantee

Free Download Real Questions & Answers **PDF** and **VCE** file from:

<https://www.pass4itsure.com/300-630.html>

100% Passing Guarantee  
100% Money Back Assurance

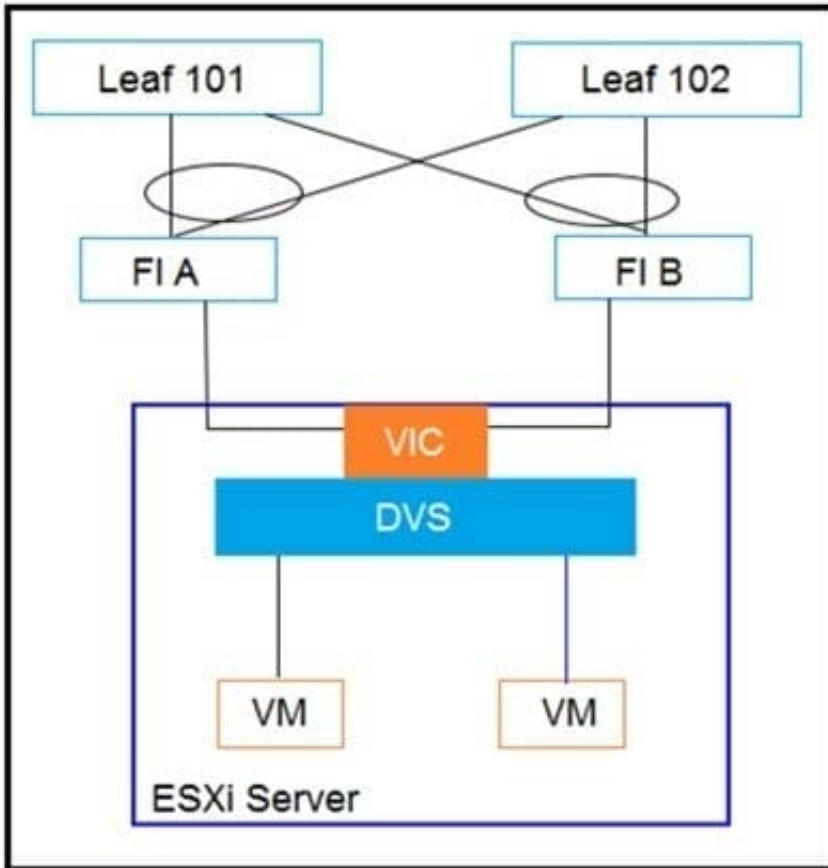
Following Questions and Answers are all new published by Cisco  
Official Exam Center

- ⚙️ **Instant Download** After Purchase
- ⚙️ **100% Money Back** Guarantee
- ⚙️ **365 Days** Free Update
- ⚙️ **800,000+** Satisfied Customers





## QUESTION 1



Refer to the exhibit. Between Cisco UCS FIs and Cisco ACI leaf switches, CDP is disabled, the LLDP is enabled, and LACP is in Active mode. Which two discovery protocols and load-balancing mechanism combinations can be implemented for the DVS? (Choose two.)

- A. CDP enabled, LLDP disabled, and LACP Active
- B. CDP disabled, LLDP enabled, and MAC Pinning
- C. CDP enabled, LLDP disabled, and MAC Pinning
- D. CDP enabled, LLDP enabled, and LACP Active
- E. CDP enabled, LLDP disabled, and LACP Passive
- F. CDP disabled, LLDP enabled, and LACP Passive

Correct Answer: BE

## QUESTION 2



## Create L4-L7 Devices

STEP 1 > Cluster

1. Cluster 2. Devices 3. Parameters

Name:

Device Package:

Context Aware:  Multiple  Single

Function Type:  GoThrough  GoTo  L1  L2

Device Type:  CLOUD  PHYSICAL  VIRTUAL

Cluster Management Interface

EPG:

Virtual IP Address:

Port:

Username:

Password:

Confirm Password:

Refer to the exhibit. A network engineer configures a Layer 4 to Layer 7 device for an outside routed firewall that is connected to POD-1 inside a Cisco ACI fabric that consists of two pods. All traffic from POD-1 or POD-2 that uses the L3Out should pass through the routed firewall. Which Function Type must be implemented in the service graph for POD-2 to use L3Out?

- A. GoThrough
- B. L1
- C. GoTo
- D. L2

Correct Answer: D

### QUESTION 3

Which feature should be disabled on a bridge domain when a default gateway for endpoints is on an external device instead of a Cisco ACI bridge domain SVI?

- A. unicast routing
- B. ARP flooding



C. unknown unicast flooding

D. proxy ARP

Correct Answer: C

---

#### QUESTION 4

An engineer configures a new Cisco ACI Multi-Pod setup. Which action should be taken for fabric discovery to be successful for the nodes in Pod 2?

A. Select the Route Reflector field in Pod Peering

B. Enable the DSCP class-cos translation policy for Layer 3 traffic

C. Configure POD 2 Data Plane TEP under the Pod Connection Profile

D. Add the IPN subnet under the Fabric External Routing Profile

Correct Answer: D

---

#### QUESTION 5

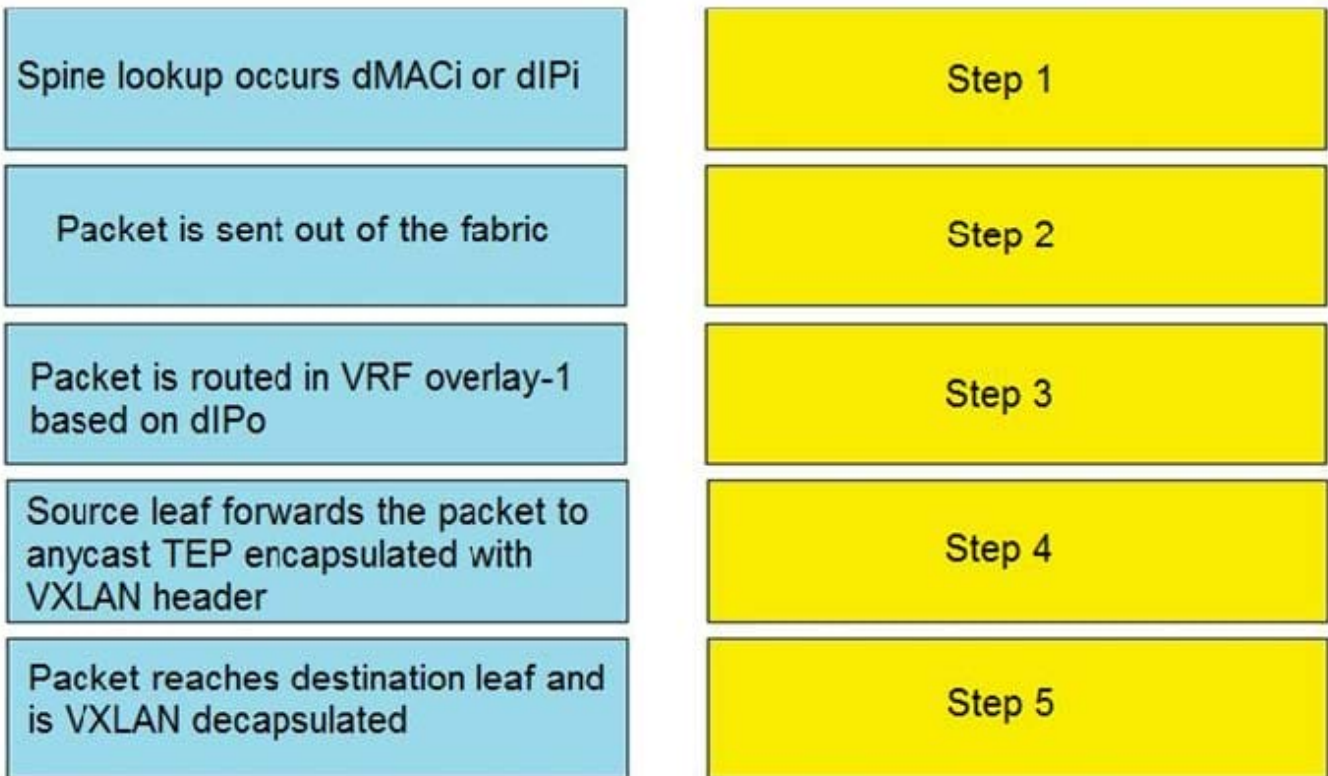
DRAG DROP

A leaf receives unicast traffic that is destined to an unknown source, and spine proxy is enabled in the corresponding bridge domain. Drag and drop the Cisco ACI forwarding operations from the left into the order the operation occurs on the right.

Select and Place:



### Answer Area



Correct Answer:



### Answer Area


Source leaf forwards the packet to anycast TEP encapsulated with VXLAN header

Spine lookup occurs dMACi or dIPi

Packet is sent out of the fabric

Packet reaches destination leaf and is VXLAN decapsulated

Packet is routed in VRF overlay-1 based on dIPo