



300-620^{Q&As}

Implementing Cisco Application Centric Infrastructure (DCACI)

Pass Cisco 300-620 Exam with 100% Guarantee

Free Download Real Questions & Answers **PDF** and **VCE** file from:

<https://www.pass4itsure.com/300-620.html>

100% Passing Guarantee
100% Money Back Assurance

Following Questions and Answers are all new published by Cisco
Official Exam Center

-  **Instant Download** After Purchase
-  **100% Money Back** Guarantee
-  **365 Days** Free Update
-  **800,000+** Satisfied Customers



**QUESTION 1**

For which type of endpoint entry does a Cisco ACI leaf switch keep the original TEP source address instead of rewriting the outer source IP address to its TEP address?

- A. local entry
- B. remote entry
- C. bounce entry
- D. COOP entry

Correct Answer: C

There are several scenarios in which an endpoint moves between two Cisco ACI leaf switches, such as a failover event or a virtual machine migration in a hypervisor environment. Cisco ACI data-plane endpoint learning detects these events quickly and updates the Cisco ACI endpoint database on a new leaf. In addition to data-plane learning, Cisco ACI uses bounce entries to manage the old endpoint information on the original leaf.

The difference between a bounce entry and a remote endpoint is in whether or not the leaf rewrites the outer source IP address of the packet. When a packet uses a normal remote endpoint, the Cisco ACI leaf uses its own TEP address as the outer source IP address, so the remote leaf learns this packet with its own TEP. When a packet uses a bounce entry, the Cisco ACI leaf doesn't rewrite the outer source IP address, so the remote data-plane learning will behave as if the packet came from the originating leaf rather than the intermediate "bounce" leaf.

QUESTION 2

A network engineer must backup the PRODUCTION tenant. The configuration backup should be stored on the APIC using a markup language and contain all secure information. Which export policy must be used to meet these requirements?



A.

Name:

Description:

Format:

Start Now:

Target DN:

Snapshot:

Scheduler:

Export Destination:

Modify Global AES Encryption Settings: **Enabled**

B.

Name:

Description:

Format:

Start Now:

Target DN:

Snapshot:

Scheduler:

Export Destination:

Modify Global AES Encryption Settings: **Enabled**

C.

Name:

Description:

Format:

Start Now:

Target DN:

Snapshot:

Scheduler:

Modify Global AES Encryption Settings: **Enabled**

D.

Name:

Description:

Format:

Start Now:

Target DN:

Snapshot:

Scheduler:

Modify Global AES Encryption Settings: **Enabled**



- A. Option A
- B. Option B
- C. Option C
- D. Option D

Correct Answer: D

Snapshots created for a single tenant do not include configurations from anywhere else in the fabric

QUESTION 3

What does a bridge domain represent?

- A. Layer 3 cloud
- B. Layer 2 forwarding construct
- C. tenant
- D. physical domain

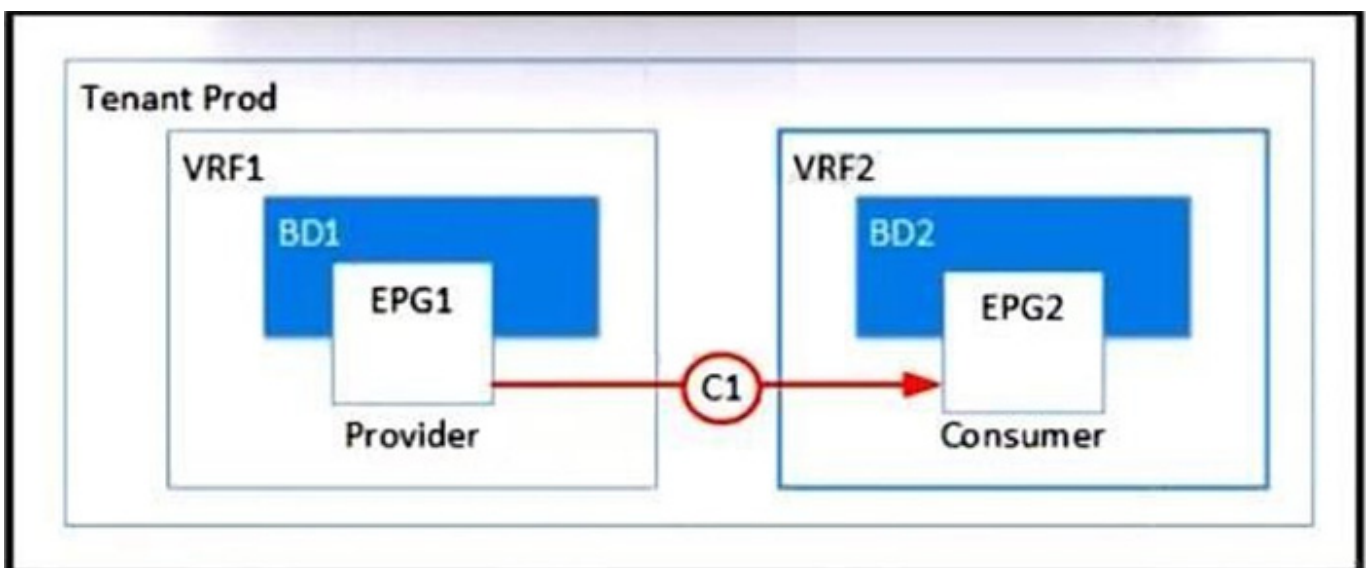
Correct Answer: B

Reference:

https://www.cisco.com/c/en/us/td/docs/switches/datacenter/aci/apic/sw/2-x/L2_config/b_Cisco_APIC_Layer_2_Configuration_Guide/b_Cisco_APIC_Layer_2_Configuration_Guide_chapter_010.html

QUESTION 4

Refer to the exhibit.





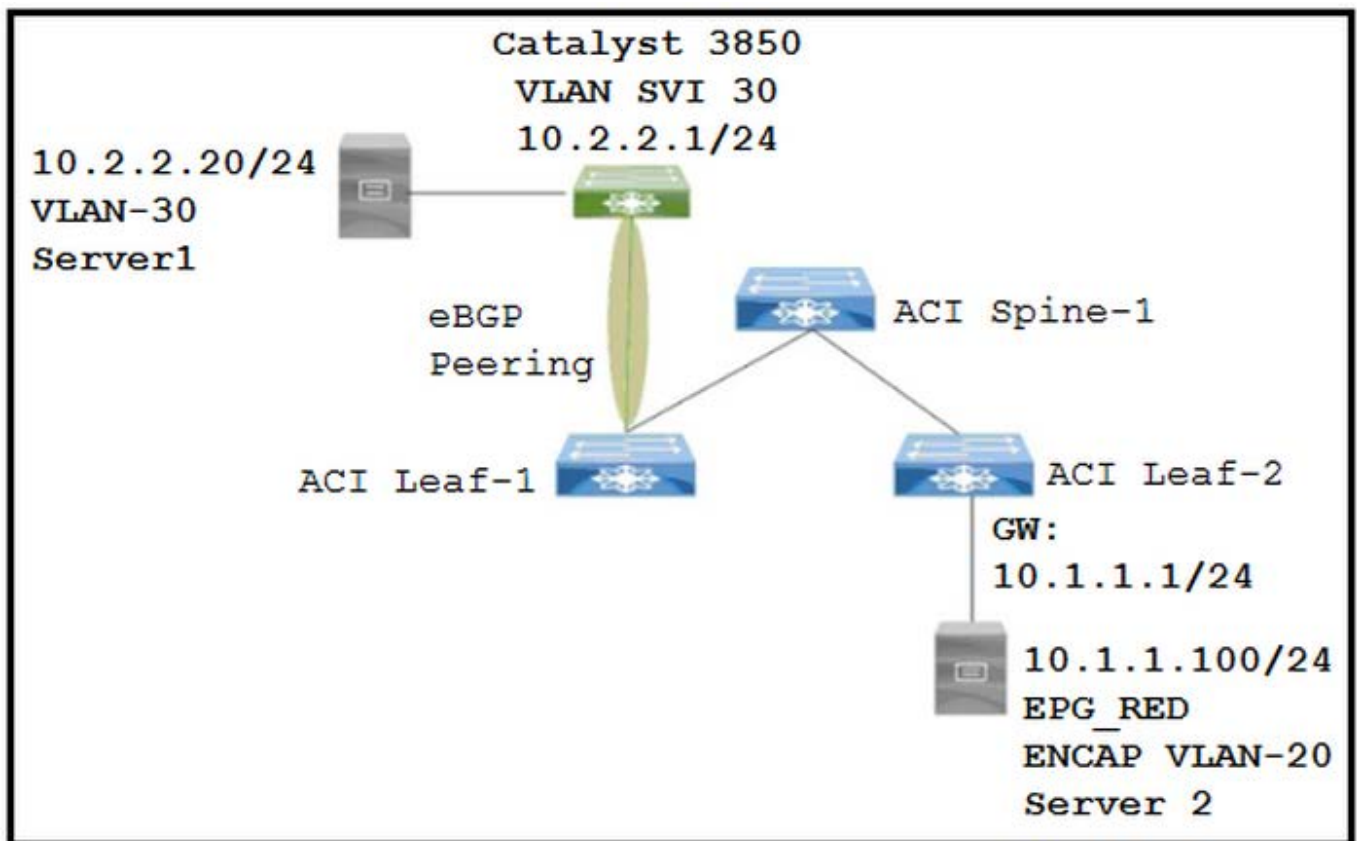
Which two configurations enable inter-VRF communication? (Choose two.)

- A. Set the subnet scope to Shared Between VRFs.
- B. Enable Advertise Externally under the subnet scope.
- C. Export the contract and import as a contract interface.
- D. Change the contract scope to Tenant.
- E. Change the subject scope to VRF.

Correct Answer: AD

QUESTION 5

Refer to the exhibit.



Cisco ACI fabric is connected to a Cisco Catalyst 3850 Series Switch using EBGP. Server 2 is unable to communicate with Server 1. Leaf-2 fails to learn the external subnet 10.2.2.0/24 and other external subnets from other L3Outs. Which configuration ensures that the networks from Leaf-2 are learned by the external network?

- A. Configure 10.2.2.0/24 under the external EPG of the L3Out.
- B. Implement a contract between the Server 2 EPG and the L3Out.



C. Implement the bridge domain to advertise the bridge domain subnet.

D. Configure Spine-1 as the MP-BGP route reflector.

Correct Answer: D

[300-620 Practice Test](#)

[300-620 Study Guide](#)

[300-620 Braindumps](#)