



300-175^{Q&As}

Cisco Data Center Unified Computing

Pass Cisco 300-175 Exam with 100% Guarantee

Free Download Real Questions & Answers **PDF** and **VCE** file from:

<https://www.pass4itsure.com/300-175.html>

100% Passing Guarantee
100% Money Back Assurance

Following Questions and Answers are all new published by Cisco
Official Exam Center

-  **Instant Download** After Purchase
-  **100% Money Back** Guarantee
-  **365 Days** Free Update
-  **800,000+** Satisfied Customers





QUESTION 1

Scenario

In this scenario, you will refer to screenshots about Cisco UCS B-Series servers and UCS Manager.

Instructions

To access the multiple-choice questions, click on the numbered boxes on the left of the top panel. There are four multiple-choice questions with this task. Be sure to answer all four questions before selecting the Next button.



DCUCI 5.0 Lab Topology—Backbone

Legend:

- Fibre Channel
- 10 GE with FCoE
- - - 10 GE
- 1 GE
- GE = Gigabit Ethernet

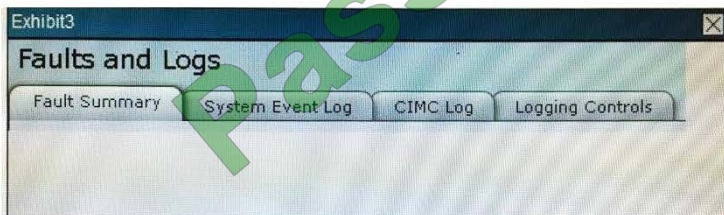
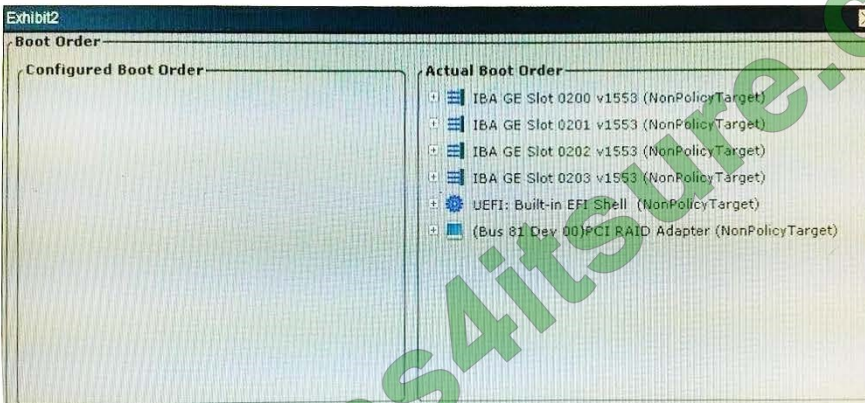
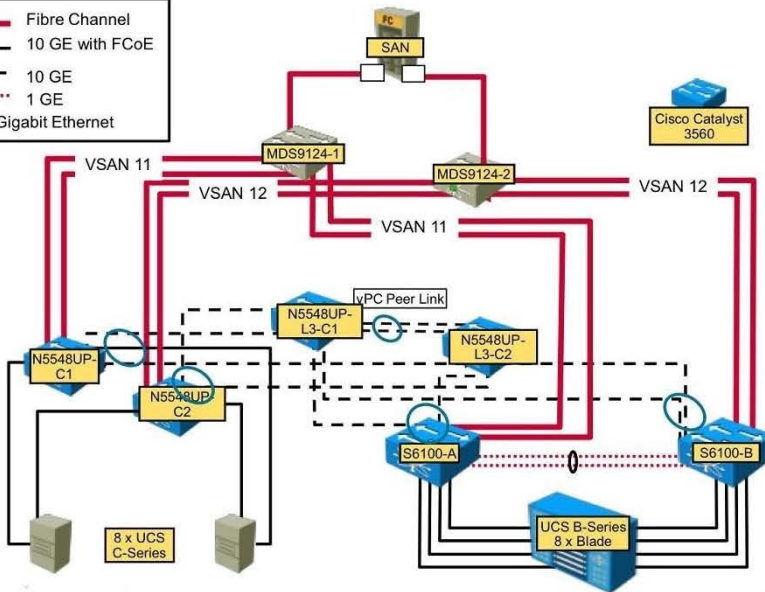




Exhibit4

Trap Details

Trap Settings

ID: 1

Enabled:

SNMP Version: V3

Trap Type: Trap Inform

User: None

Destination IP: 0.0.0.0

OK Reset Values Close

Exhibit5

User Details

User Properties

ID: 2

Enabled:

Username: _____

Role: read-only

Change Password:

New Password: _____

Confirm New Password: _____

Save Changes Reset Values Cancel



Refer to the screenshot in Exhibit 5. Which of the following user roles allows the permission Clear All Logs?

- A. read-only
- B. user
- C. operator
- D. system

Correct Answer: C

http://www.cisco.com/c/en/us/td/docs/unified_computing/ucs/sw/gui/config/guide/2-0/b_UCSM_GUI_Configuration_Guide_2_0/b_UCSM_GUI_Configuration_Guide_2_0_chapter_01001.html

QUESTION 2

Which two statements are true concerning authorization when using RBAC in a Cisco Unified Computing System? (Choose two.)

- A. A locale without any organizations, allows unrestricted access to system resources in all organizations.
- B. When a user has both local and remote accounts, the roles defined in the remote user account override those in the local user account.
- C. A role contains a set of privileges which define the operations that a user is allowed to take.
- D. Customized roles can be configured on and downloaded from remote AAA servers.
- E. The logical resources, pools and policies, are grouped into roles.

Correct Answer: AC

https://www.cisco.com/c/en/us/td/docs/unified_computing/ucs/sw/gui/config/guide/1-4/UCSM_GUI_Configuration_Guide_1_4_chapter9.html

User roles contain one or more privileges that define the operations allowed for the user who is assigned the role.

One exception to this rule is a locale without any organizations, which gives unrestricted access to system resources in all organizations.

QUESTION 3

Refer to the exhibit. Which description of the configuration is true?



```
CISCO# scope org /
CISCO /org* # create service-profile ServTemp2 updating-template
CISCO /org/service-profile* # set bios-policy bios_1
CISCO /org/service-profile* # set boot-policy boot_1
CISCO /org/service-profile* # set dynamic-vnic-conn-policy d_vic_1
CISCO /org/service-profile* # set ext-mgmt-ip-state pooled
CISCO /org/service-profile* # set host-fw-policy fw_1
CISCO /org/service-profile* # set identity dynamic-uuid derived
CISCO /org/service-profile* # set ipmi-access-profile ipmi_1
CISCO /org/service-profile* # set local-disk-policy l_disk_1
CISCO /org/service-profile* # set maint-policy maint_1
CISCO /org/service-profile* # set mgmt-fw-policy fw_mgmt_1
CISCO /org/service-profile* # set power-control-policy Power_1
CISCO /org/service-profile* # set scrub-policy scrub_1
CISCO /org/service-profile* # set sol-policy sol_1
CISCO /org/service-profile* # set stats-policy stats_1
CISCO /org/service-profile* # vcon-policy vcon_1
CISCO /org/service-profile* # commit-buffer
CISCO /org/service-profile #
```

- A. Changes made to the MAC Address pool assigned to the template change the MAC addresses assigned to the service profiles created by using the template.
- B. Each service profile created by using the template must be modified individually
- C. Changes made to the template propagate automatically to the service profiles created by using the template
- D. Changes made to the UUID suffix pool assigned to the template change the UUID assigned to the service profiles created by using the template

Correct Answer: C

Reference: https://www.cisco.com/en/US/docs/unified_computing/ucs/sw/gui/config/guide/141/UCSM_GUI_Configuration_Guide_141_chapter28.html

QUESTION 4

How do you install a TPM and enable Intel Trusted Execution Technology on a Cisco UCS M2814 Compute Cartridge?

- A. A TPM module is installed by default. You must enable Intel Trusted Execution Technology support in Cisco UCS Manager.
- B. Decommission and power off the cartridge. Install a TPM module. TPM support and Intel Trusted Execution Technology are enabled by default.
- C. Decommission and power off the cartridge. Install a TPM module. TPM support is enabled by default. You must enable Intel Trusted Execution Technology support in the BIOS.
- D. A TPM module is installed by default. You must enable Intel Trusted Execution Technology support in the BIOS.

Correct Answer: D



Reference: https://www.cisco.com/c/en/us/td/docs/unified_computing/ucs/sw/cli/config/guide/2-5/b_UCSM_CLI_Quick_Reference_Guide_2_5/b_UCSM_CLI_Quick_Reference_Guide_2_5_chapter_0110.pdf

QUESTION 5

Drag Drop

This questions concern the replacement of copper twinax SFP+ transceiver with an optical SFP+ transceiver on a Cisco Unified Computing System blade server.

Drag the options on the left to the right side in the correct order when performing the replacement. Note: Not all of the options on the left will be used.

Select and Place:

This question concerns the replacement of a copper twinax SFP+ transceiver with an optical SFP+ transceiver on a Ciscoc Unified Computing System blade sever.
Drag the options on the left to the right side in the correct order when performing the replacement. Note: Not all of the options on the left will be used.

Insert the optical SFP+ transceiver into the I/O module port	
Remove the Cisco Unified Computing System 21xx I/O module from the chassis	
Remove the SFP+ cable, leaving the I/O module port empty	
Pull gently on the rubber loop of the copper twinax SFP+ from the I/O module port	
Plug the fiber-optic cable into the optical SFP+ transceiver	

Correct Answer:

This question concerns the replacement of a copper twinax SFP+ transceiver with an optical SFP+ transceiver on a Ciscoc Unified Computing System blade sever.
Drag the options on the left to the right side in the correct order when performing the replacement. Note: Not all of the options on the left will be used.

	Pull gently on the rubber loop of the copper twinax SFP+ from the I/O module port
Remove the Cisco Unified Computing System 21xx I/O module from the chassis	Insert the optical SFP+ transceiver into the I/O module port
Remove the SFP+ cable, leaving the I/O module port empty	Plug the fiber-optic cable into the optical SFP+ transceiver



VCE & PDF

Pass4itSure.com

<https://www.pass4itsure.com/300-175.html>

2022 Latest pass4itsure 300-175 PDF and VCE dumps Download

[Latest 300-175 Dumps](#)

[300-175 Exam Questions](#)

[300-175 Braindumps](#)



To Read the [Whole Q&As](#), please purchase the [Complete Version](#) from [Our website](#).

Try our product !

100% Guaranteed Success

100% Money Back Guarantee

365 Days Free Update

Instant Download After Purchase

24x7 Customer Support

Average 99.9% Success Rate

More than 800,000 Satisfied Customers Worldwide

Multi-Platform capabilities - [Windows](#), [Mac](#), [Android](#), [iPhone](#), [iPod](#), [iPad](#), [Kindle](#)

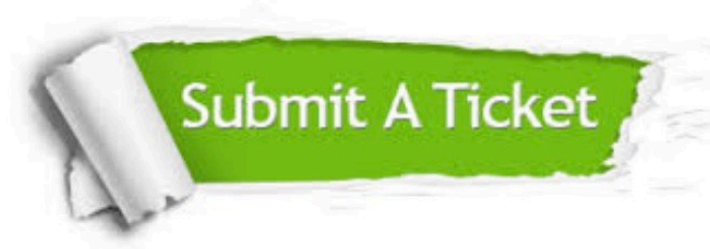
We provide exam PDF and VCE of Cisco, Microsoft, IBM, CompTIA, Oracle and other IT Certifications. You can view Vendor list of All Certification Exams offered:

<https://www.pass4itsure.com/allproducts>

Need Help

Please provide as much detail as possible so we can best assist you.

To update a previously submitted ticket:



 <p>One Year Free Update Free update is available within One Year after your purchase. After One Year, you will get 50% discounts for updating. And we are proud to boast a 24/7 efficient Customer Support system via Email.</p>	 <p>Money Back Guarantee To ensure that you are spending on quality products, we provide 100% money back guarantee for 30 days from the date of purchase.</p>	 <p>Security & Privacy We respect customer privacy. We use McAfee's security service to provide you with utmost security for your personal information & peace of mind.</p>
---	---	--

Any charges made through this site will appear as Global Simulators Limited.

All trademarks are the property of their respective owners.

Copyright © pass4itsure, All Rights Reserved.