



300-160^{Q&As}

Designing Cisco Data Center Computing

Pass Cisco 300-160 Exam with 100% Guarantee

Free Download Real Questions & Answers **PDF** and **VCE** file from:

<https://www.pass4itsure.com/300-160.html>

100% Passing Guarantee
100% Money Back Assurance

Following Questions and Answers are all new published by Cisco
Official Exam Center

-  **Instant Download** After Purchase
-  **100% Money Back** Guarantee
-  **365 Days** Free Update
-  **800,000+** Satisfied Customers





QUESTION 1

Which tool is a part of the Cisco ACE product family and is a critical component for cloud computing architectures?

- A. Cisco ANM
- B. Flexible NetFlow
- C. Cisco Prime LMS
- D. Cisco Prime DCNM for LAN

Correct Answer: A

QUESTION 2

Which Cisco product meets the LAN extension cryptography requirement in OTV over Dark Fiber scenario?

- A. IronPort
- B. Cisco TrustSec
- C. VSG
- D. Zone-Based Firewall

Correct Answer: C

QUESTION 3



Instructions

- THIS TASK DOES NOT REQUIRE DEVICE CONFIGURATION.
- To access the multiple-choice questions, click on the numbered boxes on the left of the top panel.
- There are two multiple-choice questions with this task. Be sure to answer all four questions before selecting the Next button.

Scenario

Based on your knowledge of Cisco port channeling technologies, use the topology to answer questions about the features of Cisco VSS and vPC.

Exhibit1

The diagram illustrates two network configurations. On the left, labeled 'VSS', two Nexus 7000 devices are connected to each other and to a single downstream switch. On the right, labeled 'vPC', two Nexus 7000 devices are connected to each other and to two separate downstream switches, forming a mesh topology.

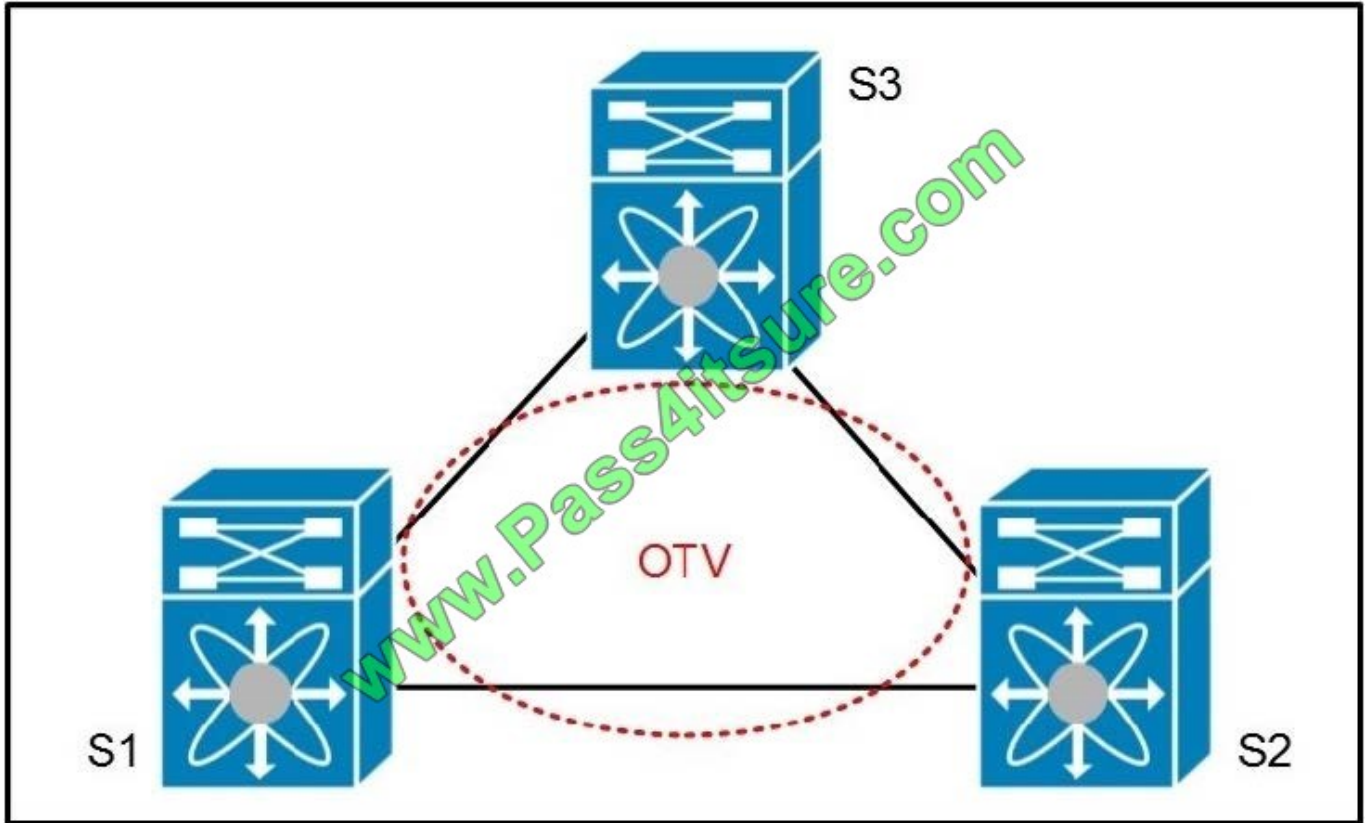
Which three items represent features of Cisco Virtual Port Channels? (Choose three)

- A. Single control plane
- B. Dual control planes
- C. vPC appears as one switch to downstream switches
- D. vPC appears as two switches to downstream switch
- E. Etherchannel protocols include Static, LACP
- F. channel protocols include Static, PAgP, PAgP+, LACP

Correct Answer: ACE

QUESTION 4

Refer to the exhibit.



Assume that all deployed switches are with Supervisor 1 and M-Series line cards.

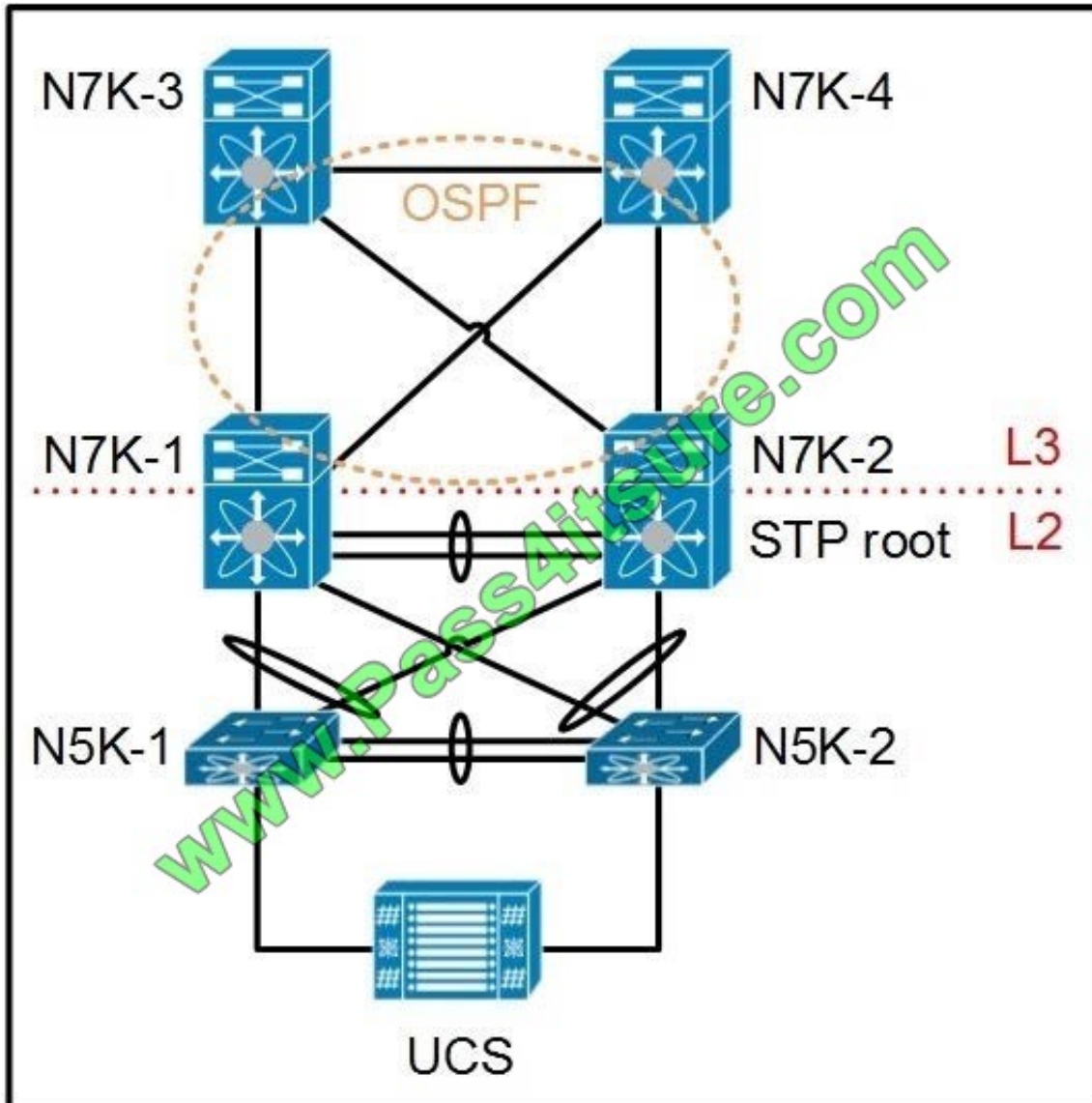
Which statement about the implementation of Cisco FabricPath in the core at sites S1 and S2 is true?

- A. Site S3 should also have FabricPath implemented to ensure optimal traffic flows.
- B. An upgrade to Supervisor 2E is required for FabricPath support.
- C. Installation of additional linecards such as F2 or F2e linecards is required.
- D. OTV and FabricPath cannot coexist on the same switch due to differences in frame formats.

Correct Answer: C

QUESTION 5

Refer to the exhibit.



Which four options are Cisco best practices that should be included or implemented in the design for resiliency, deterministic behavior, and fast convergence in case of link failures? (Choose four.)

- A. Add additional OSPF adjacency between N7K-1 and N7K-2 via dedicated Layer 3 link.
- B. Configure vPC peer-gateway in the vPC domain between N7K-1 and N7K-2.
- C. Use point-to-point OSPF adjacencies.
- D. Place the primary FHRP role on N7K-1.
- E. Configure Layer 3 port channels between all N7K devices.
- F. N7K-3 and N7K-4 must be the OSPF designated routers.
- G. Place the primary FHRP role on N7K-2.
- H. All OSPF adjacencies should be between loopback interfaces.

Correct Answer: ABCG



VCE & PDF

Pass4itSure.com

<https://www.pass4itsure.com/300-160.html>

2022 Latest pass4itsure 300-160 PDF and VCE dumps Download

[300-160 PDF Dumps](#)

[300-160 Study Guide](#)

[300-160 Braindumps](#)



To Read the [Whole Q&As](#), please purchase the [Complete Version](#) from [Our website](#).

Try our product !

100% Guaranteed Success

100% Money Back Guarantee

365 Days Free Update

Instant Download After Purchase

24x7 Customer Support

Average 99.9% Success Rate

More than 800,000 Satisfied Customers Worldwide

Multi-Platform capabilities - [Windows](#), [Mac](#), [Android](#), [iPhone](#), [iPod](#), [iPad](#), [Kindle](#)

We provide exam PDF and VCE of Cisco, Microsoft, IBM, CompTIA, Oracle and other IT Certifications. You can view Vendor list of All Certification Exams offered:

<https://www.pass4itsure.com/allproducts>

Need Help

Please provide as much detail as possible so we can best assist you.

To update a previously submitted ticket:



 <p>One Year Free Update Free update is available within One Year after your purchase. After One Year, you will get 50% discounts for updating. And we are proud to boast a 24/7 efficient Customer Support system via Email.</p>	 <p>Money Back Guarantee To ensure that you are spending on quality products, we provide 100% money back guarantee for 30 days from the date of purchase.</p>	 <p>Security & Privacy We respect customer privacy. We use McAfee's security service to provide you with utmost security for your personal information & peace of mind.</p>
---	---	--

Any charges made through this site will appear as Global Simulators Limited.

All trademarks are the property of their respective owners.

Copyright © pass4itsure, All Rights Reserved.