



210-010^{Q&As}

VCE Vblock™ Systems Deployment and Implementation - Core Exam

Pass VCE 210-010 Exam with 100% Guarantee

Free Download Real Questions & Answers **PDF** and **VCE** file from:

<https://www.pass4itsure.com/210-010.html>

100% Passing Guarantee
100% Money Back Assurance

Following Questions and Answers are all new published by VCE Official Exam Center

-  **Instant Download** After Purchase
-  **100% Money Back** Guarantee
-  **365 Days** Free Update
-  **800,000+** Satisfied Customers





QUESTION 1

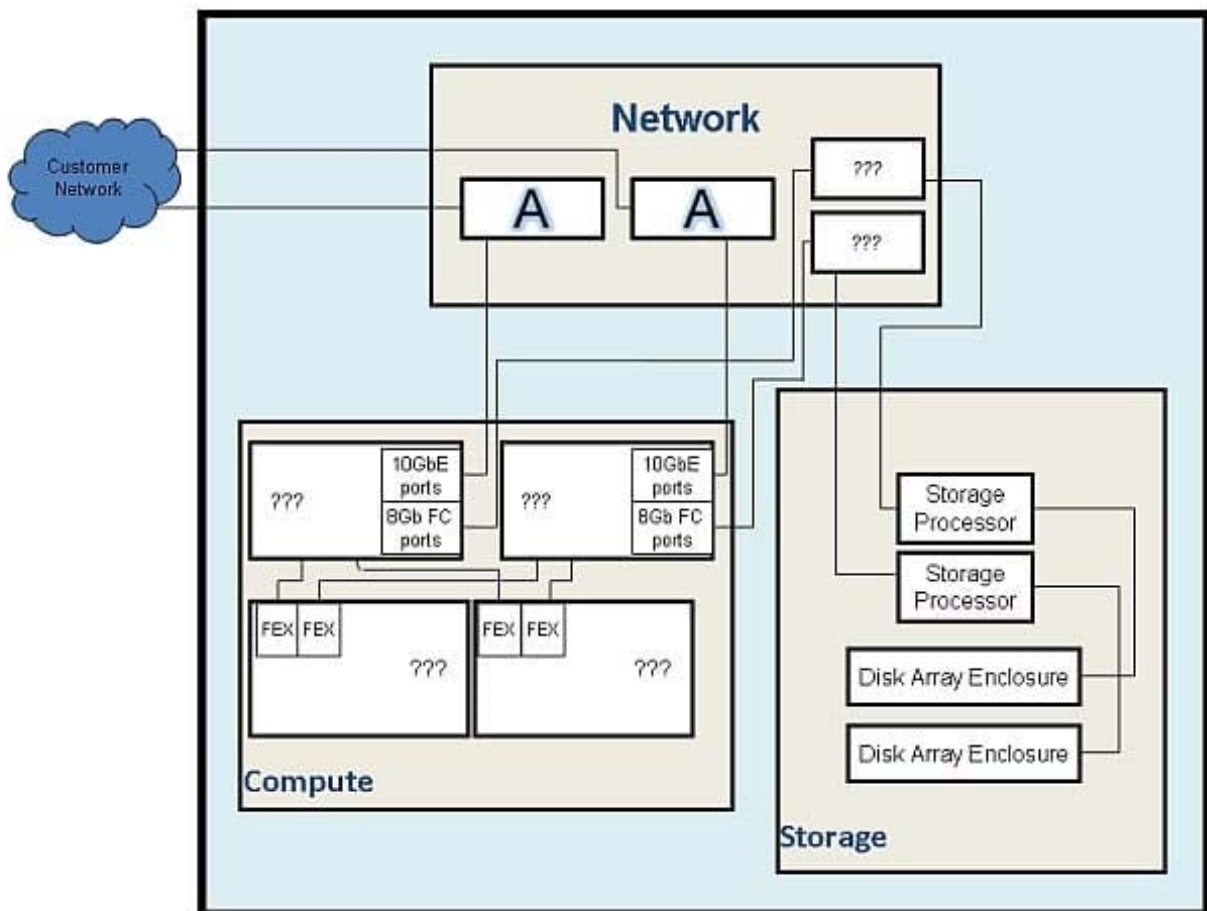
Which two steps are required to complete a Cisco UCS Smart Call Home registration on a Vblock System? (Choose two.)

- A. After receiving the e-mail response from Cisco, click the link in the e-mail to complete registration for Smart Call Home.
- B. Select "Send System Inventory Now" in UCSM.
- C. Configure UCSM to send periodic system inventory messages.
- D. Configure the SNMP trap destination.

Correct Answer: AB

QUESTION 2

-- Exhibit --





-- Exhibit -Click the Exhibit button.

Referring to the exhibit, which Vblock System 320 component is "A"?

- A. Cisco Nexus 5000 Series switch
- B. Cisco Chassis containing blade servers
- C. UCS fabric interconnect
- D. Cisco MDS switches

Correct Answer: A

QUESTION 3

You are assigned to deploy a new host in a Vblock System, with block storage attached. Which type of zoning would be performed on the Cisco 9148 switch to accomplish this task?

- A. port zoning
- B. WWPN zoning
- C. symbolic node name zoning
- D. WWNN zoning

Correct Answer: B

QUESTION 4

Which two statements are correct regarding VCE implementation of a persistent scratch partition? (Choose two.)

- A. You must configure a persistent scratch partition on the boot-from-SAN VMFS data store.
- B. You must configure a persistent scratch partition on the boot-from-SAN NFS data store.
- C. Vblock Systems use centralized monitoring with syslog and SNMP in place of a persistent scratch location.
- D. VCE uses the persistent scratch partition to ensure that critical log files are available.

Correct Answer: AD

QUESTION 5

How many Cisco UCS C220 servers are used in a Vblock System mini Advanced Management Pod (mini-AMP)?

- A. 1
- B. 2



C. 3

D. 4

Correct Answer: A

[210-010 PDF Dumps](#)

[210-010 Practice Test](#)

[210-010 Exam Questions](#)