



210-010^{Q&As}

VCE Vblock™ Systems Deployment and Implementation - Core Exam

Pass VCE 210-010 Exam with 100% Guarantee

Free Download Real Questions & Answers **PDF** and **VCE** file from:

<https://www.pass4itsure.com/210-010.html>

100% Passing Guarantee
100% Money Back Assurance

Following Questions and Answers are all new published by VCE Official Exam Center

-  **Instant Download** After Purchase
-  **100% Money Back** Guarantee
-  **365 Days** Free Update
-  **800,000+** Satisfied Customers





QUESTION 1

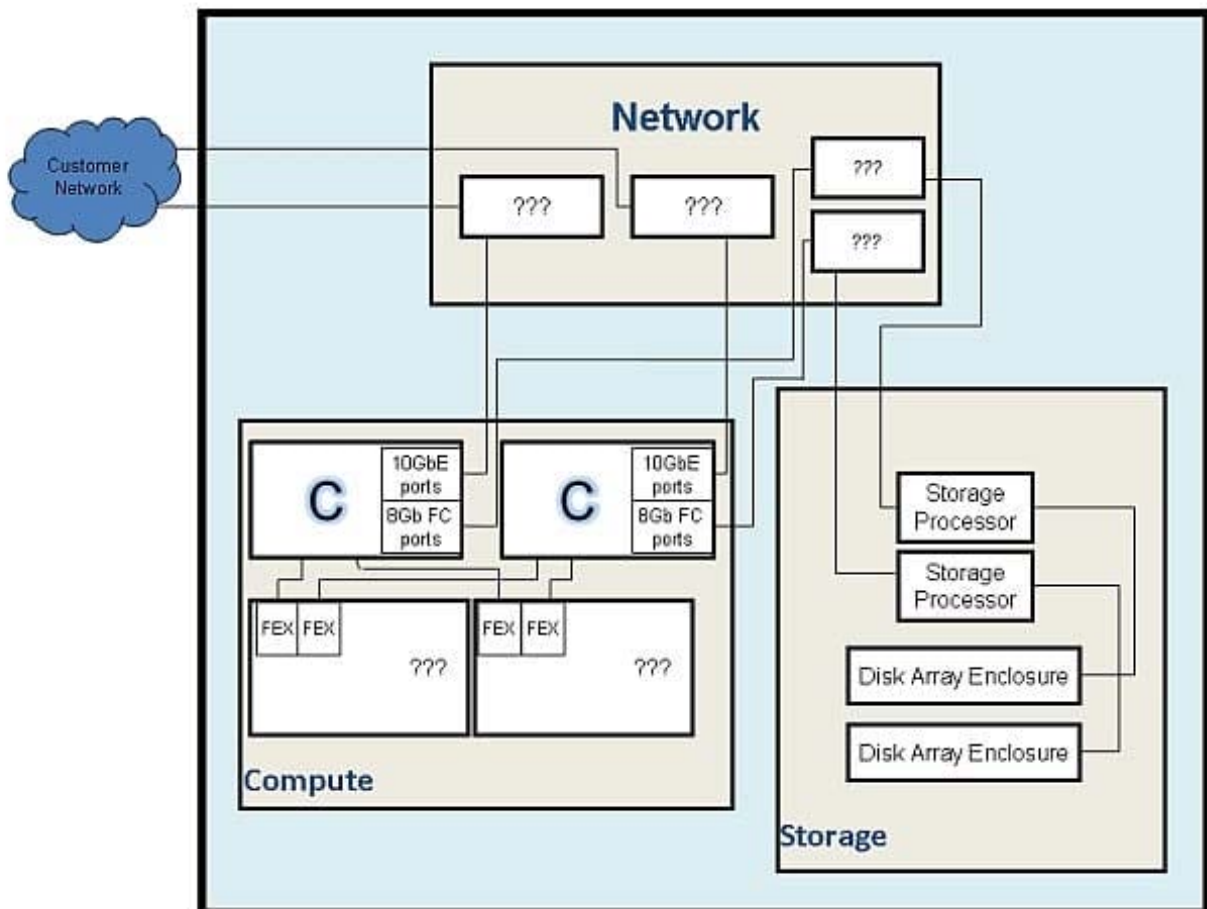
What are two expected results of the VMware vMotion test plan conducted by VCE at the completion of a Vblock System build? (Choose two.)

- A. No unexpected errors or faults occur.
- B. The secondary VSM takes over from the primary VSM.
- C. There will be minimal packet loss during vMotion.
- D. Traffic fails over to the redundant port channel each time a port-channel is disabled.

Correct Answer: AC

QUESTION 2

-- Exhibit -



-- Exhibit -Click the Exhibit button.



Referring to the exhibit, which Vblock System 320 component is "C"?

- A. Cisco Nexus Switch
- B. Cisco MDS Switch
- C. Cisco UCS fabric interconnect
- D. Cisco fabric extender

Correct Answer: C

QUESTION 3

Which two storage connectivity types are associated with block level access? (Choose two.)

- A. NFS
- B. iSCSI
- C. CIFS
- D. FCP

Correct Answer: BD

QUESTION 4

VCE support asks you to collect VMware diagnostic logs from an ESXi host.

Which two management tools would you use to accomplish this task? (Choose two.)

- A. vSphere Client connected to ESXi host
- B. VMware Update Manager (VUM) server
- C. vSphere client connected to vCenter Server
- D. VMware vCenter SQL database

Correct Answer: AC

QUESTION 5

What information would be obtained about vmfs data stores under the Summary tab while connected to a host in vSphere client? (Choose two.)

- A. multipathing status for the data store
- B. snapshots



C. hardware acceleration status events

D. alarm actions status for the data store

Correct Answer: CD

[Latest 210-010 Dumps](#)

[210-010 VCE Dumps](#)

[210-010 Braindumps](#)