



# 1Y0-402<sup>Q&As</sup>

Citrix XenApp and XenDesktop 7.15 Assessment, Design and Advanced Configurations

## Pass Citrix 1Y0-402 Exam with 100% Guarantee

Free Download Real Questions & Answers **PDF** and **VCE** file from:

<https://www.pass4itsure.com/1y0-402.html>

100% Passing Guarantee  
100% Money Back Assurance

Following Questions and Answers are all new published by Citrix Official Exam Center

-  **Instant Download** After Purchase
-  **100% Money Back** Guarantee
-  **365 Days** Free Update
-  **800,000+** Satisfied Customers



**QUESTION 1**

Scenario: A Citrix Architect needs to implement a new XenDesktop environment for an engineering company. The IT team has purchased 1,000 XenDesktop Enterprise licenses. They will deploy Microsoft Office productivity applications to all users. Users access XenApp sessions from company offices using thin client devices and remotely through NetScaler Gateway using personal devices.

The company requires IT to produce a report of all XenApp sessions and connection failures for the previous month.

Which two actions does the architect need to take to support these requirements? (Choose two.)

- A. Implement NetScaler Management and Analytics System (MAS).
- B. Configure GroomFailuresRetentionDays to 31 days.
- C. Configure GroomSessionsRetentionDays to 31 days.
- D. Purchase NetScaler Gateway Universal licenses.
- E. Purchase XenDesktop Platinum licenses.

Correct Answer: AB

---

**QUESTION 2**

Scenario: A Citrix Architect needs to design a new XenApp and XenDesktop environment. While deploying Optimal HDX Routing for the customer, the architect makes the following configurations:

Authentication Gateway - AuthGW ?Logon.workspace.com - Authentication only New York Gateway - NYCGW ?Nycgw.workspace.com - HDX Routing only San Francisco Gateway - SFOGW ?Sfogw.workspace.com - HDX Routing only

Click the Exhibit button to view further details about the configuration.



Configure Store Settings - WWLabsStore

**StoreFront**

- User Subscriptions
- Kerberos Delegation
- Optimal HDX Routing**
- Advertise Store
- Advanced Settings

**Optimal HDX Routing**

HDX connections can be routed through gateways based on delivery controllers or XenApp/ XenDesktop zones. Typically resources should be mapped to the gateway that resides in the same geographical location or datacentre.

Optimal Gateway	External only <i>i</i>	Delivery Controllers	Zones <i>i</i>
Direct HDX connection <i>i</i>	N/A		
NYCGW	<input type="checkbox"/>	NewYork	
SFOGW	<input type="checkbox"/>	SanFrancisco	

Upon investigation of the load on the NetScalers, the architect determines that both internal and external HDX traffic flow through the NetScaler Gateways and the NetScalers are running at capacity.

Which PowerShell commandlet and parameter can help the architect address this issue until more NetScaler resources are procured?

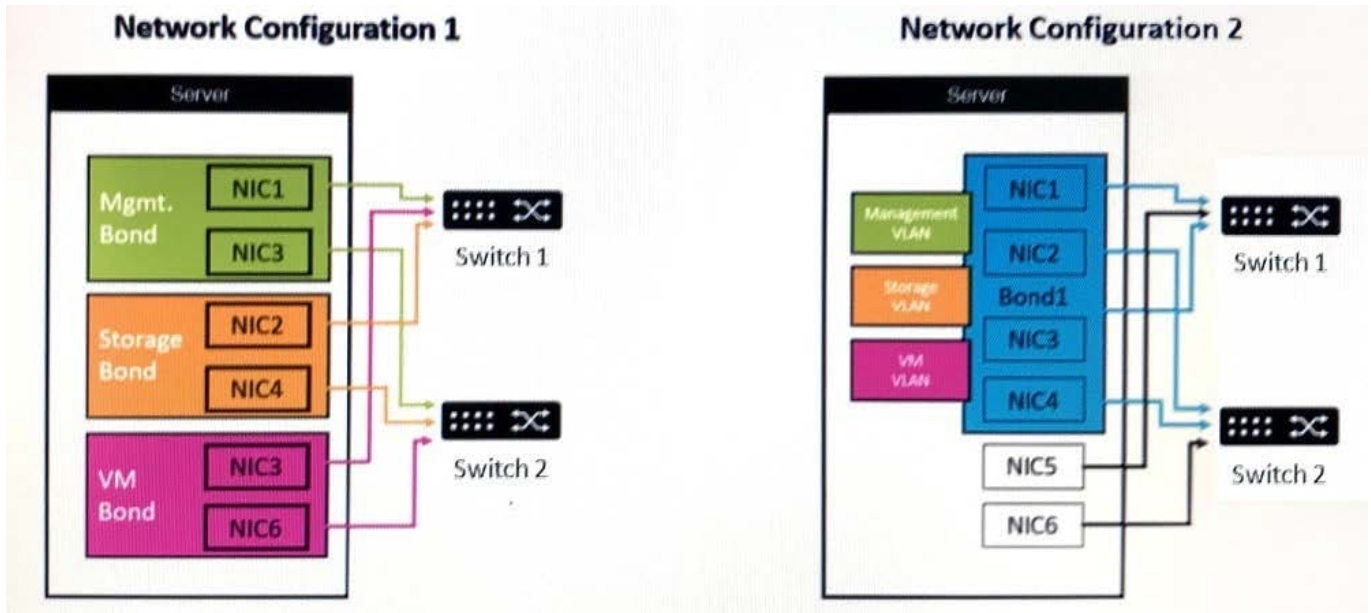
- A. Set-DSOptimalGatewayForFarms -onDirectAccess=false
- B. Set-STFCitrixAGBasicOptions -onDirectAccess=true
- C. Set-STFCitrixAGBasicOptions -onDirectAccess=false
- D. Set-DSOptimalGatewayForFarms -onDirectAccess=true

Correct Answer: A

### QUESTION 3

Scenario: A Citrix Architect is performing a XenApp and XenDesktop design. During a discussion with the server hardware team, two potential network configurations are proposed for the XenServer hosts.

Click the Exhibit button to view the network configurations.



Which statement will support a decision to use Network Configuration 1?

- A. It will ensure that virtual machine workloads do NOT interfere with each other.
- B. It will provide greater security for all traffic types.
- C. It will achieve a higher level of redundancy for the different traffic types.
- D. It will reserve more bandwidth for virtual machine traffic.

Correct Answer: C

**QUESTION 4**

Scenario: A Citrix Architect is designing a XenDesktop environment. The Engineer group requires the use of NVIDIA hardware with shared virtualized GPUs due to their use of graphical applications. Management wants to use the following components within the XenDesktop environment to meet these requirements:

NVIDIA GRID Tesla M60 GPUs Microsoft Hyper-V Server 2012 R2 Windows 7 virtual machines XenDesktop LTSR 7.15

Which component must the architect change in order to implement this use case?

- A. Windows 7 virtual machines
- B. NVIDIA GRID Tesla M60 GPUs
- C. XenDesktop LTSR 7.15
- D. Microsoft Hyper-V Server 2012 R2

Correct Answer: D



## QUESTION 5

Scenario: A Citrix Architect is designing an environment for a large company. The company has identified the following user groups and requirements.

Product Managers - Typically, they work from inside the company network but are able to work from home.

They need to use a variety of standard productivity and web-based SaaS applications.

Field Sales Engineers - They frequently work with mobile devices and tend to access the environment externally. They need access to sales tools and the front-end of the customer database.

Web Developers - Internal and remote workers who use specialized hardware with a graphics card to handle resource-intensive applications.

Which FlexCast model should the architect assign to Web Developers?

- A. VM Hosted Applications
- B. Published Apps
- C. Published Desktops
- D. Hosted VDI

Correct Answer: B

[Latest 1Y0-402 Dumps](#)

[1Y0-402 VCE Dumps](#)

[1Y0-402 Exam Questions](#)