



050-696^{Q&As}

Foundations of Novell Open Enterprise Server NetWare

Pass Novell 050-696 Exam with 100% Guarantee

Free Download Real Questions & Answers **PDF** and **VCE** file from:

<https://www.pass4itsure.com/050-696.html>

100% Passing Guarantee
100% Money Back Assurance

Following Questions and Answers are all new published by Novell
Official Exam Center

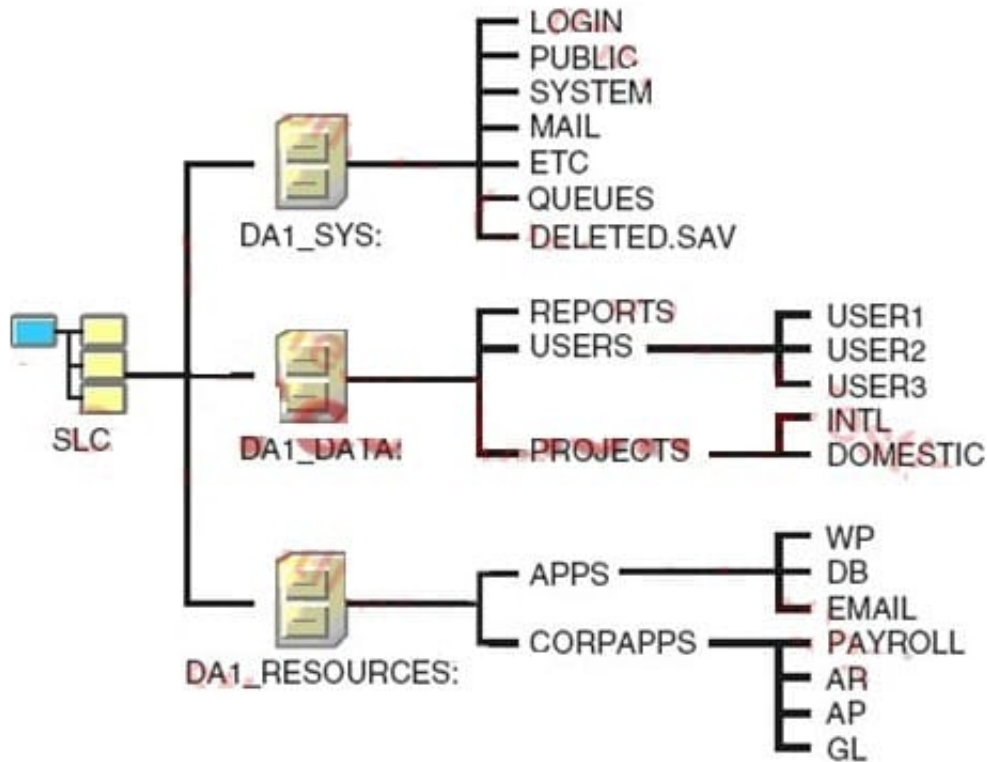
-  **Instant Download** After Purchase
-  **100% Money Back** Guarantee
-  **365 Days** Free Update
-  **800,000+** Satisfied Customers





QUESTION 1

Click the Exhibit button to begin.



Which of Novell's file system design guidelines for a NetWare server is violated in the exhibit?

- A. Users\ home directories should be moved to the SYS volume.
- B. The QUEUES directory should be moved to a volume other than SYS.
- C. The SYSTEM directory should be moved to the DATA volume or the RESOURCES volume.
- D. The APPS and the CORPAPPS directories should be moved to the same volume as users\ home directories.

Correct Answer: B

QUESTION 2

Which property right allows a trustee of an object to add or remove its name as a value of the object property?

- A. Read
- B. Write



- C. Modify
- D. Delete
- E. Browse
- F. Add Self
- G. Rename
- H. Compare
- I. File Scan
- J. Inheritable

Correct Answer: F

QUESTION 3

Your eDirectory user name is rhugie.SLC.DA, but your local workstation user name is randyh. Click on the option in the Novell Client that will allow you to enter your local user name and password.

Correct Answer: Windows

QUESTION 4

The _____ translates iPrint queries or commands into printer-specific language that a given printer can use.

- A. Broker
- B. Gateway
- C. Manager
- D. Print Queue
- E. Print Server
- F. Printer Agent

Correct Answer: B

QUESTION 5

Which of the following volume implementation strategies protects data by writing the same information redundantly to two or more hard disks at the same time?



- A. Parity
- B. Striping
- C. Spanning
- D. Mirroring

Correct Answer: D

[050-696 PDF Dumps](#)

[050-696 VCE Dumps](#)

[050-696 Study Guide](#)